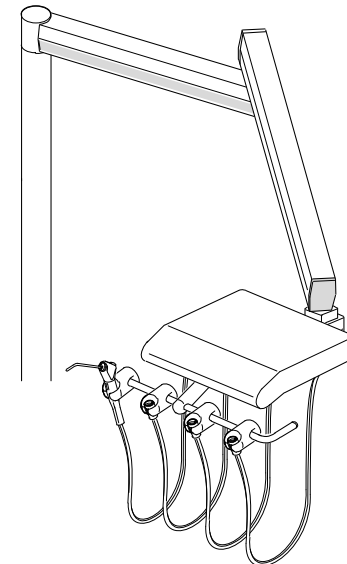




Committed To Innovation

**Installation Instructions for the
System 6000, Model #6515**



Contents

Checklist	Page 1
Install Post on Chair Mount Bracket	Page 1
Install Arm Assembly and Control Head, 40" Post	Page 2
Install Arm Assembly and Control Head, 22" Post	Page 3
Install Light Post Extension	Page 3
Install Floor Utility Sub-Assembly	Page 4
Make Tubing Connections in Floor Box	Page 4
Turn on System and Adjust	Page 5
Install Fiber Optic Handpiece Tubing	Page 6

- Remove the end cap from the rigid arm, as shown in **Figure 5** (1/8" hex key).
- In the open end of the rigid arm, locate the unused 1/8" orange line. This line is unconnected in the control head. Pull it out from the

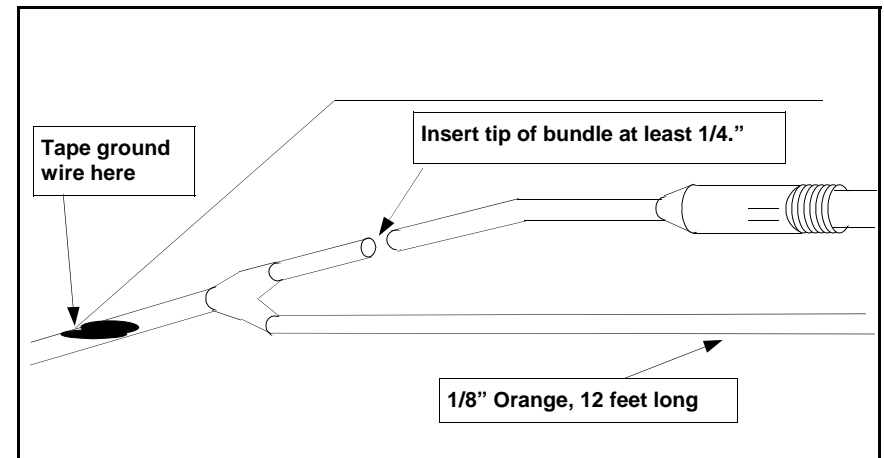


Figure 7

control head until it hangs free from the open end of the rigid arm (There are two 1/8" orange lines. The unused line is labelled "A" in the control head).

- One end of the fiber optic handpiece tubing has a nut attached. Hang the nut in one of the handpiece holders on the control head. Route the other end of the tubing (with the fiber optic bundle and ground wire) into the control head, through the hole indicated in **Figure 2**. Cut the handpiece tubing to the desired length and connect to the handpiece block.

Note:

Handle the fiber optic bundle with care. Excessive bending can damage the fibers.

- Route the fiber optic bundle and ground wire through the hole indicated in **Figure 2**, along the short control arm, through the knuckle at the end and along the bottom of the flex arm. Feed them through the knuckle at the end of the flex arm and bring them out through the open end of the rigid arm, next to the 1/8" orange tubing.
- Cut a short length of tubing from the 1/8" orange line (about 2").

the short control arm, as shown in **Figure 3** (3/32" hex key).

3. Remove the bottom access strip from the flex arm, as shown in **Figure 4** (5/64" hex key).

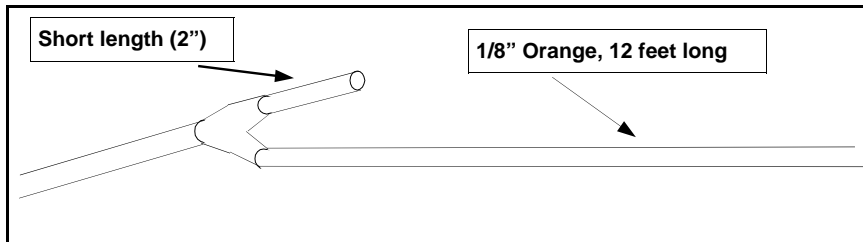


Figure 6

The 6515 system comes with the following items:

- ◆ Arm and control head assembly, with handpiece tubings and umbilical installed. The control head assembly also includes:
 - Stainless steel tray with non-skid pad
 - Deluxe Autoclavable syringe
- ◆ Floor utility sub-assembly, including:
 - Two manual shut-off valves, one for air, one for water
 - Two master shut-off valves
 - Two mini-regulators
- ◆ Mounting post, either 40" or 22"
- ◆ Wet/Dry foot control
- ◆ Optional light post extension kit.
- ◆ Chair adaptor

You will need the following tools and materials to install the system:

Level, preferably with built-in magnet
 5/32", 1/8", 1/4" and 3/16" hex keys
 3/32" ball driver (provided in syringe kit)
 1/4" and 1/8" tubing sleeves and sleeve tools.
 Teflon tape
 Large crescent wrench
 Appropriate hardware and tools to mount the chair adaptor.

1. **Install the chair adaptor.** Follow the chair manufacturer's recommendations.
2. **Install the post on the chair mount bracket (Figure 1).**

Place the post in the chair mount collar. Make sure the end of the post with the aluminum crush bearing goes into the collar.

With a level and a hex key, adjust the eight set screws in the chair

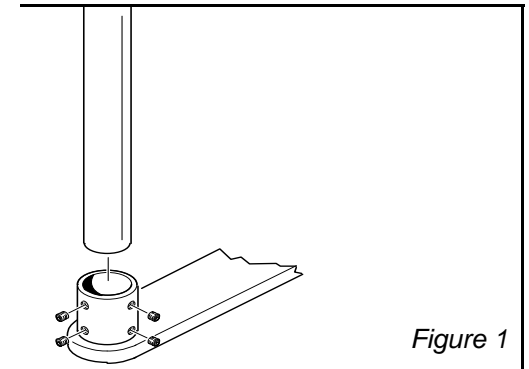


Figure 1

mount bracket to set the post in a perfectly vertical position.
Tighten the set screws.

- 3. Install the arm assembly and the control head on the mounting post.

WARNING

The arm assembly for this unit is spring loaded. Do not remove the shipping strap from the arm assembly until the unit is fully installed. Bodily injury could result from working with the arm assembly unrestrained.

- A. Follow these instructions if your system came with a 40" post and a post mounted flex arm (Figure 2).

If your system came with a 22" post and a top mounted flex arm (and optional light post extension kit), skip to section "B".

Leave the shipping strap on the arm assembly during installation.

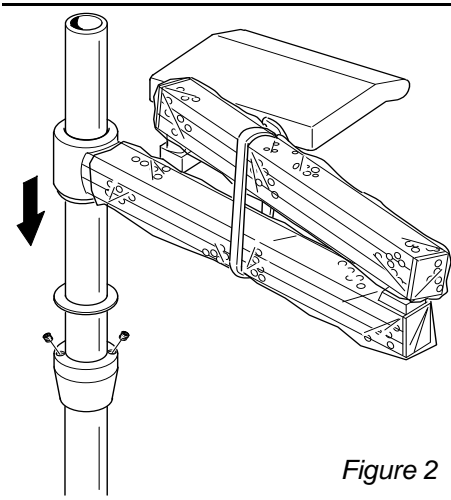


Figure 2

Slide the clamp over the post. Position the clamp at the desired height and tighten the set screws using a 3/32" hex key.

Slide the thrust washer over the post and down onto the top of the clamp.

Install the arm assembly on the post and slide it down on top of the thrust washer.

Route the umbilical from the rigid arm down to the floor box.

- B. 22" post and top mounted arm (Figure 3).

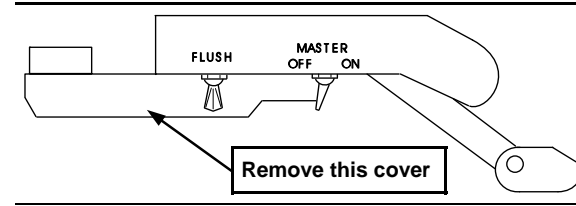


Figure 3

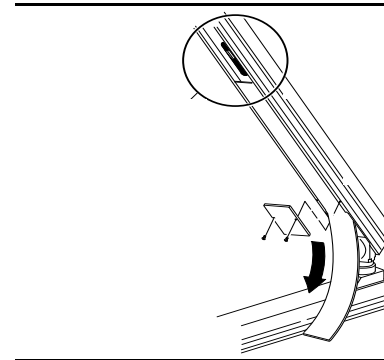


Figure 4

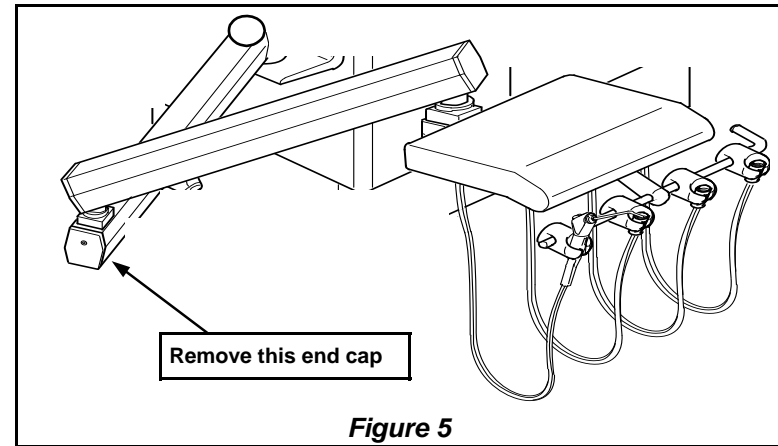


Figure 5

- 2.

Remove the cover from the bottom of

Instructions for Installing Fiber Optic Tubing Bundle in DCI 52" Flex Arm

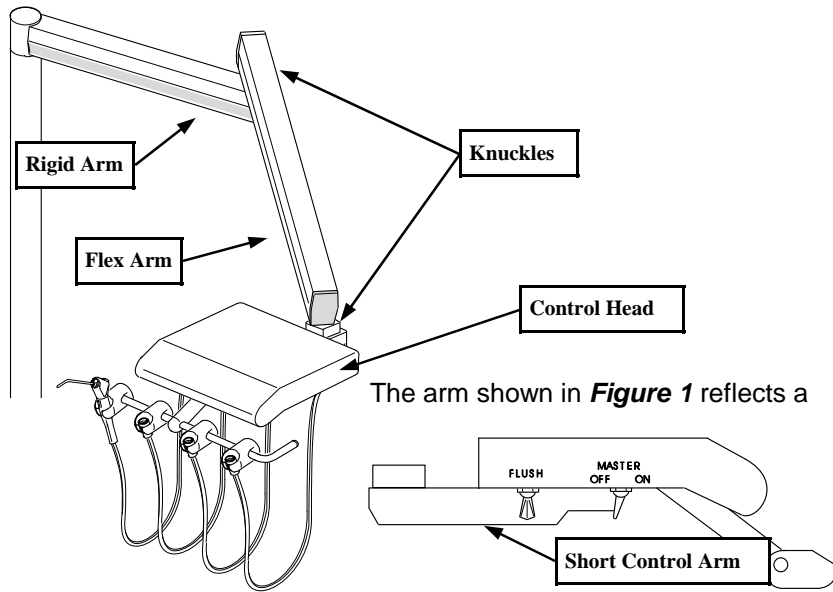


Figure 1

typical 52" flex arm, used in the production of the 6500. Terms identified in **Figure 1** will be used throughout the instruction.

To route a fiber optic bundle from the control head, through the arm and post, to the floor utility, begin by disassembling as follows:

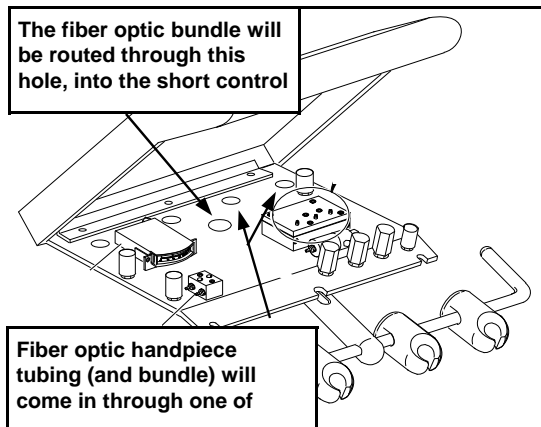


Figure 2

Leave the shipping strap on the arm assembly during installation.

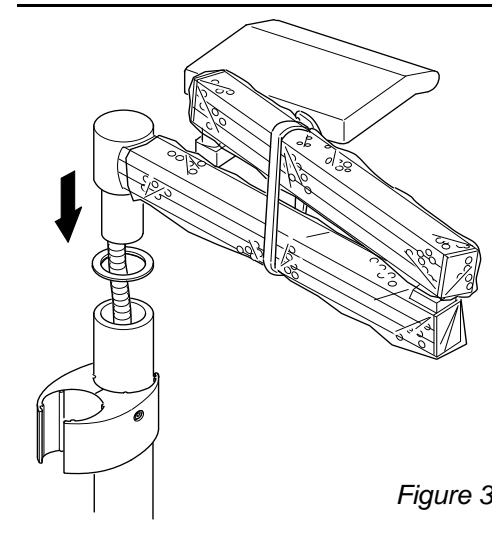


Figure 3

If you have a light post extension kit, slide the extension clamp over the mounting post before installing the arm.

Position the thrust washer over the bushing in the end of the mounting post.

Thread the umbilical from the end of the arm into the top of the post.

Slide the stud on the end of the arm through the washer and into the bushing in the top of the post.

Pull the umbilical out of the post through the hole and into the floor box.

5. To install the light post extension (Figure 4):

Insert the extension post into the extension clamp. Make sure the bushing for the top mounted light faces up. Position the extension clamp and post at the desired height on the mounting post.

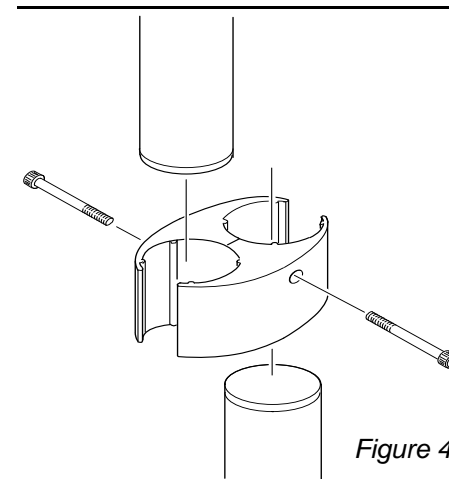


Figure 4

Tighten one set screw on each side of the clamp, using a 1/4" hex key.

6. Install the floor utility sub-assembly

Route the umbilical (and the floor utility sub-assembly) down to the

floor box. Thread the manual shut-off valves for air and water onto the air and water supply pipes (these should be sealed, for example with Teflon tape).

7. Make Tubing Connections in the floor box

Control Head

- ◆ 1/8" yellow from the control head to pilot air inlets. This line is labelled "5."
- ◆ 1/8" clear from the control head to unregulated air (at the master shut-off valve).
- ◆ 1/8" gray from the control head to regulated air (at the air regulator).
- ◆ 1/8" red from the control head to regulated water (at the water regulator).
- ◆ The 1/8" orange line, labelled "A", is unconnected in the control head. It can be used for any application. To use this line for a chip blower, see the section below on foot control connections.

Foot Control

Use figure 5 if your foot control has 4-hole tubing. Use figure 6 if it has 5-hole tubing.

Route the foot control tubing down to the floor box and connect:

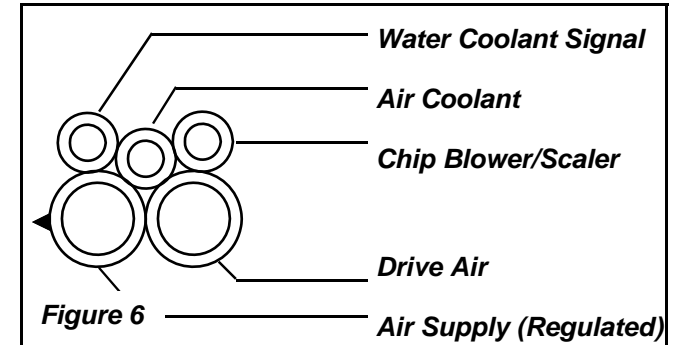
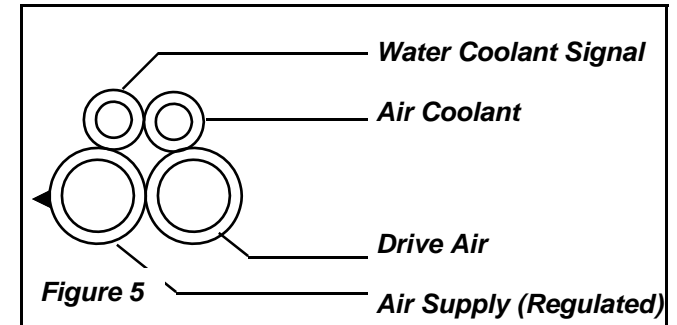
- ◆ 1/4" gray ribbed from foot control (air supply) to regulated air (at the air regulator).
- ◆ 1/4" gray unribbed from foot control (drive air) to 1/4" gray from the control head. Both of these lines are labelled "1."
- ◆ 1/8" water coolant signal line from foot control to 1/8" orange from the control head. Both of these lines are labelled "3."
- ◆ 1/8" air coolant line from the foot control to 1/8" white from the control head. Both of these lines are labelled "2."
- ◆ 1/8" chip blower/scaler line from foot control to the unconnected 1/8" orange line from the control head (if applicable). This line is labelled "A." If used for a chip blower, connect to air coolant in the control head.

8. Remove the shipping strap and wrapping from the arm.

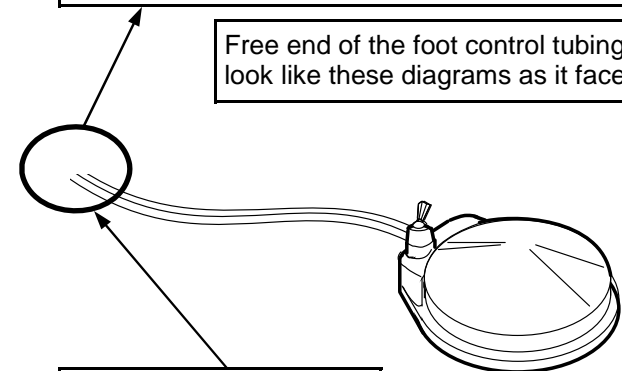
9. Turn On and Adjust Air and Water Supply

Open the manual shut-off valves in the floor box. Adjust regulated air to 80 psi, and regulated water to 40 psi. The mini-regulators in

the floor box are non-relieving. When adjusting for a lower pressure, make the knob adjustment, then press the syringe button to relieve pressure and give an accurate gauge reading.



Free end of the foot control tubing will look like these diagrams as it faces



Route the free end of the foot control tubing through the bottom of the PMU.