



# IMPROVE & MAINTAIN | THE DENTAL OFFICE



ORDER 24 HOURS / DAY

[www.dcionline.com](http://www.dcionline.com)[customerservice@dcionline.com](mailto:customerservice@dcionline.com)

503-538-9302

Or place orders from  
5:00 A.M. to 5:00 P.M. (PST):

Phone: 800-624-2793

Fax: 503-538-9302

Email: [customerservice@dcionline.com](mailto:customerservice@dcionline.com)

*\*For specials or custom configuration of standard product, please call or email for price quote.*

### DCI OFFERS LOWER SHIPPING COSTS!

Orders received by 4 P.M. (PST) are shipped the same day. Most orders are shipped via UPS 3-day delivery. You pay only the UPS Ground rate and DCI pays the difference! Delivery Systems are shipped via UPS Ground or via Freight.

### Terms

Net 30 days on approved accounts; Visa, Mastercard or American Express can be used until credit is approved.



Amy

John

Jason

## FAMILY OPERATED SINCE 1983

DCI is a family-operated company spanning two generations, based in Newberg, Oregon, the heart of dental equipment manufacturing in America.





●	DCI RELIANCE OPERATORY EQUIPMENT	1-60
●	OPERATORY ACCESSORIES	61-68
●	HANDPIECE ACCESSORIES & POWER OPTICS	69-82
●	SYRINGES	83-96
●	VACUUM COMPONENTS	97-116
●	MOUNTS, ARMS & HOLDERS	117-134
●	FOOT CONTROLS	135-144
●	REGULATORS, FILTERS & VALVES	145-172
●	FITTINGS	173-192
●	TUBING	193-200
●	SERVICE, CABINET & ANALGESIA	201-226
●	DELIVERY SYSTEM PARTS	227-258
●	LIGHT PARTS & BULBS	259-276
●	CHAIR PARTS	277-288
●	COMPRESSOR & VACUUM PARTS	289-308
●	STERILIZER PARTS	309-324
●	SCALER PARTS	325-332
●	INDEX	333-346
●	CROSS REFERENCE	347-360

DCI's Customer & Technical Service Team is committed to providing the best service and solving your challenges quickly. Serving customer needs always comes first. From ensuring on-time delivery to answering product-related questions, we are here to support you.

### HOW TO CONTACT US



1-800-624-2793  
INTL: 503-538-1735



customerservice@dcionline.com  
techsupport@dcionline.com  
international@dcionline.com



503-376-8440

### CUSTOMER SERVICE SUPERVISORY TEAM



**Jen Boardman**  
Years with DCI: 9



**Jeff Porth**  
Years with DCI: 4



**Jennifer Hallmark**  
Years with DCI: 2

### TECHNICAL SUPPORT



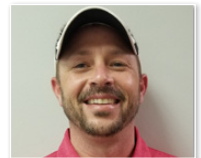
**Walter Beard**  
Years with DCI: 21



**Garrett Stevenson**  
Years with DCI: 6



**Esmeralda Tinoco**  
Years with DCI: 5



**Brandon Mckee**  
Years with DCI: 5



**Richard Onepo**  
Years with DCI: 4



**Jeff Hudson**  
Years with DCI: 2



**Justin Taylor**  
Years with DCI: 1



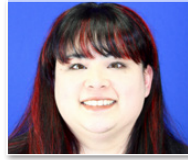
CUSTOMER SERVICE



**Crystal Schultz**  
Years with DCI: 15



**Monica Salas**  
Years with DCI: 11



**Kimi Williams**  
Years with DCI: 8



**Rosa Gonzalez**  
Years with DCI: 6



**Jess Hodges**  
Years with DCI: 5



**Jonathan Siegel**  
Years with DCI: 5



**June Smith**  
Years with DCI: 5



**Alison Webber**  
Years with DCI: 4



**Lori Beelert**  
Years with DCI: 3



**Garrett Crump**  
Years with DCI: 2



**Haily Windell**  
Years with DCI: 1



**Kevin Carlson**  
Years with DCI: 1



**Katie Tucker**  
Years with DCI: 1



**Kris Tripp**  
Years with DCI: 1



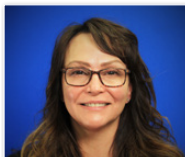
**Jesse Groat**  
Years with DCI: 1



**Jason Mitchell**  
Years with DCI: 1



**Pam Roeben**  
Years with DCI: 1



**Patricia Basye**  
Years with DCI: 1



# Reliance Operator Equipment



Chair-Mounted  
Delivery Systems

2-9

Post Mount Light

10-11

Stools & Carts

12-21

Side Delivery

22-23

Arm & Cabinet Mounted  
Delivery Systems

24-41

Compact  
Delivery Units

42-45

Panel & Horizontal  
Mounted Units

46-49

OEM Replacements

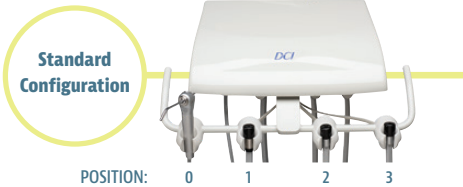
50-52

Auxiliary QD Panel  
& Lab Kit

53

Dimensional Drawings  
& Illustrated Parts  
Breakdown

54-59



Configuration shown		
RS4000	Reliance Swing Mount Pole w/ Auto Dental Unit & Light Pole	\$5,020.00
RP4000	Reliance Post Mount LED Light	\$2,810.00
R4768	Reliance Light Post Assembly, 24", White	\$240.00
Step 5	Chair Mount Adapter	\$410.00
		<b>\$8,480.00</b>

- Upfit your delivery system with the ability to accommodate left and right-handed dentistry.

✓ - Standard Features    ☐ - Choose Your Option

	Part Number	Retail Price	TOTAL
<b>Step 1 Select Your Delivery System &amp; Color</b>			
Reliance Swing Mount Pole w/Auto Dental Unit & Accessory Pole Complete Steps 1 thru 5	<input type="checkbox"/> RS4000	White	\$5,020.00
	<input type="checkbox"/> RS4050	Gray	\$5,020.00
Reliance Swing Mount Pole w/Auto Dental Unit Complete Steps 1, 2, 3, 5	<input type="checkbox"/> RS4001	White	\$4,380.00
	<input type="checkbox"/> RS4051	Gray	\$4,380.00
Reliance Swing Mount Accessory Pole Only Complete Steps 1, 4, 5	<input type="checkbox"/> RS4002	White	\$1,410.00
	<input type="checkbox"/> RS4052	Gray	\$1,410.00



## Step 2 Configure Your Control Head Options

	(All tubings are Sterling. If nothing is selected - highlighted positions will be used)	Part Number	Handpiece Positions					Retail Price	TOTAL
			0	1	2	3	4		
<input checked="" type="checkbox"/>	DCI Precision Comfort Syringe and tubing							Included	
<input checked="" type="checkbox"/>	HP Tubing 4 Hole Asepsis							Included	
<input type="checkbox"/>	ISO-C 6-Pin Deluxe 3 HP Illumination System (Includes a 9483 tubing)	9885						\$530.00	
<input type="checkbox"/>	ISO 5-Hole Deluxe 3 HP Illumination System (Includes a 9978 tubing)	9889						\$620.00	
<input type="checkbox"/>	ISO-C 6-Pin Standard 2 HP Illumination System (Includes a 9483 tubing)	9905						\$280.00	
<input type="checkbox"/>	ISO 5-Hole Standard 2 HP Illumination System (Includes a 9978 tubing)	9900						\$370.00	
<input type="checkbox"/>	ISO-C 6-Pin Economy HP Illumination System (Includes a 9483 tubing)	9876						\$230.00	
<input type="checkbox"/>	ISO 5-Hole Economy HP Illumination System (Includes a 9978 tubing)	9881						\$320.00	
<input type="checkbox"/>	Additional ISO-C 6-Pin Tubing Option for Illumination Systems	9483						\$174.00	
<input type="checkbox"/>	Additional ISO 5-Hole Tubing Option for Illumination Systems	9978						\$174.00	
<input type="checkbox"/>	Delete HP Position 3	4344						-\$40.00	
<input type="checkbox"/>	Add HP Position (Position 4) Includes Block, Water Valve, Holder & HP Tubing	4467 White/ 4468 Gray						\$200.00	
<input checked="" type="checkbox"/>	Stainless Steel Tray and Non-Skid Pad							Included	
<input checked="" type="checkbox"/>	Wet/Dry Foot Control							Included	
<input checked="" type="checkbox"/>	Handpiece Flush							Included	
<input type="checkbox"/>	Add scaler / chip air button to foot control	4346						\$80.00	

## Step 3 Configure Your Utilities Options

		Part Number	Retail Price	TOTAL
<b>Step 3A Configure Your Water System</b>				
<input checked="" type="checkbox"/>	Self-Contained Water System w/ Quick Switch 1L Bottle		Included	
<input type="checkbox"/>	Delete Self Contained Water System and Bottle	4350	-\$260.00	
<b>Step 3B Configure Your Junction Box and Utilities</b>				
<input checked="" type="checkbox"/>	6' Umbilical Tubing		Included	
<input type="checkbox"/>	Additional Umbilical Length Per Foot, includes sheath tubing - Qty____	R24962A	\$50.00	
<input checked="" type="checkbox"/>	Asepsis Utility Center and Valves		Included	
<input type="checkbox"/>	Delete Asepsis Utility Center and Valves	4347	-\$310.00	

## Step 4 Configure Your Accessory Pole

		Part Number	Retail Price	TOTAL
<input type="checkbox"/>	Reliance Post Mount LED Light (Requires Light Post R4768/R4766)	RP4000 White / RP4050 Gray	\$2,810.00	
<input type="checkbox"/>	Reliance Light Post Assembly, 24", w/ Adapter	R4768 White / R4766 Gray	\$240.00	
<input type="checkbox"/>	Telescoping Assistant's Arm, 4 Position, (Requires 5380 & 8489/8249)	5377 White / 5376 Gray	\$569.30	
<input type="checkbox"/>	Precision Comfort Assistant's Package, HVE, SE, SYR	5380	\$300.20	
<input type="checkbox"/>	Additional Extended Vacuum Valve and Tubing	R52892G	\$100.00	
<input type="checkbox"/>	Post Top Mount, 2"	8489 White / 8294 Gray	\$141.30	
<input type="checkbox"/>	Flat Panel Monitor Top Mount (In place of light)	4924 White / 4824 Gray	\$500.00	

## Step 5 Select Your Chair Mount Adapter (Required)

		Part Number	Retail Price	TOTAL
<input type="checkbox"/>	To Fit A-dec® Cascade® 1040	R4489	\$410.00	
<input type="checkbox"/>	To Fit A-dec® Priority 1005 & 1010	R4498	\$410.00	
<input type="checkbox"/>	To Fit A-dec® Decade® 1020, 1021 & 1015	R9246	\$410.00	
<input type="checkbox"/>	To Fit Belmont Bel 20/50/Celebrity	R4492	\$410.00	
<input type="checkbox"/>	To Fit Belmont AcuTrac	R4501	\$410.00	
<input type="checkbox"/>	To Fit Marus™ DC1490, DC1690, DC1700, DC1702	R4491	\$410.00	
<input type="checkbox"/>	To Fit Pelton 1500, 1800, 2000, 3000, 1700	R4489	\$410.00	
<input type="checkbox"/>	To Fit DCI Equipment 1235	R4491	\$410.00	
			Sub-total	
			QTY	
			TOTAL	

• Call Customer Service for Adapters not listed

A-dec®, Cascade®, Decade® and A-dec 500® are registered trademarks of A-dec, Inc. DCI has no affiliation with A-dec and A-dec has not authorized DCI replacement parts to be used on or in connection with A-dec® products.



Configuration shown		
RO4100	Reliance Over the Patient Dental Unit with Cuspidor & PMU	\$4,960.00
RP4000	Reliance Post Mount LED Light	\$2,810.00
R4042	Reliance Light Post Assembly, 30"	\$260.00
R52906W	Telescoping Assistant's Arm	\$640.00
Step 5	Chair Mount Adapter	\$410.00
		<b>\$9,080.00</b>

- Upfit your delivery system without the expense of a new chair.
- The Reliance Delivery System is designed to mount to most dental chairs.

✓ - Standard Features    ☐ - Choose Your Option

		Part Number	Retail Price	TOTAL
<b>Step 1 Select Your Delivery System &amp; Color</b>				
Reliance Over the Patient Dental Unit with Cuspidor & PMU	<input type="checkbox"/>	RO4100	White	\$4,960.00
	<input type="checkbox"/>	RO4150	Gray	\$4,960.00
Reliance Over the Patient Automatic Dental Unit with PMU	<input type="checkbox"/>	RO4000	White	\$4,430.00
	<input type="checkbox"/>	RO4050	Gray	\$4,430.00





# CHAIR-MOUNTED DELIVERY SYSTEMS RELIANCE POST MOUNT



## Step 2 Configure Your Control Head Options

	(All tubings are Sterling. If nothing is selected - highlighted positions will be used)	Part Number	Handpiece Positions					Retail Price	TOTAL
			0	1	2	3	4		
<input checked="" type="checkbox"/>	DCI Precision Comfort Syringe and tubing							Included	
<input checked="" type="checkbox"/>	HP Tubing 4 Hole Asepsis							Included	
<input type="checkbox"/>	ISO-C 6-Pin Deluxe 3 HP Illumination System (Includes a 9483 tubing)	9885						\$530.00	
<input type="checkbox"/>	ISO 5-Hole Deluxe 3 HP Illumination System (Includes a 9978 tubing)	9889						\$620.00	
<input type="checkbox"/>	ISO-C 6-Pin Standard 2 HP Illumination System (Includes a 9483 tubing)	9905						\$280.00	
<input type="checkbox"/>	ISO 5-Hole Standard 2 HP Illumination System (Includes a 9978 tubing)	9900						\$370.00	
<input type="checkbox"/>	ISO-C 6-Pin Economy HP Illumination System (Includes a 9483 tubing)	9876						\$230.00	
<input type="checkbox"/>	ISO 5-Hole Economy HP Illumination System (Includes a 9978 tubing)	9881						\$320.00	
<input type="checkbox"/>	Additional ISO-C 6-Pin Tubing Option for Illumination Systems	9483						\$174.00	
<input type="checkbox"/>	Additional ISO 5-Hole Tubing Option for Illumination Systems	9978						\$174.00	
<input type="checkbox"/>	Delete HP Position 3	4344						-\$40.00	
<input type="checkbox"/>	Add HP Position (Position 4) Includes Block, Water Valve, Holder & HP Tubing	4467 White/ 4468 Gray						\$200.00	
<input checked="" type="checkbox"/>	Stainless Steel Tray and Non-Skid Pad							Included	
<input checked="" type="checkbox"/>	Wet/Dry Foot Control							Included	
<input checked="" type="checkbox"/>	Handpiece Flush							Included	
<input type="checkbox"/>	Add scaler / chip air button to foot control	4346						\$80.00	

## Step 3 Configure Your Post Mounted Utility Center Options

		Part Number	Retail Price	TOTAL
<b>Step 3A Assistant's Package</b>				
<input type="checkbox"/>	Telescoping Arm w/ 4 Position Holder, 1 Syringe, 1 HVE & 1 SE	R52906W White / R52906G Gray	\$640.00	
<input type="checkbox"/>	Additional Extended Vacuum Valve and Tubing	R52892G	\$100.00	
<input type="checkbox"/>	Autoclavable Dry Oral Cup	5840	\$30.00	
<b>Step 3B Water System</b>				
<input checked="" type="checkbox"/>	Self Contained Water System with 2 Liter Bottle		Included	
<input type="checkbox"/>	Delete Self Contained Water System and Bottle	4350	-\$260.00	
<input checked="" type="checkbox"/>	Air QD and Water QD with flow control		Included	
<b>Step 3C Junction Box and Utilities</b>				
<input checked="" type="checkbox"/>	6' Umbilical Tubing		Included	
<input type="checkbox"/>	Additional Umbilical Length Per Foot, includes sheath tubing - Qty____	R24875A	\$50.00	
<input checked="" type="checkbox"/>	Asepsis Utility Center and Valves		Included	
<input type="checkbox"/>	Delete Asepsis Utility Center and Valves	4347	-\$310.00	

## Step 4 Configure Your Light

		Part Number	Retail Price	TOTAL
<input type="checkbox"/>	No Light On Unit (Standard)		N/C	
<input type="checkbox"/>	Post Mount Reliance LED Light (Requires Light Post)	RP4000 White / RP4050 Gray	\$2,810.00	
<input type="checkbox"/>	Light Post With P&C Bushing , 30"	R4042 White / R4767 Gray	\$260.00	

## Step 5 Select Chair Mount Adapter

		Part Number	Retail Price	TOTAL
<input type="checkbox"/>	To Fit A-dec® Cascade® 1040	8522	\$410.00	
<input type="checkbox"/>	To Fit A-dec® Priority 1005 & 1010	8515	\$410.00	
<input type="checkbox"/>	To Fit A-dec® Decade® 1020, 1021 & 1015	8500	\$410.00	
<input type="checkbox"/>	To Fit A-dec 500®	8538	\$410.00	
<input type="checkbox"/>	To Fit Belmont Bel 20,50/Celebrity/Westar 2001 & 5000/LSM DC-1000 & CoHo	8493	\$410.00	
<input type="checkbox"/>	To Fit Belmont AcuTrac	8917	\$410.00	
<input type="checkbox"/>	To Fit DentalEZ® E3000	8552	\$410.00	
<input type="checkbox"/>	To Fit DentalEZ® Advantage E2000	8919	\$410.00	
<input type="checkbox"/>	To Fit Marus™ Pro/DCI Equipment	8561	\$410.00	
<input type="checkbox"/>	To Fit Pelton Spirit/Schein Empire	8918	\$410.00	
<input type="checkbox"/>	To Fit Royal	8497	\$410.00	

• Call Customer Service for Adapters not listed

A-dec®, Cascade®, Decade® and A-dec 500® are registered trademarks of A-dec, Inc. DCI has no affiliation with A-dec and A-dec has not authorized DCI replacement parts to be used on or in connection with A-dec® products.

Sub-total

QTY

TOTAL



- Upfit your delivery system without the expense of a new chair.
- The Reliance Delivery System is designed to mount to most dental chairs.

<input checked="" type="checkbox"/> - Standard Features <input type="checkbox"/> - Choose Your Option	Part Number	Retail Price	TOTAL
<b>Step 1 Select Your Delivery System Color</b>			
Reliance Over the Patient Dental Unit Only	<input type="checkbox"/> RO4001	White	\$3,660.00
	<input type="checkbox"/> RO4051	Gray	\$3,660.00



## Step 2 Configure Your Control Head Options

	(All tubings are Sterling. If nothing is selected - highlighted positions will be used)	Part Number	Handpiece Positions					Retail Price	TOTAL
			0	1	2	3	4		
<input checked="" type="checkbox"/>	DCI Precision Comfort Syringe and tubing							Included	
<input checked="" type="checkbox"/>	HP Tubing 4 Hole Asepsis							Included	
<input type="checkbox"/>	ISO-C 6-Pin Deluxe 3 HP Illumination System (Includes a 9483 tubing)	9885						\$530.00	
<input type="checkbox"/>	ISO 5-Hole Deluxe 3 HP Illumination System (Includes a 9978 tubing)	9889						\$620.00	
<input type="checkbox"/>	ISO-C 6-Pin Standard 2 HP Illumination System (Includes a 9483 tubing)	9905						\$280.00	
<input type="checkbox"/>	ISO 5-Hole Standard 2 HP Illumination System (Includes a 9978 tubing)	9900						\$370.00	
<input type="checkbox"/>	ISO-C 6-Pin Economy HP Illumination System (Includes a 9483 tubing)	9876						\$230.00	
<input type="checkbox"/>	ISO 5-Hole Economy HP Illumination System (Includes a 9978 tubing)	9881						\$320.00	
<input type="checkbox"/>	Additional ISO-C 6-Pin Tubing Option for Illumination Systems	9483						\$174.00	
<input type="checkbox"/>	Additional ISO 5-Hole Tubing Option for Illumination Systems	9978						\$174.00	
<input type="checkbox"/>	Delete HP Position 3	4344						-\$40.00	
<input type="checkbox"/>	Add HP Position (Position 4) Includes Block, Water Valve, Holder & HP Tubing	4467 White/ 4468 Gray						\$200.00	
<input checked="" type="checkbox"/>	Stainless Steel Tray and Non-Skid Pad							Included	
<input checked="" type="checkbox"/>	Wet/Dry Foot Control							Included	
<input checked="" type="checkbox"/>	Handpiece Flush							Included	
<input type="checkbox"/>	Add scaler / chip air button to foot control	4346						\$80.00	

## Step 3 Configure Your Unit Options

		Part Number	Retail Price	TOTAL
<input checked="" type="checkbox"/>	Self-Contained Quick-Switch Water System w/ 1 Liter Bottle		Included	
<input type="checkbox"/>	Telescoping Assistant's Arm, 4 Position (Requires 5380)	5377 White/ 5376 Gray	\$569.30	
<input type="checkbox"/>	Precision Comfort Assistant's Package, HVE, SE, SYR	5380	\$300.20	
<input type="checkbox"/>	Additional Extended Vacuum Valve and Tubing	R52892G	\$100.00	
<input type="checkbox"/>	Wall & Cabinet Mount Assistant Instrumentation Premium Precision Comfort	5432	\$590.00	

## Step 4 Configure Your Light

		Part Number	Retail Price	TOTAL
<input type="checkbox"/>	No Light On Unit (Standard)		N/C	
<input type="checkbox"/>	Post Mount Reliance LED Light (Requires Light Post)	RP4000 White / RP4050 Gray	\$2,810.00	
<input type="checkbox"/>	Light Post Extension, 24", Pelton & Crane Bushing	8921 White / 8969 Gray	\$240.00	

## Step 5 Select Chair Mount Adapter

		Part Number	Retail Price	TOTAL
<input type="checkbox"/>	To Fit A-dec® Cascade® 1040	8522	\$410.00	
<input type="checkbox"/>	To Fit A-dec® Priority 1005 & 1010	8515	\$410.00	
<input type="checkbox"/>	To Fit A-dec® Decade® 1020, 1021 & 1015	8500	\$410.00	
<input type="checkbox"/>	To Fit A-dec 500®	8538	\$410.00	
<input type="checkbox"/>	To Fit Belmont Bel 20,50/Celebrity/Westar 2001 & 5000/LSM DC-1000 & COHO	8493	\$410.00	
<input type="checkbox"/>	To Fit Belmont AcuTrac	8917	\$410.00	
<input type="checkbox"/>	To Fit DentalEZ® E3000	8552	\$410.00	
<input type="checkbox"/>	To Fit DentalEZ® Advantage E2000	8919	\$410.00	
<input type="checkbox"/>	To Fit Marus™ Pro/DCI Equipment	8561	\$410.00	
<input type="checkbox"/>	To Fit Pelton Spirit/Schein Empire	8918	\$410.00	
<input type="checkbox"/>	To Fit Royal	8497	\$410.00	
			Sub-total	
			QTY	
			TOTAL	

• Call Customer Service for Adapters not listed

A-dec®, Cascade®, Decade® and A-dec 500® are registered trademarks of A-dec, Inc. DCI has no affiliation with A-dec and A-dec has not authorized DCI replacement parts to be used on or in connection with A-dec® products.



Configuration shown		
RO4102	Reliance Post Mount Utilities	\$2,640.00
RP4000	Reliance Post Mount LED Light	\$2,810.00
R4042	Reliance Light Post Assembly, 30"	\$260.00
Step 5	Chair Mount Adapter	\$410.00
		<b>\$6,120.00</b>

- Upfit your delivery system without the expense of a new chair.
- The Reliance Delivery System is designed to mount to most dental chairs.

✓ - Standard Features    □ - Choose Your Option

Part Number	Retail Price	TOTAL
-------------	--------------	-------

### Step 1 Select Your Delivery System & Color

Reliance Post Mount Utilities, PMU w/Cuspidor	<input type="checkbox"/>	RO4102	White	\$2,640.00	
	<input type="checkbox"/>	RO4152	Gray	\$2,640.00	
Reliance Post Mount Utilities, PMU, No Cuspidor	<input type="checkbox"/>	RO4002	White	\$2,170.00	
	<input type="checkbox"/>	RO4052	Gray	\$2,170.00	



## Step 2 Configure Your Post Mounted Utility Center Options

		Part Number	Retail Price	TOTAL
<b>Step 2A Assistant's Package</b>				
<input type="checkbox"/>	Telescoping Arm w/ 4 Position Holder, 1 Syringe, 1 HVE & 1 SE	R52906W White / R52906G Gray	\$640.00	
<input type="checkbox"/>	Additional Extended Vacuum Valve and Tubing	R52892G	\$100.00	
<input type="checkbox"/>	Autoclavable Dry Oral Cup	5840	\$30.00	
<b>Step 2B Water System</b>				
<input checked="" type="checkbox"/>	Self Contained Water System with 2 Liter Bottle		Included	
<input type="checkbox"/>	Delete Self Contained Water System and Bottle	4350	-\$260.00	
<input checked="" type="checkbox"/>	Air QD and Water QD with flow control		Included	
<b>Step 2C Junction Box and Utilities</b>				
<input checked="" type="checkbox"/>	6' Umbilical Tubing		Included	
<input type="checkbox"/>	Additional Umbilical Length Per Foot, includes sheath tubing - Qty_____	R24875A	\$50.00	
<input checked="" type="checkbox"/>	Asepsis Utility Center and Valves		Included	
<input type="checkbox"/>	Delete Asepsis Utility Center and Valves	4347	-\$310.00	

## Step 3 Configure Your Light

		Part Number	Retail Price	TOTAL
<input type="checkbox"/>	No Light On Unit (Standard)		N/C	
<input type="checkbox"/>	Post Mount Reliance LED Light (Requires Light Post)	RP4000 White / RP4050 Gray	\$2,810.00	
<input type="checkbox"/>	Light Post With P&C Bushing, 30"	R4042 White / R4767 Gray	\$260.00	

## Step 4 Select Chair Mount Adapter

		Part Number	Retail Price	TOTAL
<input type="checkbox"/>	To Fit A-dec® Cascade® 1040	8522	\$410.00	
<input type="checkbox"/>	To Fit A-dec® Priority 1005 & 1010	8515	\$410.00	
<input type="checkbox"/>	To Fit A-dec® Decade® 1020, 1021 & 1015	8500	\$410.00	
<input type="checkbox"/>	To Fit A-dec 500®	8538	\$410.00	
<input type="checkbox"/>	To Fit Belmont Bel 20,50/Celebrity/Westar 2001 & 5000/LSM DC-1000 & C0H0	8493	\$410.00	
<input type="checkbox"/>	To Fit Belmont AcuTrac	8917	\$410.00	
<input type="checkbox"/>	To Fit DentalEZ® E3000	8552	\$410.00	
<input type="checkbox"/>	To Fit DentalEZ® Advantage E2000	8919	\$410.00	
<input type="checkbox"/>	To Fit Marus™ Pro/DCI Equipment	8561	\$410.00	
<input type="checkbox"/>	To Fit Pelton Spirit/Schein Empire	8918	\$410.00	
<input type="checkbox"/>	To Fit Royal	8497	\$410.00	
			Sub-total	
			QTY	
			TOTAL	

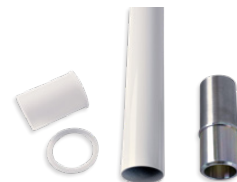
• Call Customer Service for Adapters not listed



4824/4924



R52906W



R4042 / R4767

A-dec®, Cascade®, Decade® and A-dec 500® are registered trademarks of A-dec, Inc. DCI has no affiliation with A-dec and A-dec has not authorized DCI replacement parts to be used on or in connection with A-dec® products.



FEATURES	RELIANCE
LED Technology	X
3rd Axis Head Rotation	X
Reflective Technology	X
Dual Touch Controls	X
Offered in Gray or White	X
3" X 6" Light Pattern	X
5000K Color Temperature	X





RP4000

LED Lamp-24Volt, 10 Watts

Input Voltage - 115V, 50Hz

Light Intensity (Lux), 35,000 to 17,500

Focal Length - 27"

- Standard Features     - Choose Your Option

Part Number	Color	Retail Price	TOTAL
<b>Step 1 Choose Your Light Color</b>			
<input type="checkbox"/> RP4000	White	\$2,810.00	
<input type="checkbox"/> RP4050	Gray	\$2,810.00	

Reliance Post Mount Light, 120 Volt

<b>Step 2 Configure Your Light Post</b>			
<input type="checkbox"/>	Post 48" Long Powdercoat w/ P&C Bushing	8482 White / 4049 Gray	\$26710
<input type="checkbox"/>	Light Post Extension, 24", P&C Bushing and Clamp	8921 White / 8969 Gray	\$240.00
<input type="checkbox"/>	Light Post Extension, 30", P&C Bushing and Clamp	8463 White / 8986 Gray	\$260.00
			Sub-total
			QTY
			TOTAL



8482/4049



8463/8986



8921/8969



✓ - Standard Features    □ - Choose Your Option

	Part Number	Retail Price	TOTAL
<b>Step 1 Select Your Stool</b>			
<input type="checkbox"/> Doctor's Stool (Cylinder height range 19" to 24")	SDR051	\$820.00	
<input type="checkbox"/> Assistant's Stool with Body Support and Footring (Cylinder height range 23" to 29 1/2")	SAR051	\$1,000.00	

<b>Step 2 Select Your Upholstery</b>			
<input type="checkbox"/> Naugasoft Upholstery	54633	N/C	
<input type="checkbox"/> Ultraleather® Upholstery	54634	\$120.00	
<input type="checkbox"/> Non-Standard Upholstery Upcharge per Stool*	54646	\$50.00	

\*Allow for an additional 2 weeks above standard lead time for all Non-Standard Upholstery. Manufacturer part number required. Contact Customer Service to confirm availability.





## Premium Ultraleather® Upholstery



Upcharge applies \$120 per Stool

 Raven Wing	 Charcoal	 Rain Dance	 Dove Grey	 Arctic	 Silver Pearl
 Diplomat Blue	 Baltic	 Bayou	 Blueberry	 Sky	 St John
 Parrot	 Eucalyptus	 Papyrus	 Campfire	 Apricot	 Citrus
<b>PEARLIZED</b>					
 Midnight	 Tin Man	 Oz	 Pewter	 Mica	

## Naugasoft Upholstery

Naugasoft included in price for Stools

 Black Satin	 Cabernet	 Deep Sea	 Lake Louise	 Cocoa	 Feather	 Fawn
---	---	---	--	--	---	---



Our dental cart systems are not only sturdy, but they're also stylish and affordable, perfect to upfit any modern dental practice.

- Sturdy all-metal control head w/ smooth lines for easy cleaning
- Automatic control for 3 handpieces
- Stainless Steel tray (PN 8013) & Non-Skid Pad
- Precision Comfort® Syringe
- Wet/Dry foot control
- 1 1/4" Umbilical, 7 ft.
- Utility center w/ white box
- Variety of tubing color and type to choose from
- Assistant's Package, 2 HVE & 1 SE (R4540/4542 only)

✓ - Standard Features    ☐ - Choose Your Option

		Part Number	Retail Price	TOTAL
<b>Step 1 Select Your Cart System</b>				
Reliance Automatic Control Cart for 3 HP	<input type="checkbox"/>	R4511	White	\$3,680.00
Reliance Automatic Control Cart for 3 HP w/ Premium Vacuum	<input type="checkbox"/>	R4540	White	\$4,050.00
Reliance Automatic Control Cart for 3 HP, Single Air Source	<input type="checkbox"/>	R4523	White	\$2,360.00
Reliance Automatic Control Cart for 3 HP w/ Standard Vacuum	<input type="checkbox"/>	4542	White	\$4,050.00





R4511



R4540



R4523



4542

## Step 2 Configure Your Control Head Options

<i>(All tubings are Sterling. If nothing is selected - highlighted positions will be used)</i>		Part Number	Handpiece Positions					Retail Price	TOTAL
			0	1	2	3	4		
<input checked="" type="checkbox"/>	DCI Precision Comfort Syringe and tubing							Included	
<input checked="" type="checkbox"/>	HP Tubing 4 Hole Asepsis							Included	
<input type="checkbox"/>	ISO-C 6-Pin Deluxe 3 HP Illumination System (Includes a 9483 tubing)	9885						\$530.00	
<input type="checkbox"/>	ISO 5-Hole Deluxe 3 HP Illumination System (Includes a 9978 tubing)	9889						\$620.00	
<input type="checkbox"/>	ISO-C 6-Pin Standard 2 HP Illumination System (Includes a 9483 tubing)	9905						\$280.00	
<input type="checkbox"/>	ISO 5-Hole Standard 2 HP Illumination System (Includes a 9978 tubing)	9900						\$370.00	
<input type="checkbox"/>	ISO-C 6-Pin Economy HP Illumination System (Includes a 9483 tubing)	9876						\$230.00	
<input type="checkbox"/>	ISO 5-Hole Economy HP Illumination System (Includes a 9978 tubing)	9881						\$320.00	
<input type="checkbox"/>	Additional ISO-C 6-Pin Tubing Option for Illumination Systems	9483						\$174.00	
<input type="checkbox"/>	Additional ISO 5-Hole Tubing Option for Illumination Systems	9978						\$174.00	
<input type="checkbox"/>	Delete HP Position 3	4344						-\$40.00	
<input type="checkbox"/>	Add HP Position (Position 4) Includes Block, Water Valve, Holder & HP Tubing	4467 White						\$200.00	
<input checked="" type="checkbox"/>	Stainless Steel Tray and Non-Skid Pad							Included	
<input checked="" type="checkbox"/>	Wet/Dry Foot Control							Included	
<input type="checkbox"/>	Add scaler / chip air button to foot control	4346						\$80.00	
<input checked="" type="checkbox"/>	Self contained water system							Included	
<input type="checkbox"/>	Additional umbilical length per foot includes sheath tubing qty_	R24962A						\$30.00	
<input checked="" type="checkbox"/>	Asepsis Utility center and valves (Not included for R4523)							Included	
<input type="checkbox"/>	Converter & Adapter, Water Bottle Quick-Switch Kit	8941						\$74.10	
<input type="checkbox"/>	2 Liter Bottle w/ Cap & Pick-Up Tube	8164						\$12.70	



9885 / 9889



9905 / 9900



9876 / 9881



The Reliance Automatic 2 HP Cart system features smooth lines for easy cleaning at an affordable price point.

- Sturdy all-metal control head w/ smooth lines for easy cleaning
- Manual control for 2 handpieces
- Stainless Steel tray (PN 8013) & Non-Skid Pad
- Precision Comfort® Syringe
- 1 1/4" Umbilical, 7 ft.
- Utility center w/ white box
- Precision Comfort® Assistant's Package, 2 HVE & 1 SE (R4240 only)

✓ - Standard Features    □ - Choose Your Option

		Part Number	Retail Price	TOTAL
<b>Step 1 Select Your Cart System</b>				
Reliance Manual Control Cart for 2 HP	<input type="checkbox"/>	R4245	White	\$2,050.00
Reliance Manual Control Cart for 2 HP w/Premium Vacuum	<input type="checkbox"/>	R4240	White	\$2,390.00





R4245



R4240

## Step 2 Configure Your Control Head Options

<i>(All tubings are Sterling. If nothing is selected - highlighted positions will be used)</i>		Part Number	Handpiece Positions					Retail Price	TOTAL
			0	1	2	3	4		
<input checked="" type="checkbox"/>	DCI Precision Comfort Syringe and tubing							Included	
<input checked="" type="checkbox"/>	HP Tubing 4 Hole Asepsis							Included	
<input type="checkbox"/>	ISO-C 6-Pin Deluxe 3 HP Illumination System (Includes a 9483 tubing)	9885						\$530.00	
<input type="checkbox"/>	ISO 5-Hole Deluxe 3 HP Illumination System (Includes a 9978 tubing)	9889						\$620.00	
<input type="checkbox"/>	ISO-C 6-Pin Standard 2 HP Illumination System (Includes a 9483 tubing)	9905						\$280.00	
<input type="checkbox"/>	ISO 5-Hole Standard 2 HP Illumination System (Includes a 9978 tubing)	9900						\$370.00	
<input type="checkbox"/>	ISO-C 6-Pin Economy HP Illumination System (Includes a 9483 tubing)	9876						\$230.00	
<input type="checkbox"/>	ISO 5-Hole Economy HP Illumination System (Includes a 9978 tubing)	9881						\$320.00	
<input type="checkbox"/>	Additional ISO-C 6-Pin Tubing Option for Illumination Systems	9483						\$174.00	
<input type="checkbox"/>	Additional ISO 5-Hole Tubing Option for Illumination Systems	9978						\$174.00	
	Stainless Steel Tray and Non-Skid Pad							Included	
	Standard Foot Control							Included	
<input checked="" type="checkbox"/>	Add scaler / chip air button to foot control	4346						\$80.00	
<input checked="" type="checkbox"/>	Self contained water system							Included	
<input type="checkbox"/>	Additional umbilical length per foot includes sheath tubing qty_	R24962A						\$30.00	
<input checked="" type="checkbox"/>	Asepsis Utility center and valves							Included	
<input type="checkbox"/>	Converter & Adapter, Water Bottle Quick-Switch Kit	8941						\$74.10	
<input checked="" type="checkbox"/>	2 Liter Bottle w/ Cap & Pick-Up Tube	8164						\$12.70	



- Operator Support Cart w/ U-Frame
- Solid 1" white laminate top w/ gray edge banding
- 19" x 22" work surface
- Precision Comfort® Assistant's Package, 1 SYR, 1 HVE & 1 SE (R4220 only)

✓ - Standard Features    □ - Choose Your Option

		Part Number	Retail Price	TOTAL
<b>Step 1 Select Your Cart System</b>				
Work Surface w/ U-Frame Assy	<input type="checkbox"/>	R4227	White	\$1,440.00
Operator Support Cart w/Assistant's Package U-Frame	<input type="checkbox"/>	R4220	White	\$2,150.00





R4227



R4220

### Step 2 Configure Your Cart Options

		Part Number	Retail Price	TOTAL
<input type="checkbox"/>	Storage Well w/ Organizers	8400	\$300.00	
<input type="checkbox"/>	Utility Center, Premium w/ Frame & Cover, White	8329	\$486.50	

### Step 3 Configure Your Doctor's Delivery

		Part Number	Retail Price	TOTAL
<b>Step 3A Choose Doctor's Delivery</b>				
<input type="checkbox"/>	Reliance Cabinet Mount Automatic Control Unit for 3 HP (requires 4289, 8337 & 8336)	4470	\$967.80	
<input type="checkbox"/>	Reliance Cabinet Mount Manual Control Unit for 2 HP, 2 Wet (requires 4289, 8337 & 8336)	4521	\$724.50	
<b>Step 3B Required with Doctor's Delivery</b>				
<input type="checkbox"/>	Pin Mount Bracket Kit, White	4289	\$67.30	
<input type="checkbox"/>	Rigid Arm, 6", White	8337	\$64.20	
<input type="checkbox"/>	Control Mount Bracket, White	8336	\$107.70	
<input type="checkbox"/>	Additional Extended Vacuum Valve and Tubing	R52892G	\$100.00	





- Operator Support Cart w/ U-Frame
- Solid 1" white laminate top w/ gray edge banding
- 19" x 22" work surface
- Precision Comfort® Assistant's Package, 1 SYR, 1 HVE & 1 SE (R4221 only)

- Standard Features   
  - Choose Your Option

Part Number	Retail Price	TOTAL
-------------	--------------	-------

### Step 1 Select Your Cart System

	<input type="checkbox"/>	Part Number	Color	Retail Price	TOTAL
Work Surface w/ H-Frame Assy	<input type="checkbox"/>	R4228	White	\$1,440.00	
Operator Support Cart w/ Assistant's Package H-Frame	<input type="checkbox"/>	R4221	White	\$2,780.00	







R4228



R4221

### Step 2 Configure Your Cart Options

		Part Number	Retail Price	TOTAL
<input type="checkbox"/>	Asepsis Self-Contained Deluxe QS Single Water System w/ 2 Liter Bottle & 2" Clamp (Included with R4221)	8928QS	\$355.00	
<input type="checkbox"/>	Storage Well w/ Organizers	8400	\$300.00	
<input type="checkbox"/>	Utility Center, Premium w/ Frame & Cover, White (Included with R4221)	8329	\$486.50	

### Step 3 Configure Your Doctor's Delivery

		Part Number	Retail Price	TOTAL
<b>Step 3A Choose Doctor's Delivery</b>				
<input type="checkbox"/>	Reliance Cabinet Mount Automatic Control Unit for 3 HP (requires 4289, 8337 & 8336)	4470	\$967.80	
<input type="checkbox"/>	Reliance Cabinet Mount Manual Control Unit for 2 HP, 2 Wet (requires 4289, 8337 & 8336)	4521	\$724.50	
<b>Step 3B Required with Doctor's Delivery</b>				
<input type="checkbox"/>	Pin Mount Bracket Kit, White	4289	\$67.30	
<input type="checkbox"/>	Rigid Arm, 6", White	8337	\$64.20	
<input type="checkbox"/>	Control Mount Bracket, White	8336	\$107.70	
<input type="checkbox"/>	Additional Extended Vacuum Valve and Tubing	R52892G	\$100.00	



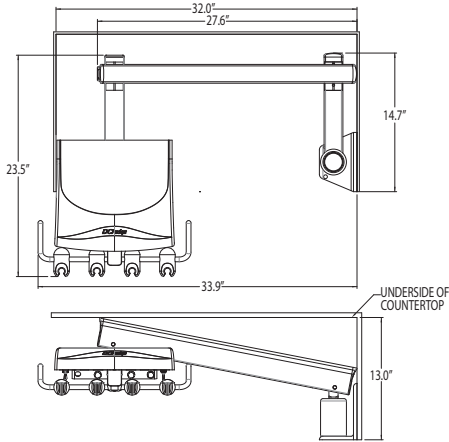
- Smooth lines for easing cleaning
- Automatic control for 3 handpieces
- Includes a stainless-steel tray (PN 8013)
- Includes 8 Conductor Low Voltage Electrical Cable
- Includes a Precision Comfort® Syringe
- Available in left- or right-hand configuration
- 4-Hole Straight Sterling Tubing is Standard

✓ - Standard Features     - Choose Your Option

### Step 1 Select Your Delivery System

		Part Number	Retail Price	TOTAL
Reliance Side Delivery Auto Dental Unit	<input type="checkbox"/>	RW4000	White	\$4,320.00
	<input type="checkbox"/>	RW4050	Gray	\$4,320.00





RW4000 / RW4050

### Step 2 Configure Your Control Head Options

	<i>(All tubings are Sterling. If nothing is selected - highlighted positions will be used)</i>	Part Number	Handpiece Positions					Retail Price	TOTAL
			0	1	2	3	4		
<input checked="" type="checkbox"/>	DCI Precision Comfort Syringe and tubing							Included	
<input checked="" type="checkbox"/>	HP Tubing 4 Hole Asepsis							Included	
<input type="checkbox"/>	ISO-C 6-Pin Deluxe 3 HP Illumination System (Includes a 9483 tubing)	9885						\$530.00	
<input type="checkbox"/>	ISO 5-Hole Deluxe 3 HP Illumination System (Includes a 9978 tubing)	9889						\$620.00	
<input type="checkbox"/>	ISO-C 6-Pin Standard 2 HP Illumination System (Includes a 9483 tubing)	9905						\$280.00	
<input type="checkbox"/>	ISO 5-Hole Standard 2 HP Illumination System (Includes a 9978 tubing)	9900						\$370.00	
<input type="checkbox"/>	ISO-C 6-Pin Economy HP Illumination System (Includes a 9483 tubing)	9876						\$230.00	
<input type="checkbox"/>	ISO 5-Hole Economy HP Illumination System (Includes a 9978 tubing)	9881						\$320.00	
<input type="checkbox"/>	Additional ISO-C 6-Pin Tubing Option for Illumination Systems	9483						\$174.00	
<input type="checkbox"/>	Additional ISO 5-Hole Tubing Option for Illumination Systems	9978						\$174.00	
<input type="checkbox"/>	Delete HP Position 3	4344						-\$40.00	
<input type="checkbox"/>	Add HP Position (Position 4) Includes Block, Water Valve, Holder & HP Tubing	4467 White/ 4468 Gray						\$200.00	
<input checked="" type="checkbox"/>	Stainless Steel Tray and Non-Skid Pad							Included	
<input checked="" type="checkbox"/>	Wet/Dry Foot Control							Included	
<input type="checkbox"/>	Add scaler / chip air button to foot control	4346						\$80.00	

### Step 3 Select Your Unit Options

		Part Number	Retail Price	TOTAL
<input type="checkbox"/>	Asepsis Self-Contained Deluxe QS Dual Water System w/ 750 ml Bottle	8178QS	\$364.40	
<input type="checkbox"/>	Wall & Cabinet Mount Assistant Instrumentation Premium Precision Comfort®	5432	\$590.00	
<input type="checkbox"/>	Precision Comfort® Assistant's Package, HVE, SE, SYR	5380	\$300.20	
<input type="checkbox"/>	Vertical Mount Assistant's Holders, 4 Position	5378	\$248.40	



- Smooth lines for easing cleaning
- Automatic control for 3 handpieces
- Includes a stainless-steel tray (PN 8013)
- Includes 8 Conductor Low Voltage Electrical Cable
- Includes a Precision Comfort® Syringe
- Available in left- or right-hand configuration
- 4-Hole Straight Gray Tubing is Standard

✓ - Standard Features     - Choose Your Option

Part Number	Retail Price	TOTAL
<input type="checkbox"/> 4478	White	\$2,023.50
<input type="checkbox"/> 4477	Gray	\$2,023.50

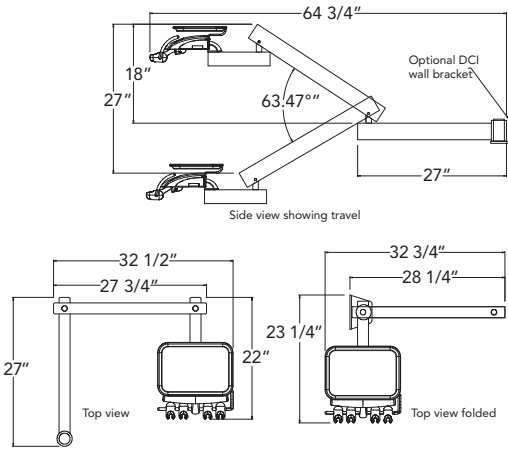
### Step 1 Select Your Delivery System & Color

Reliance Arm Mounted Automatic Control Unit for 3 HP w/ Flex Arm

### Step 2 Configure Your Control Head Options

	(All tubings are Gray. If nothing is selected - highlighted positions will be used)	Part Number	Handpiece Positions					Retail Price	TOTAL
			0	1	2	3	4		
✓ DCI Precision Comfort Syringe and tubing								Included	
✓ HP Tubing 4 Hole Asepsis								Included	
<input type="checkbox"/> ISO-C 6-Pin Deluxe 3 HP Illumination System (Includes a 9481 tubing)		9886						\$530.00	
<input type="checkbox"/> ISO 5-Hole Deluxe 3 HP Illumination System (Includes a 9976 tubing)		9891						\$620.00	
<input type="checkbox"/> ISO-C 6-Pin Standard 2 HP Illumination System (Includes a 9481 tubing)		9903						\$280.00	
<input type="checkbox"/> ISO 5-Hole Standard 2 HP Illumination System (Includes a 9976 tubing)		9898						\$370.00	
<input type="checkbox"/> ISO-C 6-Pin Economy HP Illumination System (Includes a 9481 tubing)		9878						\$230.00	
<input type="checkbox"/> ISO 5-Hole Economy HP Illumination System (Includes a 9976 tubing)		9883						\$320.00	
<input type="checkbox"/> Additional ISO-C 6-Pin Tubing Option for Illumination Systems		9481						\$174.00	
<input type="checkbox"/> Additional ISO 5-Hole Tubing Option for Illumination Systems		9976						\$174.00	
<input type="checkbox"/> Delete HP Position 3		4344						-\$40.00	
<input type="checkbox"/> Add HP Position (Position 4) Includes Block, Water Valve, Holder & HP Tubing		4467 White/ 4468 Gray						\$200.00	
<input type="checkbox"/> Sub chassis for accessory integration		4230						\$70.00	
✓ Stainless Steel Tray								Included	
✓ Wet/Dry Foot Control								Included	
<input type="checkbox"/> Add scaler / chip air button to foot control		4346						\$80.00	
✓ 50" Flex Arm for 2" Post w/ Air Brake								Included	





4478 / 4477

### Step 3 Configure Your Mounting Options

	Part Number	Retail Price	TOTAL
<input type="checkbox"/> Wall Mount Bracket	8647 White / 8349 Gray	\$165.60	
<input type="checkbox"/> Top Post Mount Adapter Kit	8923 White/ 8956 Gray	\$160.00	
<input type="checkbox"/> Post, 24", w/ Oilite Bushing	4762 White / 4764 Gray	\$196.70	
<input type="checkbox"/> Post, 30", w/ Oilite Bushing	4763 White / 4765 Gray	\$202.90	

### Step 4 Select Your Utility Center Options

	Part Number	Retail Price	TOTAL
<input type="checkbox"/> Asepsis Self-Contained Deluxe QS Single Water System w/ 2 Liter Bottle & 2" Clamp	8928QS	\$355.00	
<input type="checkbox"/> Asepsis Self-Contained Deluxe QS Dual Water System w/ 750 ml Bottle	8178QS	\$364.40	
<input type="checkbox"/> Utility Center w/ White Box & Regulators	8329	\$486.50	
<input type="checkbox"/> Wall & Cabinet Mount Assistant Instrumentation Premium Precision Comfort	5432	\$590.00	
<input type="checkbox"/> Precision Comfort Assistant's Package, 2 HVE, SE, SYR (Requires 5373)	5364	\$367.50	
<input type="checkbox"/> Vertical Mount Assistant's Holders, 4 Position	5373	\$96.30	



8923 / 8956



4762 / 4764



8928QS



- Shown with optional Stainless Steel Tray (PN 8013). Sold separately
- Smooth lines for easing cleaning
- Automatic control for 3 handpieces
- Includes 8 Conductor Low Voltage Electrical Cable
- Includes a Precision Comfort® Syringe
- Available in left- or right-hand configuration
- 4-Hole Straight Gray Tubing is Standard

✓ - Standard Features    □ - Choose Your Option

	Part Number	Retail Price	TOTAL
<b>Step 1 Select Your Delivery System</b>			
Alternative Arm Mounted Automatic Control Unit for 3 HP w/ Tray & White Flex Arm	<input type="checkbox"/> 4376	White	\$1,857.90

### Step 2 Configure Your Control Head Options

	(All tubings are Gray. If nothing is selected - highlighted positions will be used)	Part Number	Handpiece Positions					Retail Price	TOTAL
			0	1	2	3	4		
✓ DCI Precision Comfort Syringe and tubing								Included	
✓ HP Tubing 4 Hole Asepsis								Included	
<input type="checkbox"/> ISO-C 6-Pin Deluxe 3 HP Illumination System (Includes a 9481 tubing)		9886						\$530.00	
<input type="checkbox"/> ISO 5-Hole Deluxe 3 HP Illumination System (Includes a 9976 tubing)		9891						\$620.00	
<input type="checkbox"/> ISO-C 6-Pin Standard 2 HP Illumination System (Includes a 9481 tubing)		9903						\$280.00	
<input type="checkbox"/> ISO 5-Hole Standard 2 HP Illumination System (Includes a 9976 tubing)		9898						\$370.00	
<input type="checkbox"/> ISO-C 6-Pin Economy HP Illumination System (Includes a 9481 tubing)		9878						\$230.00	
<input type="checkbox"/> ISO 5-Hole Economy HP Illumination System (Includes a 9976 tubing)		9883						\$320.00	
<input type="checkbox"/> Additional ISO-C 6-Pin Tubing Option for Illumination Systems		9481						\$174.00	
<input type="checkbox"/> Additional ISO 5-Hole Tubing Option for Illumination Systems		9976						\$174.00	
<input type="checkbox"/> Delete HP Position 3		4344						-\$40.00	
<input type="checkbox"/> Add HP Position (Position 4) Includes Block, Water Valve, Holder & HP Tubing		4467 White						\$200.00	
<input type="checkbox"/> Stainless Steel Tray		8013						\$43.50	
✓ Disc-Type Foot Control								Included	
<input type="checkbox"/> Add scaler / chip air button to foot control		4346						\$80.00	
✓ 50" Flex Arm for 2" Post w/ Air Brake								Included	





4376

Shown with optional Stainless Steel Tray (PN 8013). Sold separately.

### Step 3 Configure Your Mounting Options

		Part Number	Retail Price	TOTAL
<input type="checkbox"/>	Wall Mount Bracket	8647 White	\$165.60	
<input type="checkbox"/>	Top Post Mount Adapter	8923 White	\$160.00	
<input type="checkbox"/>	Post, 24" White, w/ Oilite Bushing	4762	\$196.70	
<input type="checkbox"/>	Post, 30" White, w/ Oilite Bushing	4763	\$202.90	

### Step 4 Select Your Utility Center Options

		Part Number	Retail Price	TOTAL
<input type="checkbox"/>	Asepsis Self-Contained Deluxe QS Single Water System w/ 2 Liter Bottle & 2" Clamp	8928QS	\$355.00	
<input type="checkbox"/>	Asepsis Self-Contained Deluxe QS Dual Water System w/ 750 ml Bottle	8178QS	\$364.40	
<input type="checkbox"/>	Utility Center w/ White Box & Regulators	8329	\$486.50	
<input type="checkbox"/>	Wall & Cabinet Mount Assistant Instrumentation Premium Precision Comfort	5432	\$590.00	
<input type="checkbox"/>	Precision Comfort Assistant's Package, 2 HVE, SE, SYR (Requires 5373)	5364	\$367.50	
<input type="checkbox"/>	Vertical Mount Assistant's Holders, 4 Position	5373	\$96.30	



8329



5432



5373 / 5364





- Shown with optional Stainless Steel Tray (PN 8013). Sold separately
- Smooth lines for easing cleaning
- Automatic control for 2 handpieces
- Includes 8 Conductor Low Voltage Electrical Cable
- Includes a Precision Comfort® Gray
- Available in left- or right-hand configuration
- 4-Hole Straight Gray Tubing is Standard

✓ - Standard Features    □ - Choose Your Option

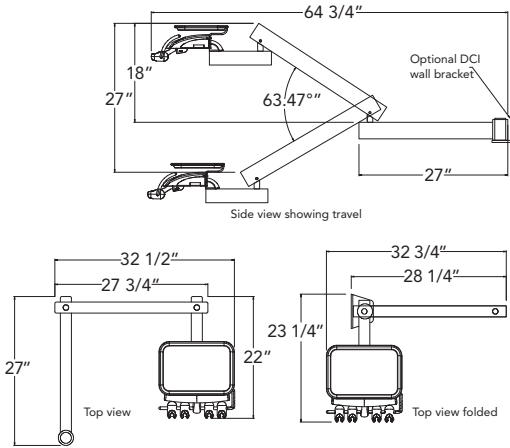
	Part Number	Retail Price	TOTAL
<b>Step 1 Select Your Delivery System &amp; Color</b>			
Reliance Arm Mounted Manual Control Unit for 2HP, 2 Wet w/ Flex Arm	<input type="checkbox"/> 4530	White	\$1,857.90
	<input type="checkbox"/> 4528	Gray	\$1,857.90
Reliance Arm Mounted Manual Control Unit for 2HP, 1 Wet & 1 Dry w/ Flex Arm	<input type="checkbox"/> 4529	White	\$1,790.60
	<input type="checkbox"/> 4526	Gray	\$1,790.60

### Step 2 Configure Your Control Head Options

	(All tubings are Gray. If nothing is selected - highlighted positions will be used)	Part Number	Handpiece Positions					Retail Price	TOTAL
			0	1	2	3	4		
✓ DCI Precision Comfort Syringe and tubing								Included	
✓ HP Tubing 4 Hole Asepsis								Included	
<input type="checkbox"/> ISO-C 6-Pin Standard 2 HP Illumination System (Includes a 9481 tubing)		9903						\$280.00	
<input type="checkbox"/> ISO 5-Hole Standard 2 HP Illumination System (Includes a 9976 tubing)		9898						\$370.00	
<input type="checkbox"/> ISO-C 6-Pin Economy HP Illumination System (Includes a 9481 tubing)		9878						\$230.00	
<input type="checkbox"/> ISO 5-Hole Economy HP Illumination System (Includes a 9976 tubing)		9883						\$320.00	
<input type="checkbox"/> Additional ISO-C 6-Pin Tubing Option for Illumination Systems		9481						\$174.00	
<input type="checkbox"/> Additional ISO 5-Hole Tubing Option for Illumination Systems		9976						\$174.00	
<input type="checkbox"/> Stainless Steel Tray		8013						\$43.50	
✓ Disc-Type Foot Control								Included	
<input type="checkbox"/> Add scaler / chip air button to foot control		4346						\$80.00	
✓ 50" Flex Arm for 2" Post w/ Air Brake								Included	







4530 / 4528  
4529 / 4526

Shown with optional Stainless Steel Tray (PN 8013). Sold separately.

### Step 3 Configure Your Mounting Options

	Part Number	Retail Price	TOTAL
<input type="checkbox"/> Wall Mount Bracket	8647 White / 8349 Gray	\$165.60	
<input type="checkbox"/> Top Post Mount Adapter	8923 White / 8956 Gray	\$160.00	
<input type="checkbox"/> Post, 24", w/ Oilite Bushing	4762 White / 4764 Gray	\$196.70	
<input type="checkbox"/> Post, 30", w/ Oilite Bushing	4763 White / 4765 Gray	\$202.90	

### Step 4 Select Your Utility Center Options

	Part Number	Retail Price	TOTAL
<input type="checkbox"/> Asepsis Self-Contained Deluxe QS Single Water System w/ 2 Liter Bottle & 2" Clamp	8928QS	\$355.00	
<input type="checkbox"/> Asepsis Self-Contained Deluxe QS Dual Water System w/ 750 ml Bottle	8178QS	\$364.40	
<input type="checkbox"/> Utility Center w/ White Box & Regulators	8329	\$486.50	
<input type="checkbox"/> Wall & Cabinet Mount Assistant Instrumentation Premium Precision Comfort	5432	\$590.00	
<input type="checkbox"/> Precision Comfort Assistant's Package, 2 HVE, SE, SYR (Requires 5373)	5364	\$367.50	
<input type="checkbox"/> Vertical Mount Assistant's Holders, 4 Position	5373	\$96.30	



8923 / 8956



4762 / 4764



8928QS



- Shown with optional Stainless Steel Tray (PN 8013). Sold separately
- Smooth lines for easing cleaning
- Automatic control for 2 handpieces
- Includes 8 Conductor Low Voltage Electrical Cable
- Includes a Precision Comfort® Syringe
- Available in left- or right-hand configuration
- 4-Hole Straight Gray Tubing is Standard

✓ - Standard Features    □ - Choose Your Option

Part Number	Retail Price	TOTAL
-------------	--------------	-------

### Step 1 Select Your Delivery System

Alternative Arm Mounted 2 Wet w/ Tray & White Flex Arm	<input type="checkbox"/>	4129	White	\$1,671.60	
Alternative Arm Mounted Manual Control, 1 Wet & 1 Dry w/ Tray & White Flex Arm	<input type="checkbox"/>	4128	White	\$1,588.80	

### Step 2 Configure Your Control Head Options

	(All tubings are Gray. If nothing is selected - highlighted positions will be used)	Part Number	Handpiece Positions					Retail Price	TOTAL
			0	1	2	3	4		
✓ DCI Precision Comfort Syringe and tubing								Included	
✓ HP Tubing 4 Hole Asepsis								Included	
<input type="checkbox"/> ISO-C 6-Pin Standard 2 HP Illumination System (Includes a 9481 tubing)		9903						\$280.00	
<input type="checkbox"/> ISO 5-Hole Standard 2 HP Illumination System (Includes a 9976 tubing)		9898						\$370.00	
<input type="checkbox"/> ISO-C 6-Pin Economy HP Illumination System (Includes a 9481 tubing)		9878						\$230.00	
<input type="checkbox"/> ISO 5-Hole Economy HP Illumination System (Includes a 9976 tubing)		9883						\$320.00	
<input type="checkbox"/> Additional ISO-C 6-Pin Tubing Option for Illumination Systems		9481						\$174.00	
<input type="checkbox"/> Additional ISO 5-Hole Tubing Option for Illumination Systems		9976						\$174.00	
<input type="checkbox"/> Stainless Steel Tray		8013						\$43.50	
✓ Standard Foot Control								Included	
<input type="checkbox"/> Add scaler / chip air button to foot control		4346						\$80.00	
✓ 50" Flex Arm for 2" Post w/ Air Brake								Included	





4128 / 4129

Shown with optional Stainless Steel Tray (PN 8013). Sold separately.

### Step 3 Configure Your Mounting Options

		Part Number	Retail Price	TOTAL
<input type="checkbox"/>	Wall Mount Bracket	8647 White	\$165.60	
<input type="checkbox"/>	Top Post Mount Adapter	8923 White	\$160.00	
<input type="checkbox"/>	Post, 24" White, w/ Oilite Bushing	4762	\$196.70	
<input type="checkbox"/>	Post, 30" White, w/ Oilite Bushing	4763	\$202.90	

### Step 4 Select Your Utility Center Options

		Part Number	Retail Price	TOTAL
<input type="checkbox"/>	Asepsis Self-Contained Deluxe QS Single Water System w/ 2 Liter Bottle & 2" Clamp	8928QS	\$355.00	
<input type="checkbox"/>	Asepsis Self-Contained Deluxe QS Dual Water System w/ 750 ml Bottle	8178QS	\$364.40	
<input type="checkbox"/>	Utility Center w/ White Box & Regulators	8329	\$486.50	
<input type="checkbox"/>	Wall & Cabinet Mount Assistant Instrumentation Premium Precision Comfort	5432	\$590.00	
<input type="checkbox"/>	Precision Comfort Assistant's Package, 2 HVE, SE, SYR (Requires 5373)	5364	\$367.50	
<input type="checkbox"/>	Vertical Mount Assistant's Holders, 4 Position	5373	\$96.30	



8329



5432



5373 / 5364



- Precision Comfort® Syringe
- Wet/Dry Foot Control
- Stainless-steel tray (PN 8013) and holder
- 7 ft. of 5/8" umbilical
- 4-Hole Straight Gray Tubing is Standard, with other tubing styles and colors available upon request.
- Economy Self-Contained Deluxe Water System w/ 2L Bottle

✓ - Standard Features     - Choose Your Option

		Part Number	Retail Price	TOTAL				
<b>Step 1 Select Your Delivery System</b>								
Reliance Cabinet Mount Automatic Control Unit for 3 HP, w/ Asst. Pkg	<input type="checkbox"/>	4469	\$3,177.50					
Reliance Cabinet Mount Manual Control Unit for 2 HP, w/ Asst. Pkg	<input type="checkbox"/>	4521L	\$3,006.70					
<b>Step 2 Configure Your Control Head Options</b>								
<i>(All tubings are Gray. If nothing is selected - highlighted positions will be used)</i>		Part Number	Handpiece Positions				Retail Price	TOTAL
			0	1	2	3	4	
✓ DCI Precision Comfort Syringe and tubing								Included
✓ HP Tubing 4 Hole Asepsis								Included
<input type="checkbox"/> ISO-C 6-Pin Deluxe 3 HP Illumination System (Includes a 9481 tubing)		9886						\$530.00
<input type="checkbox"/> ISO 5-Hole Deluxe 3 HP Illumination System (Includes a 9976 tubing)		9891						\$620.00
<input type="checkbox"/> ISO-C 6-Pin Standard 2 HP Illumination System (Includes a 9481 tubing)		9903						\$280.00
<input type="checkbox"/> ISO 5-Hole Standard 2 HP Illumination System (Includes a 9976 tubing)		9898						\$370.00
<input type="checkbox"/> ISO-C 6-Pin Economy HP Illumination System (Includes a 9481 tubing)		9878						\$230.00
<input type="checkbox"/> ISO 5-Hole Economy HP Illumination System (Includes a 9976 tubing)		9883						\$320.00
<input type="checkbox"/> Additional ISO-C 6-Pin Tubing Option for Illumination Systems		9481						\$174.00
<input type="checkbox"/> Additional ISO 5-Hole Tubing Option for Illumination Systems		9976						\$174.00
<input type="checkbox"/> Delete HP Position 3		4344						-\$40.00
<input type="checkbox"/> Add HP Position (Position 4) Includes Block, Water Valve, Holder & HP Tubing		4467 White						\$200.00
<input type="checkbox"/> Sub chassis for accessory integration (For 4469 Only)		4230						\$70.00
✓ Stainless Steel Tray								Included
✓ Disc-Type Foot Control								Included
<input type="checkbox"/> Add scaler / chip air button to foot control		4346						\$80.00
✓ Economy Self-Contained Deluxe Water System w/ 2 Liter Bottle		8143						Included





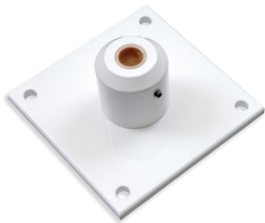
4469



4521L

**Step 3 Configure Your Mounting Style**

		Part Number	Retail Price	TOTAL
<input type="checkbox"/>	Horizontal Mount, 1/2", White	8379	\$60.90	
<input checked="" type="checkbox"/>	Vertical Mount, 1/2" Pin, White	8378	Included	
<input type="checkbox"/>	Post Mount, 2", White	8259	\$72.50	
<input checked="" type="checkbox"/>	Rigid Arm, 6", White (qty 2)	8337	Included	
<input checked="" type="checkbox"/>	Rigid Arm, 8", Dual Pivot Arm, White	8338	Included	



8379



8259



8337



- Automatic control for 3 handpieces
- Precision Comfort® Syringe
- Wet/Dry Foot Control
- 7 ft. of 5/8" umbilical
- 4-Hole Straight Gray Tubing is Standard, with other tubing styles and colors available upon request.

- Standard Features     - Choose Your Option

Part Number	Retail Price	TOTAL
-------------	--------------	-------

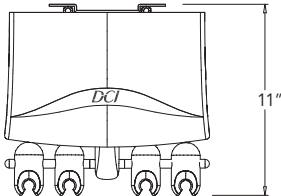
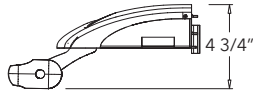
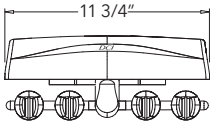
### Step 1 Select Your Delivery System

Reliance Cabinet Mount Automatic Control Unit for 3 HP	<input type="checkbox"/>	4470	White	\$967.80	
--	--------------------------	------	-------	----------	--

### Step 2 Configure Your Control Head Options

	(All tubings are Gray. If nothing is selected - highlighted positions will be used)	Part Number	Handpiece Positions					Retail Price	TOTAL
			0	1	2	3	4		
<input checked="" type="checkbox"/>	DCI Precision Comfort Syringe and tubing							<b>Included</b>	
<input checked="" type="checkbox"/>	HP Tubing 4 Hole Asepsis							<b>Included</b>	
<input type="checkbox"/>	ISO-C 6-Pin Deluxe 3 HP Illumination System (Includes a 9481 tubing)	9886						\$530.00	
<input type="checkbox"/>	ISO 5-Hole Deluxe 3 HP Illumination System (Includes a 9976 tubing)	9891						\$620.00	
<input type="checkbox"/>	ISO-C 6-Pin Standard 2 HP Illumination System (Includes a 9481 tubing)	9903						\$280.00	
<input type="checkbox"/>	ISO 5-Hole Standard 2 HP Illumination System (Includes a 9976 tubing)	9898						\$370.00	
<input type="checkbox"/>	ISO-C 6-Pin Economy HP Illumination System (Includes a 9481 tubing)	9878						\$230.00	
<input type="checkbox"/>	ISO 5-Hole Economy HP Illumination System (Includes a 9976 tubing)	9883						\$320.00	
<input type="checkbox"/>	Additional ISO-C 6-Pin Tubing Option for Illumination Systems	9481						\$174.00	
<input type="checkbox"/>	Additional ISO 5-Hole Tubing Option for Illumination Systems	9976						\$174.00	
<input type="checkbox"/>	Delete HP Position 3	4344						-\$40.00	
<input type="checkbox"/>	Add HP Position (Position 4) Includes Block, Water Valve, Holder & HP Tubing	4467 White						\$200.00	
<input type="checkbox"/>	Sub chassis for accessory integration	4230						\$70.00	
<input checked="" type="checkbox"/>	Wet/Dry Foot Control							<b>Included</b>	
<input type="checkbox"/>	Add scaler / chip air button to foot control	4346						\$80.00	





4470



4470

### Step 3 Configure Your Mounting Style

		Part Number	Retail Price	TOTAL
<input type="checkbox"/>	Control Mount Bracket (for use with rigid arms)	8336 White / 8634 Gray	\$107.70	
<input type="checkbox"/>	Rigid Arm, 6"	8337 White / 8303 Gray	\$64.20	
<input type="checkbox"/>	Rigid Arm, 8", Dual Pivot Arm	8338 White / 8304 Gray	\$66.30	
<input type="checkbox"/>	Rigid Arm, 12"	8356 White / 8306 Gray	\$72.50	
<input type="checkbox"/>	Rigid Arm, 16"	8357 White / 8307 Gray	\$78.70	
<input type="checkbox"/>	Surface mount bracket vertical (for use with rigid arms)	8378 White / 8308 Gray	\$60.90	
<input type="checkbox"/>	Surface mount bracket horizontal (for use with rigid arms)	8379 White / 8309 Gray	\$60.90	
<input type="checkbox"/>	Surface mount bracket under counter mount (for use with rigid arms)	4289 White / 4291 Gray	\$67.30	
<input type="checkbox"/>	Post Mount, 2" (for use with rigid arms)	8259 White / 8253 Gray	\$72.50	
<input type="checkbox"/>	Post Top Mount, 2" (for use with rigid arms)	8489 White / 8294 Gray	\$141.30	

### Step 4 Select Your Utility Center Options

		Part Number	Retail Price	TOTAL
<input type="checkbox"/>	Economy clean water system	8139QS	\$224.60	
<input type="checkbox"/>	Asepsis Dual clean water system	8178QS	\$364.40	



8634, 8303, 4291



8634, 8304, 8294



8634, 8304, 8308

• Other mounting combinations possible





- Automatic control for 3 handpieces
- Precision Comfort® Syringe
- Wet/Dry Foot Control
- 7 ft. of 5/8" umbilical
- 4-Hole Straight Gray Tubing is Standard, with other tubing styles and colors available upon request.

- Standard Features     - Choose Your Option

Part Number	Retail Price	TOTAL
<b>Step 1 Select Your Delivery System</b>		
Alternative Cabinet or Wall Mount Automatic Control 3 HP <input type="checkbox"/>	4370	White
	\$802.20	

### Step 2 Configure Your Control Head Options

	(All tubings are Gray. If nothing is selected - highlighted positions will be used)	Part Number	Handpiece Positions					Retail Price	TOTAL
			0	1	2	3	4		
<input checked="" type="checkbox"/>	DCI Precision Comfort Syringe and tubing							Included	
<input checked="" type="checkbox"/>	HP Tubing 4 Hole Asepsis							Included	
<input type="checkbox"/>	ISO-C 6-Pin Deluxe 3 HP Illumination System (Includes a 9481 tubing)	9886						\$530.00	
<input type="checkbox"/>	ISO 5-Hole Deluxe 3 HP Illumination System (Includes a 9976 tubing)	9891						\$620.00	
<input type="checkbox"/>	ISO-C 6-Pin Standard 2 HP Illumination System (Includes a 9481 tubing)	9903						\$280.00	
<input type="checkbox"/>	ISO 5-Hole Standard 2 HP Illumination System (Includes a 9976 tubing)	9898						\$370.00	
<input type="checkbox"/>	ISO-C 6-Pin Economy HP Illumination System (Includes a 9481 tubing)	9878						\$230.00	
<input type="checkbox"/>	ISO 5-Hole Economy HP Illumination System (Includes a 9976 tubing)	9883						\$320.00	
<input type="checkbox"/>	Additional ISO-C 6-Pin Tubing Option for Illumination Systems	9481						\$174.00	
<input type="checkbox"/>	Additional ISO 5-Hole Tubing Option for Illumination Systems	9976						\$174.00	
<input type="checkbox"/>	Delete HP Position 3	4344						-\$40.00	
<input type="checkbox"/>	Add HP Position (Position 4) Includes Block, Water Valve, Holder & HP Tubing	4467 White						\$200.00	
<input checked="" type="checkbox"/>	Wet/Dry Foot Control							Included	
<input type="checkbox"/>	Add scaler / chip air button to foot control	4346						\$80.00	







4370

### Step 3 Configure Your Mounting Style

		Part Number	Retail Price	TOTAL
<input type="checkbox"/>	Control Mount Bracket (for use with rigid arms)	8336 White / 8634 Gray	\$107.70	
<input type="checkbox"/>	Rigid Arm, 6"	8337 White / 8303 Gray	\$64.20	
<input type="checkbox"/>	Rigid Arm, 8", Dual Pivot Arm	8338 White / 8304 Gray	\$66.30	
<input type="checkbox"/>	Rigid Arm, 12"	8356 White / 8306 Gray	\$72.50	
<input type="checkbox"/>	Rigid Arm, 16"	8357 White / 8307 Gray	\$78.70	
<input type="checkbox"/>	Surface mount bracket vertical (for use with rigid arms)	8378 White / 8308 Gray	\$60.90	
<input type="checkbox"/>	Surface mount bracket horizontal (for use with rigid arms)	8379 White / 8309 Gray	\$60.90	
<input type="checkbox"/>	Surface mount bracket under counter mount (for use with rigid arms)	4289 White / 4291 Gray	\$67.30	
<input type="checkbox"/>	Post Mount, 2" (for use with rigid arms)	8259 White / 8253 Gray	\$72.50	
<input type="checkbox"/>	Post Top Mount, 2" (for use with rigid arms)	8489 White / 8294 Gray	\$141.30	

### Step 4 Select Your Additional Options

		Part Number	Retail Price	TOTAL
<input type="checkbox"/>	Economy clean water system	8139QS	\$224.60	
<input type="checkbox"/>	Asepsis Dual clean water system	8178QS	\$364.40	



8634, 8303, 8294



8634, 8303, 8308



8634, 8303, 8308

• Other mounting combinations possible



- Manual control for 2 handpieces
- Precision Comfort® Syringe
- Standard Foot Control
- 7 ft. of 5/8" umbilical
- 4-Hole Straight Gray Tubing is Standard, with other tubing styles and colors available upon request.

- Standard Features     - Choose Your Option

Part Number	Retail Price	TOTAL
-------------	--------------	-------

### Step 1 Select Your Delivery System

Reliance Cabinet Mount Manual Control Unit for 2 HP, 2 Wet	<input type="checkbox"/>	4521	\$724.50	
Reliance Cabinet Mount Manual Control Unit for 2 HP, 1 Wet & 1 Dry	<input type="checkbox"/>	4520	\$693.50	

### Step 2 Configure Your Control Head Options

	<i>(All tubings are Gray. If nothing is selected - highlighted positions will be used)</i>	Part Number	Handpiece Positions					Retail Price	TOTAL
			0	1	2	3	4		
<input checked="" type="checkbox"/> DCI Precision Comfort Syringe and tubing								Included	
<input checked="" type="checkbox"/> HP Tubing 4 Hole Asepsis								Included	
<input type="checkbox"/> ISO-C 6-Pin Standard 2 HP Illumination System (Includes a 9481 tubing)		9903						\$280.00	
<input type="checkbox"/> ISO 5-Hole Standard 2 HP Illumination System (Includes a 9976 tubing)		9891						\$370.00	
<input type="checkbox"/> ISO-C 6-Pin Economy HP Illumination System (Includes a 9481 tubing)		9903						\$230.00	
<input type="checkbox"/> ISO 5-Hole Economy HP Illumination System (Includes a 9976 tubing)		9898						\$320.00	
<input type="checkbox"/> Additional ISO-C 6-Pin Tubing Option for Illumination Systems		9481						\$174.00	
<input type="checkbox"/> Additional ISO 5-Hole Tubing Option for Illumination Systems		9976						\$174.00	
<input checked="" type="checkbox"/> Standard Foot Control								Included	
<input type="checkbox"/> Add scaler / chip air button to foot control		4346						\$80.00	





4520 / 4521

### Step 3 Configure Your Mounting Style

	Part Number	Retail Price	TOTAL
<input type="checkbox"/> Control Mount Bracket (for use with rigid arms)	8336 White / 8634 Gray	\$107.70	
<input type="checkbox"/> Rigid Arm, 6"	8337 White / 8303 Gray	\$64.20	
<input type="checkbox"/> Rigid Arm, 8", Dual Pivot Arm	8338 White / 8304 Gray	\$66.30	
<input type="checkbox"/> Rigid Arm, 12"	8356 White / 8306 Gray	\$72.50	
<input type="checkbox"/> Rigid Arm, 16"	8357 White / 8307 Gray	\$78.70	
<input type="checkbox"/> Surface mount bracket vertical (for use with rigid arms)	8378 White / 8308 Gray	\$60.90	
<input type="checkbox"/> Surface mount bracket horizontal (for use with rigid arms)	8379 White / 8309 Gray	\$60.90	
<input type="checkbox"/> Surface mount bracket under counter mount (for use with rigid arms)	4289 White / 4291 Gray	\$67.30	
<input type="checkbox"/> Post Mount, 2" (for use with rigid arms)	8259 White / 8253 Gray	\$72.50	
<input type="checkbox"/> Post Top Mount, 2" (for use with rigid arms)	8489 White / 8294 Gray	\$141.30	

### Step 4 Select Your Additional Options

	Part Number	Retail Price	TOTAL
<input type="checkbox"/> Economy clean water system	8139QS	\$224.60	
<input type="checkbox"/> Asepsis Dual clean water system	8178QS	\$364.40	



8634, 8303, 8306, 8253



8634, 8304, 8303, 8308



8634, 8303, 8306, 4291

• Other mounting combinations possible



- Manual control for 2 handpieces
- Precision Comfort® Syringe
- Standard Foot Control
- 7 ft. of 5/8" umbilical
- 4-Hole Straight Gray Tubing is Standard, with other tubing styles and colors available upon request.

✓ - Standard Features    □ - Choose Your Option

	Part Number	Retail Price	TOTAL
<b>Step 1 Select Your Delivery System</b>			
Alternative Cabinet or Wall Mount Manual Control, 1 Wet & 1 Dry	<input type="checkbox"/>	4120	\$543.40
Alternative Cabinet or Wall Mount Manual Control, 2 Wet	<input type="checkbox"/>	4121	\$590.00

### Step 2 Configure Your Control Head Options

	(All tubings are Gray. If nothing is selected - highlighted positions will be used)	Part Number	Handpiece Positions					Retail Price	TOTAL
			0	1	2	3	4		
✓ DCI Precision Comfort Syringe and tubing									
✓ HP Tubing 4 Hole Asepsis									
<input type="checkbox"/> ISO-C 6-Pin Standard 2 HP Illumination System (Includes a 9481 tubing)		9903						\$280.00	
<input type="checkbox"/> ISO 5-Hole Standard 2 HP Illumination System (Includes a 9976 tubing)		9898						\$370.00	
<input type="checkbox"/> ISO-C 6-Pin Economy HP Illumination System (Includes a 9481 tubing)		9878						\$230.00	
<input type="checkbox"/> ISO 5-Hole Economy HP Illumination System (Includes a 9976 tubing)		9883						\$320.00	
<input type="checkbox"/> Additional ISO-C 6-Pin Tubing Option for Illumination Systems		9481						\$174.00	
<input type="checkbox"/> Additional ISO 5-Hole Tubing Option for Illumination Systems		9976						\$174.00	
✓ Standard Foot Control								Included	
<input type="checkbox"/> Add scaler / chip air button to foot control		4346						\$80.00	





4120 / 4121

### Step 3 Configure Your Mounting Style

		Part Number	Retail Price	TOTAL
<input type="checkbox"/>	Control Mount Bracket (for use with rigid arms)	8336 White / 8634 Gray	\$107.70	
<input type="checkbox"/>	Rigid Arm, 6"	8337 White / 8303 Gray	\$64.20	
<input type="checkbox"/>	Rigid Arm, 8", Dual Pivot Arm	8338 White / 8304 Gray	\$66.30	
<input type="checkbox"/>	Rigid Arm, 12"	8356 White / 8306 Gray	\$72.50	
<input type="checkbox"/>	Rigid Arm, 16"	8357 White / 8307 Gray	\$78.70	
<input type="checkbox"/>	Surface mount bracket vertical (for use with rigid arms)	8378 White / 8308 Gray	\$60.90	
<input type="checkbox"/>	Surface mount bracket horizontal (for use with rigid arms)	8379 White / 8309 Gray	\$60.90	
<input type="checkbox"/>	Surface mount bracket under counter mount (for use with rigid arms)	4289 White / 4291 Gray	\$67.30	
<input type="checkbox"/>	Post Mount, 2" (for use with rigid arms)	8259 White / 8253 Gray	\$72.50	
<input type="checkbox"/>	Post Top Mount, 2" (for use with rigid arms)	8489 White / 8294 Gray	\$141.30	

### Step 4 Select Your Additional Options

		Part Number	Retail Price	TOTAL
<input type="checkbox"/>	Economy clean water system	8139QS	\$224.60	
<input type="checkbox"/>	Asepsis Dual clean water system	8178QS	\$364.40	



8634, 8303, 4291



8634, 8303, 8294



8634, 8304, 8308

• Other mounting combinations possible



- 2 Handpiece Flex Arm System
- Can mount on 2" Post
- Choose between Automatic or Manual
- Precision Comfort® Syringe
- 6 ft. 1/2" Umbilical
- 4-Hole Straight Gray Tubing is Standard, with other tubing styles and colors available upon request.

✓ - Standard Features     - Choose Your Option

		Part Number	Retail Price	TOTAL
<b>Step 1 Select Your Delivery Unit</b>				
DCI III Automatic control for 2 Handpiece, 2 Wet	<input type="checkbox"/>	4506	White	\$ 822.90
DCI III Manual control for 2 Handpiece, 1 Wet & 1 Dry	<input type="checkbox"/>	4502	White	\$ 507.20

### Step 2 Configure Your Control Head Options

	(All tubings are Gray. If nothing is selected - highlighted positions will be used)	Part Number	Handpiece Positions					Retail Price	TOTAL
			0	1	2	3	4		
✓ DCI Precision Comfort Syringe and tubing									Included
✓ HP Tubing 4 Hole Asepsis									Included
<input type="checkbox"/> ISO-C 6-Pin Standard 2 HP Illumination System (Includes a 9481 tubing)		9903							\$280.00
<input type="checkbox"/> ISO 5-Hole Standard 2 HP Illumination System (Includes a 9976 tubing)		9898							\$370.00
<input type="checkbox"/> ISO-C 6-Pin Economy HP Illumination System (Includes a 9481 tubing)		9878							\$230.00
<input type="checkbox"/> ISO 5-Hole Economy HP Illumination System (Includes a 9976 tubing)		9883							\$320.00
<input type="checkbox"/> Additional ISO-C 6-Pin Tubing Option for Illumination Systems		9481							\$174.00
<input type="checkbox"/> Additional ISO 5-Hole Tubing Option for Illumination Systems		9976							\$174.00
✓ Individual Drive air controls									Included
✓ Foot Control									Included
✓ 6 foot of 1/2" Umbilical									Included
<input type="checkbox"/> Add scaler / chip air button to foot control		4346							\$80.00





4506 / 4502

### Step 3 Configure Your Mounting Style

	Part Number	Retail Price	TOTAL
<input type="checkbox"/> Control Mount Bracket (for use with rigid arms)	8336 White / 8634 Gray	\$107.70	
<input type="checkbox"/> Rigid Arm, 6"	8337 White / 8303 Gray	\$64.20	
<input type="checkbox"/> Rigid Arm, 8", Dual Pivot Arm	8338 White / 8304 Gray	\$66.30	
<input type="checkbox"/> Rigid Arm, 12"	8356 White / 8306 Gray	\$72.50	
<input type="checkbox"/> Rigid Arm, 16"	8357 White / 8307 Gray	\$78.70	
<input type="checkbox"/> Surface mount bracket vertical (for use with rigid arms)	8378 White / 8308 Gray	\$60.90	
<input type="checkbox"/> Surface mount bracket horizontal (for use with rigid arms)	8379 White / 8309 Gray	\$60.90	
<input type="checkbox"/> Surface mount bracket under counter mount (for use with rigid arms)	4289 White / 4291 Gray	\$67.30	
<input type="checkbox"/> Post Mount, 2" (for use with rigid arms)	8259 White / 8253 Gray	\$72.50	
<input type="checkbox"/> Post Top Mount, 2" (for use with rigid arms)	8489 White / 8294 Gray	\$141.30	

### Step 4 Select Your Additional Options

<input type="checkbox"/> Economy clean water system	8139QS	\$224.60	
<input type="checkbox"/> Asepsis Dual clean water system	8178QS	\$364.40	



8634, 8303, 4291



8634, 8304, 8294



8634, 8304, 8308

• Other mounting combinations possible





- Can mount on 2" Post
- Precision Comfort® Syringe
- 6 ft. ½" Umbilical
- 4-Hole Straight Gray Tubing is Standard, with other tubing styles and colors available upon request.
- Dimensions: 6" x 4 1/4" x 2 1/4"

✓ - Standard Features     - Choose Your Option

		Part Number	Retail Price	TOTAL
<b>Step 1 Select Your Delivery Unit</b>				
DCI II manual control for 2 handpiece, 2 Wet	<input type="checkbox"/>	4106	White	\$ 495.80
DCI II manual control for 2 handpiece 1 Wet & 1 Dry	<input type="checkbox"/>	4102	White	\$ 455.40

### Step 2 Configure Your Control Head Options

	(All tubings are Gray. If nothing is selected - highlighted positions will be used)	Part Number	Handpiece Positions					Retail Price	TOTAL
			0	1	2	3	4		
✓ DCI Precision Comfort Syringe and tubing								Included	
✓ HP Tubing 4 Hole Asepsis								Included	
<input type="checkbox"/> ISO-C 6-Pin Standard 2 HP Illumination System (Includes a 9481 tubing)		9903						\$280.00	
<input type="checkbox"/> ISO 5-Hole Standard 2 HP Illumination System (Includes a 9976 tubing)		9898						\$370.00	
<input type="checkbox"/> ISO-C 6-Pin Economy HP Illumination System (Includes a 9481 tubing)		9878						\$230.00	
<input type="checkbox"/> ISO 5-Hole Economy HP Illumination System (Includes a 9976 tubing)		9883						\$320.00	
<input type="checkbox"/> Additional ISO-C 6-Pin Tubing Option for Illumination Systems		9481						\$174.00	
<input type="checkbox"/> Additional ISO 5-Hole Tubing Option for Illumination Systems		9976						\$174.00	
✓ Individual Drive air controls								Included	
✓ Economy Foot Control								Included	
✓ 6 foot of 1/2" Umbilical								Included	
<input type="checkbox"/> Add scaler / chip air button to foot control		4346						\$80.00	







4102 / 4106

### Step 3 Configure Your Mounting Style

		Part Number	Retail Price	TOTAL
<input type="checkbox"/>	Control Mount Bracket (for use with rigid arms)	8336 White / 8634 Gray	\$107.70	
<input type="checkbox"/>	Rigid Arm, 6"	8337 White / 8303 Gray	\$64.20	
<input type="checkbox"/>	Rigid Arm, 8", Dual Pivot Arm	8338 White / 8304 Gray	\$66.30	
<input type="checkbox"/>	Rigid Arm, 12"	8356 White / 8306 Gray	\$72.50	
<input type="checkbox"/>	Rigid Arm, 16"	8357 White / 8307 Gray	\$78.70	
<input type="checkbox"/>	Surface mount bracket vertical (for use with rigid arms)	8378 White / 8308 Gray	\$60.90	
<input type="checkbox"/>	Surface mount bracket horizontal (for use with rigid arms)	8379 White / 8309 Gray	\$60.90	
<input type="checkbox"/>	Surface mount bracket under counter mount (for use with rigid arms)	4289 White / 4291 Gray	\$67.30	
<input type="checkbox"/>	Post Mount, 2" (for use with rigid arms)	8259 White / 8253 Gray	\$72.50	
<input type="checkbox"/>	Post Top Mount, 2" (for use with rigid arms)	8489 White / 8294 Gray	\$141.30	

### Step 4 Select Your Additional Options

<input type="checkbox"/>	Economy clean water system	8139QS	\$224.60	
<input type="checkbox"/>	Asepsis Dual clean water system	8178QS	\$364.40	



8634, 8303, 8306, 8253



8634, 8308



8634, 8304, 8303, 8308



- Individual drive air & water coolant controls
- Precision Comfort® Syringe
- Wet/Dry foot control
- Control dimensions: 8 1/2" x 1 3/4" x 5"
- Cut-out dimensions: 7 1/2" x 1 1/2"
- Horizontal system can be mounted to top or bottom of surface
- 4-Hole Straight Gray Tubing is Standard, with other tubing styles and colors available upon request.

✓ - Standard Features     - Choose Your Option

		Part Number	Retail Price	TOTAL
<b>Step 1 Select Your Delivery Unit</b>				
Panel Mount Automatic Control for 3 HP	<input type="checkbox"/>	4415	White	\$874.60
Horizontal Mount Automatic Control for 3 HP	<input type="checkbox"/>	4416	White	\$1045.40

### Step 2 Configure Your Control Head Options

	(All tubings are <b>Gray</b> . If nothing is selected - highlighted positions will be used)	Part Number	Handpiece Positions					Retail Price	TOTAL
			0	1	2	3	4		
✓ DCI Precision Comfort Syringe and tubing								Included	
✓ HP Tubing 4 Hole Asepsis								Included	
<input type="checkbox"/> ISO-C 6-Pin Deluxe 3 HP Illumination System (Includes a 9481 tubing)		9886						\$530.00	
<input type="checkbox"/> ISO 5-Hole Deluxe 3 HP Illumination System (Includes a 9976 tubing)		9891						\$620.00	
<input type="checkbox"/> ISO-C 6-Pin Standard 2 HP Illumination System (Includes a 9481 tubing)		9903						\$280.00	
<input type="checkbox"/> ISO 5-Hole Standard 2 HP Illumination System (Includes a 9976 tubing)		9898						\$370.00	
<input type="checkbox"/> ISO-C 6-Pin Economy HP Illumination System (Includes a 9481 tubing)		9878						\$230.00	
<input type="checkbox"/> ISO 5-Hole Economy HP Illumination System (Includes a 9976 tubing)		9883						\$320.00	
<input type="checkbox"/> Additional ISO-C 6-Pin Tubing Option for Illumination Systems		9481						\$174.00	
<input type="checkbox"/> Additional ISO 5-Hole Tubing Option for Illumination Systems		9976						\$174.00	
✓ Individual Drive air & water coolant controls								Included	
✓ Wet/Dry Foot Control								Included	
✓ 6 foot of 1/2" Umbilical								Included	
<input type="checkbox"/> Add scaler / chip air button to foot control		4346						\$80.00	





4415



4416

**Step 3 Select Your Additional Options**

<input type="checkbox"/>	Holder Bar, Under Counter Swing Mount, White	4445	\$144.90
<input type="checkbox"/>	Asepsis Dual clean water system	8178QS	\$364.40
<input type="checkbox"/>	Economy clean water system	8139QS	\$224.60
<input type="checkbox"/>	Wall & Cabinet Mount Assistant's Instrumentation Premium Precision Comfort	5432	\$590.00
<input type="checkbox"/>	Precision Comfort Assistant's Package, 2 HVE, SE, SYR	5364	\$367.50
<input type="checkbox"/>	Vertical Mount Assistant's Holders, 4 Position	5373	\$96.30



4445



8178QS



8139QS



- Individual drive air & water coolant controls
- Precision Comfort® Syringe
- Economy foot control
- Control dimensions: 8 1/2" x 13/4" x 5"
- Cut-out dimensions: 7 1/2" x 11/2"
- Horizontal system can be mounted to top or bottom of surface
- 4-Hole Straight Gray Tubing is Standard, with other tubing styles and colors available upon request.

✓ - Standard Features    ☐ - Choose Your Option

		Part Number	Retail Price	TOTAL
<b>Step 1 Select Your Delivery Unit</b>				
Panel Mount Manual Control for 2 HP	<input type="checkbox"/>	4400	White	\$564.10
Horizontal Mount Manual Control for 2 HP	<input type="checkbox"/>	4401	White	\$631.40

### Step 2 Configure Your Control Head Options

	(All tubings are Gray. If nothing is selected - highlighted positions will be used)	Part Number	Handpiece Positions					Retail Price	TOTAL
			0	1	2	3	4		
✓ DCI Precision Comfort Syringe and tubing								Included	
✓ HP Tubing 4 Hole Asepsis								Included	
<input type="checkbox"/> ISO-C 6-Pin Standard 2 HP Illumination System (Includes a 9481 tubing)		9903						\$280.00	
<input type="checkbox"/> ISO 5-Hole Standard 2 HP Illumination System (Includes a 9976 tubing)		9898						\$370.00	
<input type="checkbox"/> ISO-C 6-Pin Economy HP Illumination System (Includes a 9481 tubing)		9878						\$230.00	
<input type="checkbox"/> ISO 5-Hole Economy HP Illumination System (Includes a 9976 tubing)		9883						\$320.00	
<input type="checkbox"/> Additional ISO-C 6-Pin Tubing Option for Illumination Systems		9481						\$174.00	
<input type="checkbox"/> Additional ISO 5-Hole Tubing Option for Illumination Systems		9976						\$174.00	
✓ Individual Drive air & water coolant controls								Included	
✓ Economy Foot Control								Included	
✓ 6 foot of 1/2" Umbilical								Included	
<input type="checkbox"/> Add scaler / chip air button to foot control		4346						\$80.00	





4400



4401

### Step 3 Select Your Additional Options

<input type="checkbox"/>	Holder Bar, Under Counter Swing Mount, White	4445		\$144.90
<input type="checkbox"/>	Asepsis Dual clean water system	8178QS		\$364.40
<input type="checkbox"/>	Economy clean water system	8139QS		\$224.60
<input type="checkbox"/>	Wall & Cabinet Mount Assistant's Instrumentation Premium Precision Comfort	5432		\$590.00
<input type="checkbox"/>	Precision Comfort Assistant's Package, 2 HVE, SE, SYR	5364		\$367.50
<input type="checkbox"/>	Vertical Mount Assistant's Holders, 4 Position	5373		\$96.30



5432



5373 / 5364



4378

## Automatic Control Unit, 3 HP, for A-dec® Cascade®

The Arm Mounted Automatic Control Unit features a new, simplified design with straightforward internals such as a single diaphragm control block without any moving pistons, springs, or O-rings and a simple combination valve for water flow control. This unit is a direct replacement for A-dec® Cascade® models.

- Quick install that takes less than an hour
- Replacement for A-dec® Cascade®
- 12 ft. color matched internal umbilical
- Color matched to original A-dec® Surf
- Individual Non-retracting Water Coolant
- Includes Precision Comfort® Syringe

✓ - Standard Features     - Choose Your Option

	Part Number	Retail Price	TOTAL
<b>Step 1 Choose Your Delivery Unit</b>			
Arm Mounted Automatic Control Unit for 3 HP, to Fit A-dec® Cascade®	<input type="checkbox"/> 4378	Surf	\$1,242.00

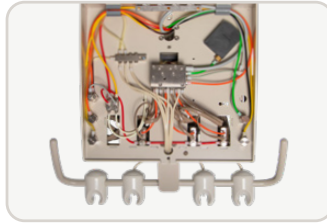
A-dec® and Cascade® are registered trademarks of A-dec®, Inc. These parts are manufactured by DCI to fit A-dec® equipment. DCI has no affiliation with A-dec® and A-dec® has not authorized DCI replacement parts to be used on or in connection with A-dec® products.





### Direct Replacement

PN 4378, Arm-Mounted Automatic Control Unit is a direct replacement for all Cascade® models with a 2" head mount. The smooth asepsis design, sand color, and standard features make it perfect for replacing a standard Cascade® unit.



### Simplified Design

The simplified design adds individual holders for easier upkeep and a more reliable robust mount.



### Matching Features

This three HP automatic unit comes with an air/water syringe, individual water flow control, chip air adjustment, flush system, and brake activation on the left and right side of the head.

## The Arm Mounted Automatic Control Unit comes standard with a full length 12' umbilical

If the original umbilical is damaged, string the new one to the junction box or cut the umbilical short. Then, match the colors and align them together at the upper 2" control mount.



4378

A-dec® and Cascade® are registered trademarks of A-dec®, Inc. These parts are manufactured by DCI to fit A-dec® equipment. DCI has no affiliation with A-dec® and A-dec® has not authorized DCI replacement parts to be used on or in connection with A-dec® products.





4446

## Pelton & Crane® Executive Conversion Kit

Direct-fit replacement for Pelton & Crane® OEM Executive Unit with a modern upgrade. The P&C Executive Conversion Kit can also be used as a slide-out dental unit, on any cabinet with a 12.5" opening.

- Precision Comfort® Premium Autoclavable Vacuum Valves, 2 HVE, 1 SE
- Includes 8323 utility center
- Automatic handpiece holders w/ manual lockout toggle
- Variable speed disc-type foot control w/ wet/dry toggle
- Precision Comfort® three-way syringe
- Dimensions: 12 1/2" x 18" x 4 1/2"
- 6 ft. Umbilical

✓ - Standard Features     - Choose Your Option

	Part Number	Retail Price	TOTAL
<b>Step 1 Choose Your Delivery Unit</b>			
Pelton & Crane Executive Conversion Kit	<input type="checkbox"/> 4446	\$2,882.10	







6559



4198

**Air & Water Auxiliary QD Panel**

- 1/4" Water quick connect w/ flow control
- 3/8" Air quick connect w/ on/off switch
- Dimensions: 3" x 4"
- Available in white or gray

**Laboratory Handpiece Control Kit**

- Requires air only
- 4-hole handpiece tubing
- Handpiece holder & bar
- Economy foot control
- Air regulator w/ gauge

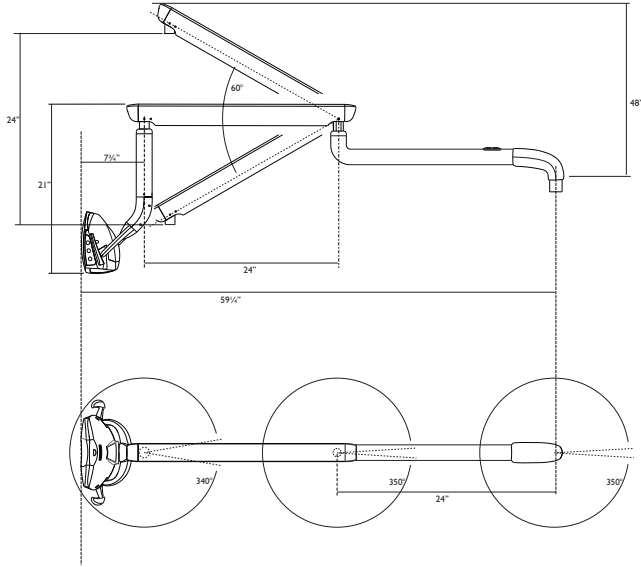
✓ - Standard Features    □ - Choose Your Option

Part Number	Retail Price	TOTAL
-------------	--------------	-------

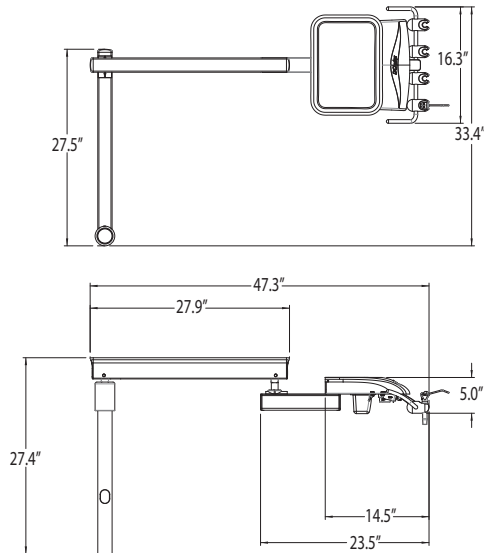
**Step 1 Choose Your Delivery Unit**

Air & Water Auxiliary QD Panel	<input type="checkbox"/>	6569	White	\$190.00	
	<input type="checkbox"/>	6559	Gray	\$190.00	
Laboratory Handpiece Control Kit	<input type="checkbox"/>	4198	Gray	\$173.90	

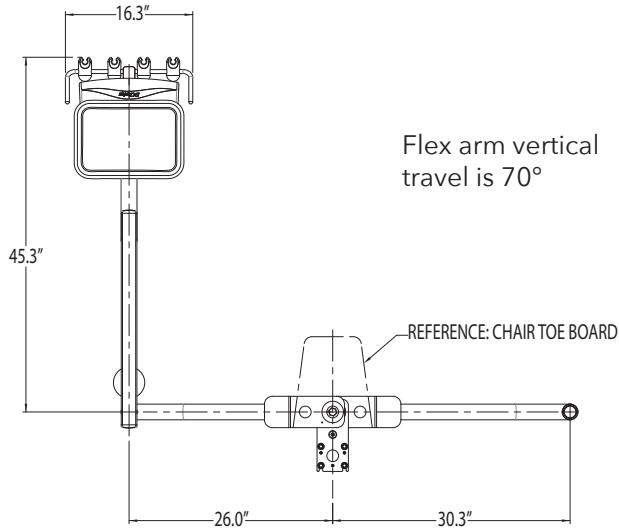
### Reliance LED Operatory Post Mount Light



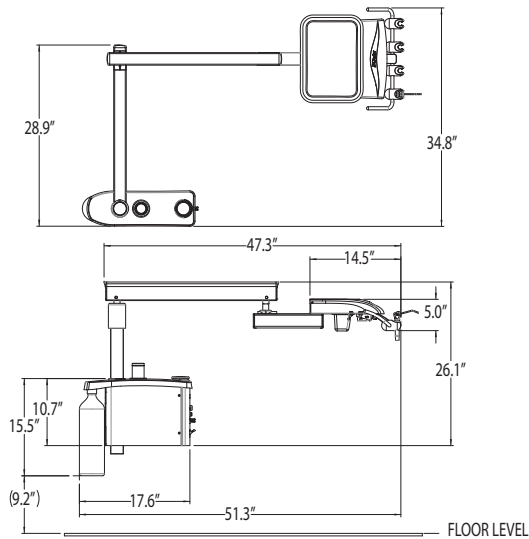
### Reliance Over the Patient Automatic Delivery System



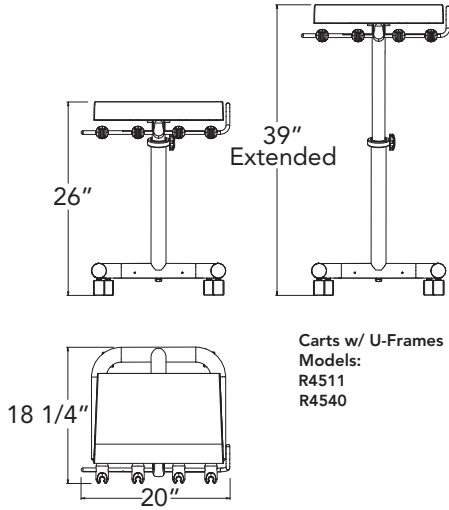
### Reliance Swing Mount Pole w/ Automatic Delivery System & Light Pole



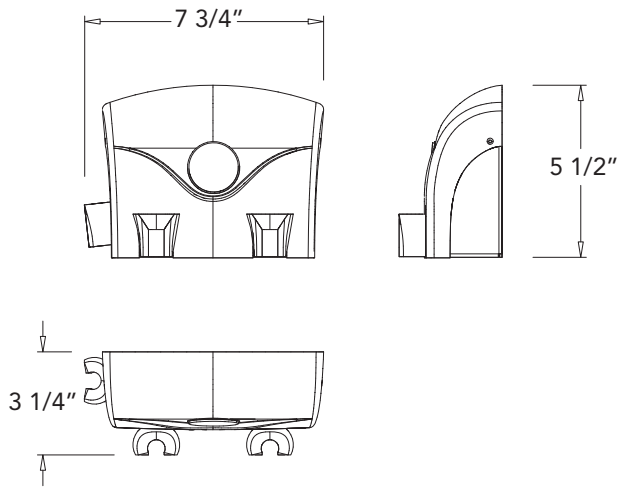
### Reliance Over the Patient Automatic Delivery System w/ PMU & Assistant's Package



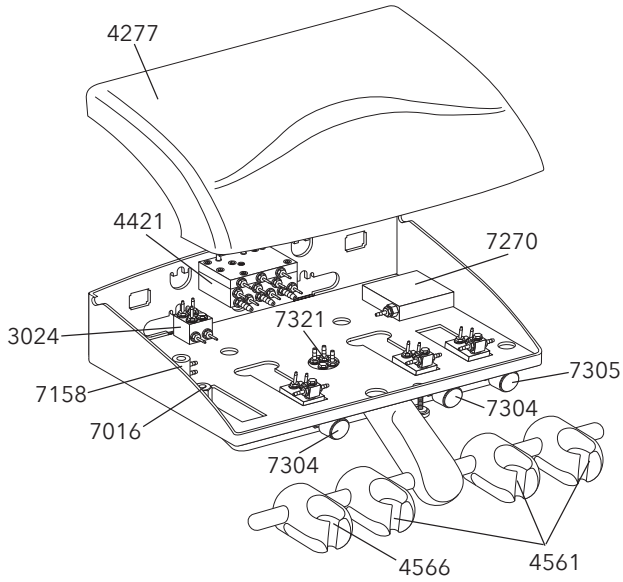
### Reliance Automatic Cart



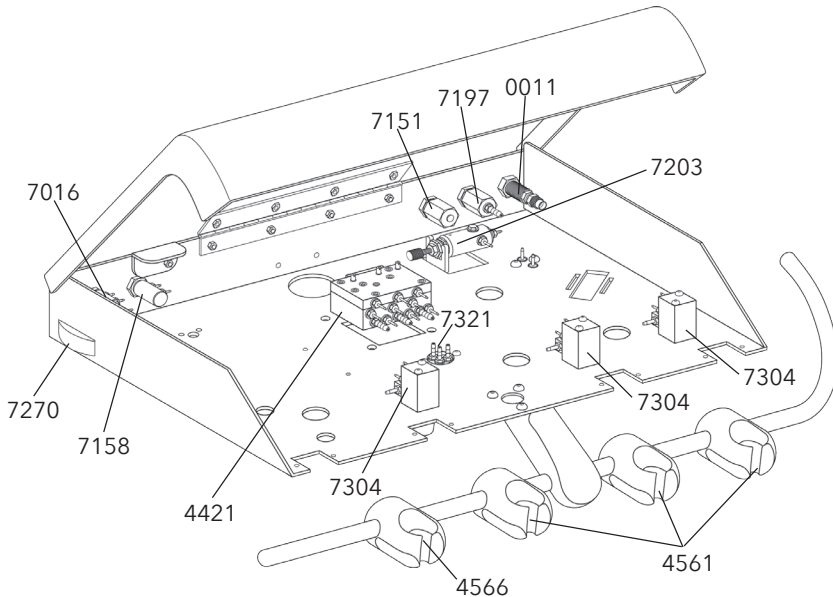
### DCI III Manual Unit 4502



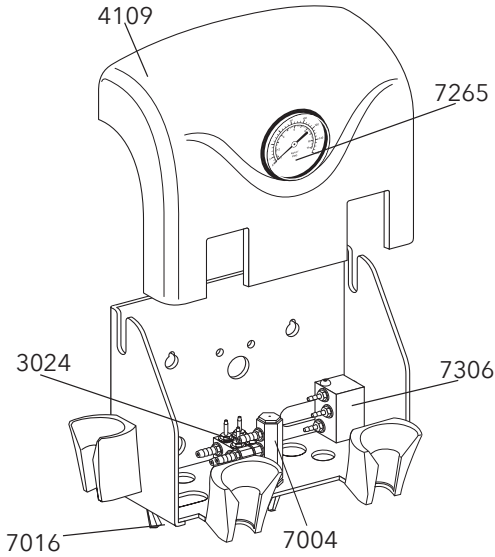
### Reliance Automatic Control



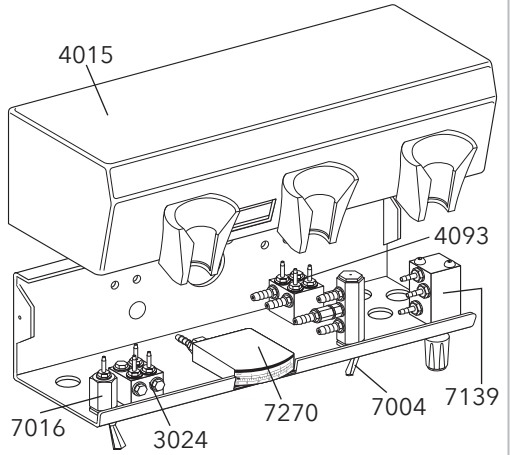
### Reliance Automatic Cart Unit R4511, R4540 & R4542



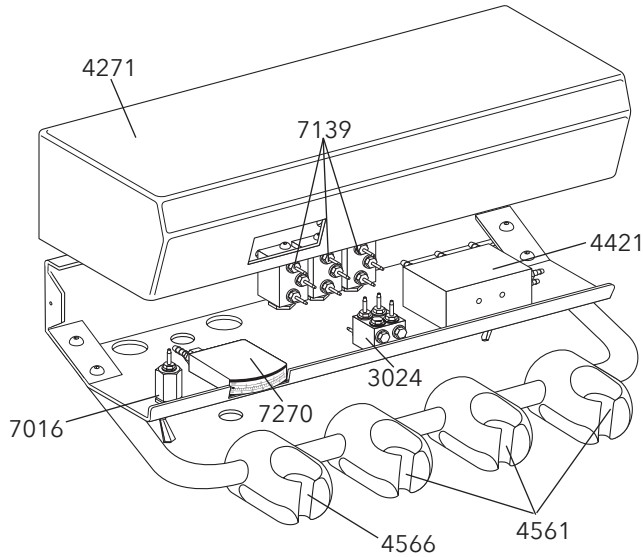
### DCI III Manual Unit 4502



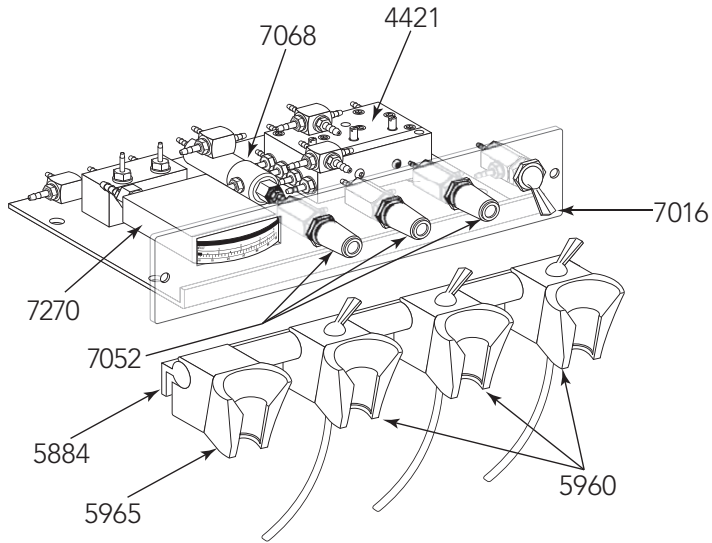
### Alternative Manual Control 4120 & 4121



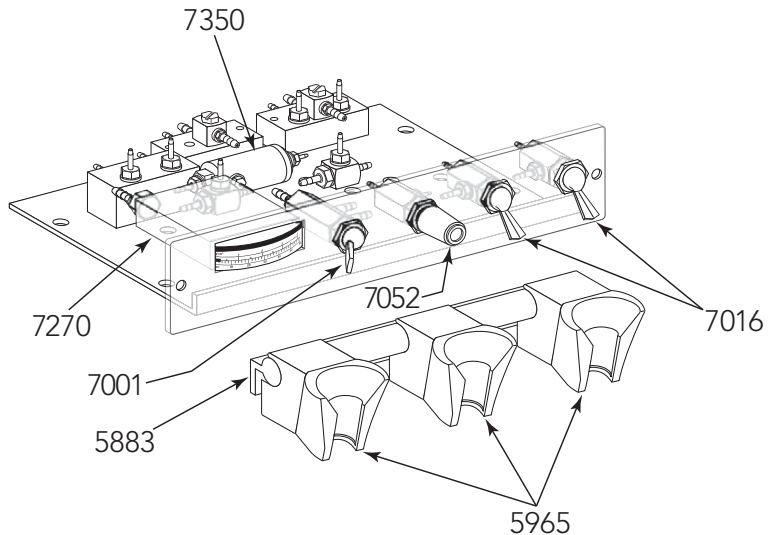
### Alternative Automatic Control 4370



### Panel & Horizontal Surface Mount Control 4415 & 4416



### Panel & Horizontal Surface Mount Control 4400 & 4401







# Operator Accessories



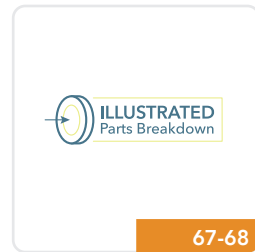
62-64

Water Systems



65-66

Water System  
Accessories



67-68

Illustrated Parts  
Breakdown &  
Dimensional  
Measurements



8143

## Economy Self-Contained Water Systems

The **Economy Self-Contained Water Systems** are pressure-controlled by an adjustable regulator and feature a gauge that displays the bottle pressure. They can be mounted to any flat vertical surface as well as the capability to be attached to a post-mount. The available water systems are now available with the built-in quick-switch option.

### FEATURED



8143

## Economy Self-Contained Water Systems

	PN <b>8143</b>	2-Liter Deluxe System.....	<b>\$200.80</b>
<b>NEW</b>	PN <b>8143QS</b>	2-Liter Deluxe System w/ Quick-Switch.....	<b>\$229.80</b>

- Deluxe models have a selector toggle allowing you to switch between city & bottled water
- 750 ml & 2 liter heavy duty bottles
- Standard 28mm thread or patented quick-switch system for water bottle
- Gauge 7260 shows bottle pressure
- Bracket mounts to any flat vertical surface
- Optional post-mount available
- On/off toggle releases bottle pressure



## Water System Quick-Switch



▲ Push the bottle up into the cylinder opening



↪ Twist bottle to the right until it clicks in

Now offering the quick-switch bottle system integrated into the clean water systems for your convenience. The QS system allows you to remove and replace water bottles with speed and ease.

### FEATURED

## Economy Self-Contained Water Systems



8145QS



8162

	PN <b>8144</b>	2-Liter Standard System.....	<b>\$168.80</b>
<b>NEW</b>	PN <b>8144QS</b>	2-Liter Standard System w/ Quick-Switch.....	<b>\$229.80</b>
	PN <b>8143</b>	2-Liter Deluxe System.....	<b>\$200.80</b>
<b>NEW ITEMS</b>	PN <b>8143QS</b>	2-Liter Deluxe System w/ Quick-Switch.....	<b>\$229.80</b>
	PN <b>4788</b>	1-Liter Deluxe System.....	<b>\$191.50</b>
	PN <b>8145</b>	750-ml Standard System (includes extra bottle).....	<b>\$163.60</b>
<b>NEW</b>	PN <b>8145QS</b>	750-ml Standard System w/ Quick-Switch (includes extra bottle).....	<b>\$224.60</b>
	PN <b>8139</b>	750-ml Deluxe System (includes extra bottle).....	<b>\$195.70</b>
<b>NEW</b>	PN <b>8139QS</b>	750-ml Deluxe System w/ Quick-Switch (includes extra bottle).....	<b>\$224.60</b>
	PN <b>8137</b>	Adapter to Mount Water System to 2" Post Anodized Aluminum.....	<b>\$67.80</b>
	PN <b>8162</b>	Adapter to Mount Water System to 2" Post White Powder Coat.....	<b>\$67.80</b>

- Deluxe models have a selector toggle allowing you to switch between city & bottled water
- 750 ml & 2 liter heavy duty bottles
- Standard 28mm thread or patented quick-switch system for water bottle
- Gauge 7260 shows bottle pressure
- Bracket mounts to any flat vertical surface
- Optional post-mount available
- On/off toggle releases bottle pressure

## FEATURED

### Asepsis Self-Contained Water Systems



8178



8162



8184QS

	PN 8177	Dual 750-ml Asepsis Standard System.....	\$299.70
<b>NEW</b>	PN 8177QS	Dual 750-ml Asepsis Standard System w/ Quick-Switch.....	\$327.10
	PN 8178	Dual 750-ml Asepsis Deluxe System.....	\$338.00
<b>NEW</b>	PN 8178QS	Dual 750-ml Asepsis Deluxe System w/ Quick-Switch.....	\$364.40
	PN 8179	Dual 2-liter Asepsis Standard System.....	\$310.50
<b>NEW</b>	PN 8179QS	Dual 2-Liter Asepsis Standard System w/ Quick-Switch.....	\$337.50
	PN 8180	Dual 2-liter Asepsis Deluxe System.....	\$348.30
<b>NEW</b>	PN 8180QS	Dual 2-Liter Asepsis Deluxe System w/ Quick-Switch.....	\$374.70
	PN 8181	Single 750-ml Asepsis Standard System (includes extra bottle).....	\$226.20
<b>NEW</b>	PN 8181QS	Single 750-ml Asepsis Standard System w/ Quick Switch (includes extra bottle).....	\$254.70
	PN 8182	Single 750-ml Asepsis Deluxe System (includes extra bottle).....	\$264.00
<b>NEW</b>	PN 8182QS	Single 750-ml Asepsis Deluxe System w/ Quick Switch (includes extra bottle).....	\$291.90
	PN 8183	Single 2-liter Asepsis Standard System.....	\$231.40
<b>NEW</b>	PN 8183QS	Single 2-Liter Asepsis Standard System w/ Quick-Switch.....	\$259.80
	PN 8184	Single 2-liter Asepsis Deluxe System.....	\$269.70
<b>NEW</b>	PN 8184QS	Single 2-Liter Asepsis Deluxe System w/ Quick-Switch.....	\$297.10
	PN 8137	Adapter to Mount Water System to 2" Post Anodized Aluminum.....	\$67.80
	PN 8162	Adapter to Mount Water System to 2" Post White Powder Coat.....	\$67.80
<b>NEW ITEMS</b>	PN 8928	Asepsis Self-Contained Deluxe Single Water System w/2 Liter Bottle & 2" Clamp.....	\$326.10
	PN 8928QS	Asepsis Self-Contained Deluxe QS Single Water System w/ 2 Liter Bottle & 2" Clamp.....	\$355.00

- Deluxe models have a selector toggle allowing you to switch between city & bottled water
- Models for 750-ml & 2-liter bottles
- Standard 28mm thread or patented quick-switch system for water bottle
- Pressure gauge 7265
- Mounts to vertical surfaces
- Optional post-mount available
- On/off toggle releases bottle pressure
- Air purge toggle
- Metal cover w/ white powder coat finish



FEATURED

DCI Quick-Switch Water Bottle System



NEW  
ITEMS

NEW

PN 8941	Kit (contains converter & adapter).....	\$74.10
PN 8942	Converter, Manifold QS w/ O-Ring.....	\$48.70
PN 8943	Adapter, Bottle QS w/ Washer.....	\$34.20
PN 8944	Adapter, Bottle QS (pkg of 5).....	\$132.00
PN 2297	O-Ring for Converter Manifold (pkg of 12).....	\$3.11
PN 8134QS	Universal Quick-Switch Manifold w/Barbs.....	\$64.20
PN 4790	Quick-Switch Manifold Assy w/ Gauge Port.....	\$23.50
PN 8946	Integrated Quick-Switch Manifold.....	\$23.90
PN 8947	Cap 1.5 Diameter (for QS bottle).....	\$1.56

- Easy installation requires no tools
- Saves time in changing bottles
- Self-locking feature ensures proper positioning when pressurized
- Automatic pressure release when removing bottle
- Patented design exclusive to DCI

FEATURED

Heavy-Duty Bottles for Dental  
Unit Water Systems



NEW  
ITEMS

NEW

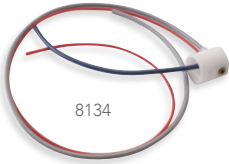
PN 8128	750 ml Plastic Bottle w/ Cap & Pick-Up Tube.....	\$7.50
PN 8669	1-Liter Plastic Bottle w/ Cap & Pick-Up Tube.....	\$7.90
PN 6934	1.5 Liter Bottle w/Cap & Pick-up Tube.....	\$11.40
PN 8669QS	1-Liter Plastic Bottle w/Quick-Switch Bottle Adapter.....	\$36.30
PN 8164	2-Liter Plastic Bottle w/ Cap & Pick-Up Tube.....	\$12.70
PN 8126	Bottle Cap (for screw-on bottle).....	\$0.42

Standard Bottles

- Heavy wall construction, safely operated at normal water system pressure
- High Density Polyethylene (HDPE) is compatible w/ coolant liquids used in dentistry
- Can be used on most Dental Systems (w/ the Universal Manifold 8134 or 8119)
- Bottle dimensions:  
(750-ml, 3" W x 9 1/2" H),  
(1-liter, 3 1/2"W x 11" H),  
(2-liter, 4" W x 13 7/8" H)
- Standard 28 mm threads
- Washer now included!

## FEATURED

## Water System Component Parts



8134

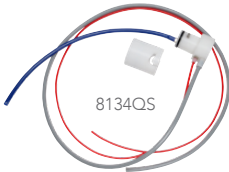
PN 0165 Barb, 1/16" for Water System Manifold..... \$ .94

PN 0166 Barb, 1/8" for Water System Manifold..... \$ .94

PN 8134 Universal Manifold w/ Barbs (fits most dental water systems).... \$31.60

NEW

PN 8134QS Universal Quick-Switch Manifold with Barbs..... \$64.20



8134QS

PN 8136 Manifold Washer..... \$3.21

- .720 ID x 1.063 OD

PN 8146 Manifold Assembly w/ 750 ml Bottle for Water Systems..... \$37.30

PN 8147 Manifold Assembly w/ 2 Liter Bottle for Water Systems..... \$39.70

PN 8119 Universal Manifold, Long Self Centering Neck, w/ Barbs..... \$27.00



8136

PN 8037 Pick-up Tube for 750 ml Bottle..... \$2.70

PN 8038 Pick-up Tube for 2 L Bottle..... \$3.32

NEW

PN 8039 Pick-up Tube for 1 L Bottle..... \$2.70



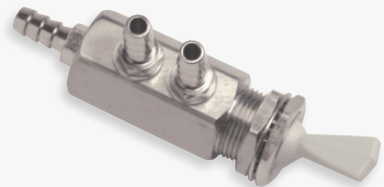
## TECH TIP

Is your water bottle filling up with water?

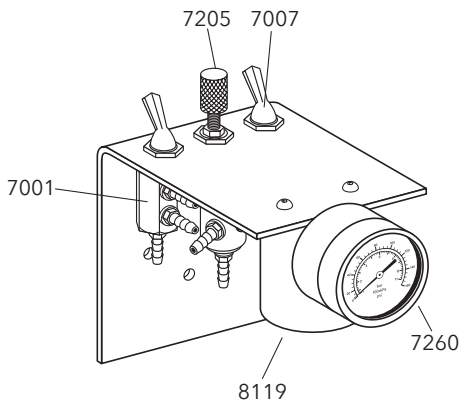
Water leaking out of the on/off toggle?

Air in the water?

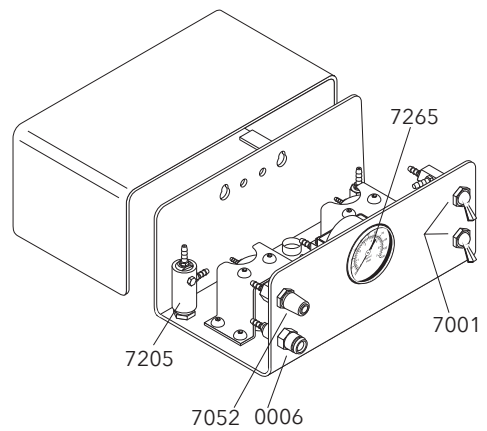
One of the more common failures of water bottle systems is the routing valve. Routing toggles are used in multiple places on the water bottle system; the purge, bottle selector and city/bottle selector. A failure of the purge can cause an air/water crossover condition while a failure of the city/bottle switch can cause a bottle to fill up, resulting in water getting into the on/off toggle and leaking out. Replace routing valve with PN 7001.



Economy Self-Contained  
Water System 8143



Asepsis Self-Contained  
Water System 8178



Part numbers	Dimensions
8144, 8143	3" x 5" x 16"
8145, 8139	3" x 5" x 12"
8177, 8178	8 1/4" x 4 1/2" x 13"
8179, 8180	8 1/4" x 4 1/2" x 17"
8181, 8182	5" x 4 1/2" x 13"
8183, 8184	5" x 4 1/2" x 17"



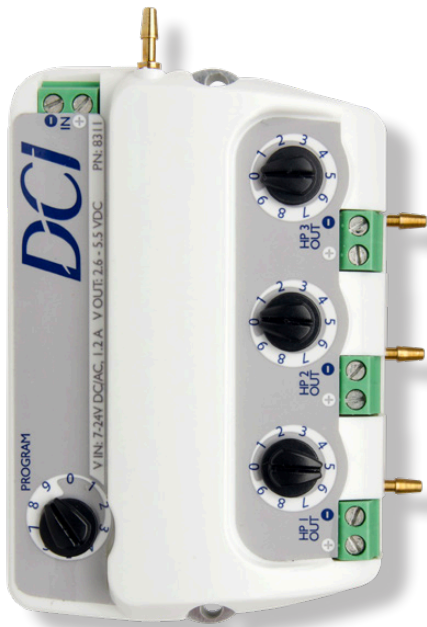
### Download the DCI Catalog App

Looking for a digital version of the DCI Catalog? Visit the iTunes or Android app store and download it today. View the catalog on your mobile device, iPad or laptop!





# Handpiece Accessories & Power Optics



70-75

Handpiece  
Light Source Systems



76

Replacement  
Handpiece Bulbs



77-78

Handpiece Connectors,  
Gaskets & Tools



79

Handpiece  
Flush System



80-81

DCI Handpiece Blocks  
& Accessories



82

Handpiece Tubing



9887

### New Deluxe, Standard and Economy System Kits

The New Handpiece Illumination Systems are available in Deluxe 3, Standard Dual, and Economy Single Handpiece Light Source System. These systems feature a voltage regulation and variable voltage output, which ensures a longer bulb life as well as adaptation to many manufacturers' handpiece voltage requirements.

#### FEATURED

NEW ITEMS

### ISO-C 6-Pin Deluxe 3 HP Illumination System, 7'



9886

DARK SURF	GRAY	LT SAND	STERLING	BLACK	
9887	9886	9894	9885	9888	\$530.00

Kit includes:

- 8311 Deluxe 3 Handpiece Light Source System
- 9358 Transformer, 120 VAC 50/60 HZ, Output 9VDC 2.2A
- 9499 5-Hole to 6-pin Converter
- Universal ISO-C 6-Pin Power Optic Tubing, 7ft

NEW ITEMS

### ISO 5-Hole Deluxe 3 HP Illumination System, 7'



9893

DARK SURF	GRAY	LT SAND	STERLING	BLACK	
9892	9891	9890	9889	9893	\$620.00

Kit includes:

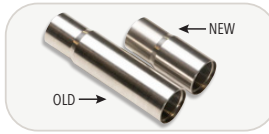
- 8311 Deluxe 3 Handpiece Light Source System
- 9358 Transformer, 120 VAC 50/60 HZ, Output 9VDC 2.2A
- 9395 Universal Tubing LED Bulb 3.5v DC
- Universal ISO-C 6-Pin Power Optic Tubing, 7ft
  - Preset at 3.5v DC



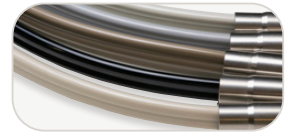
## 5-Hole & 6-Pin Illumination Systems



**Easily toggle between 6-Pin and 5-Hole** Each system features tubings that can be easily converted at the handpiece terminal.



**Reduces Wrist Fatigue**  
The shorter terminal nut for the 5-hole tubings creates less weight on the wrist.



**5 Colors Available**  
Our selection of tubing colors are great for matching popular manufacturer colors.

### FEATURED

NEW ITEMS

#### ISO-C 6-Pin Standard 2 HP System, 7' Tubing

DARK SURF	GRAY	LT SAND	STERLING	BLACK	
9902	9903	9904	9905	9901	\$280.00

Kit includes:

- 9348 Standard Dual Handpiece Light Source System
- 9358 Transformer, 120 VAC 50/60 HZ, Output 9VDC 2.2A
- 9499 5-Hole to 6-pin Converter
- Universal ISO-C 6-Pin Power Optic Tubing, 7ft



9905

NEW ITEMS

#### ISO 5-Hole Standard 2 HP System, 7' Tubing

DARK SURF	GRAY	LT SAND	STERLING	BLACK	
9897	9898	9899	9900	9896	\$370.00

Kit includes:

- 9348 Standard Dual Handpiece Light Source System
- 9358 Transformer, 120 VAC 50/60 HZ, Output 9VDC 2.2A
- 9395 Universal Tubing LED Bulb 3.5v DC
- Universal ISO-C 6-Pin Power Optic Tubing, 7ft
  - Preset at 3.5v DC



9896

### FEATURED

NEW ITEMS

#### ISO-C 6-Pin Economy 1 HP System, 7' Tubing

DARK SURF	GRAY	LT SAND	STERLING	BLACK	
9879	9878	9877	9876	9880	\$230.00

Kit includes:

- 8313 Economy Single Handpiece Light Source System
- 9358 Transformer, 120 VAC 50/60 HZ, Output 9VDC 2.2A
- 9499 5-Hole to 6-pin Converter
- Universal ISO-C 6-Pin Power Optic Tubing, 7ft



9878

NEW ITEMS

#### ISO 5-Hole Economy 1 HP System, 7' Tubing

DARK SURF	GRAY	LT SAND	STERLING	BLACK	
9884	9883	9882	9881	9895	\$320.00

Kit includes:

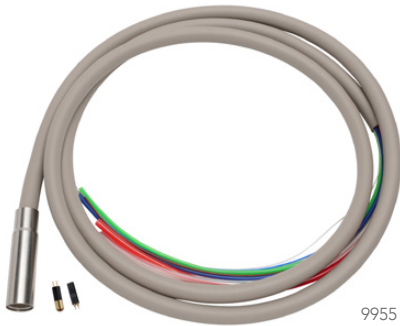
- 8313 Economy Single Handpiece Light Source System
- 9358 Transformer, 120 VAC 50/60 HZ, Output 9VDC 2.2A
- 9395 Universal Tubing LED Bulb 3.5v DC
- Universal ISO-C 6-Pin Power Optic Tubing, 7ft
  - Preset at 3.5v DC



9895

### FEATURED SHEATHED TUBING KIT

#### Sheathed 5-Hole & 6-Pin Tubing Kit



9955

**The Sheathed 5-Hole & 6-Pin Tubing Kit** comes with the tubing bundle, adaptor and bulb. These kits can be used as direct replacements for popular manufacturers' swivel tubing.



**Strong and easy to clean.**  
The Silcryn™ tubing features a supple finish which helps it gracefully glide along other tubing and surfaces, a velvety matte finish that looks great in any operator.



**3 Colors Available**  
Our selection of tubing colors are great for matching popular manufacturer colors.



**Easily toggle between 6-Pin and 5-Hole**  
Each system features tubings that can be easily converted at the handpiece terminal.



#### Sheathed 5-Hole & 6-Pin Tubing Kit

DARK SURF	GRAY	STERLING		
9955	9957	9959	5.5'	\$393.30
9956	9958	9960	7'	\$414.00

Kit includes:

- 9499 5-Hole to 6-pin Converter, HP Tubing
- 9395 Universal Tubing LED Bulb 3.5v DC
  - Requires 3.5v DC



**FEATURED**

NEW ITEMS

**Universal ISO-C 6-Pin Power Optics Tubing Kit**



9475

<u>DARK SURF</u>	<u>GRAY</u>	<u>LT SAND</u>	<u>STERLING</u>	<u>BLACK</u>		
9475	9476	9477	9478	9479	5' L.....	\$150.00
9480	9481	9482	9483	9484	7' L.....	\$174.00
9485	9486	9487	9488	9873	10' L.....	\$198.00
9489	9490	9491	9492	9872	12' L.....	\$212.00

Kit includes:

**9499** 5-Hole to 6-Pin Converter

**FEATURED**

NEW ITEMS

**Universal ISO 5-Hole Power Optics Tubing Kit**



9970

<u>DARK SURF</u>	<u>GRAY</u>	<u>LT SAND</u>	<u>STERLING</u>	<u>BLACK</u>		
9970	9971	9972	9973	9974	5' L.....	\$150.00
9975	9976	9977	9978	9979	7' L.....	\$174.00
9980	9981	9982	9983	9875	10' L.....	\$198.00
9984	9985	9986	9987	9874	12' L.....	\$212.00

Kit includes:

**9395** Universal Tubing LED Bulb 3.5v DC

- Requires 3.5v DC

**FEATURED**

NEW ITEMS

**Universal Power Optic Tubing Converter & Bulb**



9499

PN **9499** 5-Hole to 6-pin Converter for HP Tubing.....\$20.70

PN **9395** Universal Tubing LED Bulb 3.5v DC.....\$70.60

- Fits DCI Universal ISO-C/ISO tubing, Midwest XGT, Stylus & Stylus ATC handpieces, and Beaverstate

### Discover DCI's Power Optic System

Any power, any light, any time!



Connects to a wide range of existing power supplies



Extended bulb life



Instant-on setting for LED Bulbs



8311

#### Deluxe 3 Handpiece Light Source System

PN 8353	Deluxe Power Pack 3 Position w/ Transformer.....	\$436.80
PN 8311	Deluxe Power Pack 3 Position.....	\$398.50
PN 9358	120V to 9VDC 2.2 Amp Transformer.....	\$66.30

- Input Voltage of 7-24VAC/DC, 1.2-2.2Amp (Not polarity sensitive)
- Output Voltage of 2.6-5.5V, 1.2 Amp
- Output ramps up to improve bulb life
- Activation with Positive or Negative Air Pressure
- 10 Preset Output Voltages (No Meter Required)
- Instant on and adjustable delay settings
- Powers up to 3 Handpieces
- Small Compact Size 3 1/8" x 2 1/4" x 1"



9378



#### Standard Dual Handpiece Light Source System

PN 9378	Deluxe Dual Handpiece Power Pack w/ Transformer....	\$158.90
PN 9348	Deluxe Dual Handpiece Power Pack.....	\$139.80



8313



#### Economy Single Handpiece Light Source System

PN 8404	Deluxe Single Power Pack w/Transformer.....	\$126.30
PN 8313	Deluxe Single Power Pack.....	\$88.00
PN 9358	120V to 9VDC 2.2 Amp Transformer.....	\$66.30

- Input Voltage of 7-24VAC/DC, 1.2-2.2Amp (Not polarity sensitive)
- Output Voltage of 2.5-4.2V 1.2 Amp
- Positive Activation Pressure
- Variable Voltage Output
- Powers 1 Handpiece
- Small Compact Size 3" x 1" x 1"



9358

#### Transformer for Deluxe, Standard and Economy Circuit Power Pack

PN 9358	120 VAC.....	\$66.30
PN 9359	230 VAC.....	\$94.20

- 9358: • 120V to 9VDC. 2.2Amps
- 9359: • 230 VAC 50/60 HZ to 9VDC. 2.2Amps
- Comes with multiple international outlet adapters





### 5-Hole Lamp Module

PN **9603** LED Lamp module RED gasket for use w/ power optic tubings.....**\$175.00**

PN **9604** LED Lamp module BLACK gasket (old style) for use w/ older system 6000 and DCI equipment tubings.....**\$175.00**

- LED provides longer bulb life
- **9603:** Drive Air & Exhaust Ports are DIFFERENT in outer diameter
- **9604:** Drive Air & Exhaust Ports are the SAME in outer diameter



### Metal Terminal Nuts

PN **8815** Terminal Nut, Short.....**\$48.10**

PN **8814** Terminal Nut, Long.....**\$48.10**

**8815:**

- For use on power optic tubing using no lamp module
- Converts ISO to ISO-C tubing
- Metal construction, threaded

**8814:**

- For use on ISO power optic tubing w/ lamp module 8813
- Converts ISO-C to ISO style tubing
- Metal construction, threaded



### Fiber Optic Tubing Bundles

Straight Asepsis Tubing w/ Ground Wire for Touch System

GRAY	LT SAND	TUBING	BUNDLE	
451	360	6'	8'	\$318.80
453	361	7'	10'	\$318.80
455	362	7'	14'	\$318.80
459	364	12'	14'	\$318.80

Straight Asepsis Tubing w/ 180° Swivel

582	583	7'	—	\$318.80
-----	-----	----	---	----------

## FEATURED

### Replacement LED Handpiece Bulbs



PN **9372** LED Bulb..... **\$70.60**

- Requires 3.5 Volt DC
- Fits Kavo Turbines & Micro Motors



PN **9374** LED Bulb..... **\$70.60**

- Requires 3.5 Volt DC
- Fits Bien-Air Micro Motors



PN **9373** LED Bulb..... **\$70.60**

- Requires 3.5 Volt DC
- Fits Sirona Turbines & Micro Motors



**NEW**

PN **9395** Universal Tubing LED Bulb 3.5v DC..... **\$70.60**

- Fits DCI Universal ISO-C/ISO tubing, Midwest XGT, Stylus & Stylus ATC handpieces, and Beaverstate

### Replacement Handpiece Bulbs



PN **9360** Bulb..... **\$37.30**

- 3.5 Volt / 750 MA
- Fits Midwest XGT, Stylus & Stylus ATC handpieces (Midwest #790257R)
- Fits DCI Universal ISO-C/ISO tubing
- Beaverstate #016-010



PN **9361** Bulb (A-dec® #0.0220.7610)..... **\$37.30**

- 3.5 Volt / 750 MA
- Fits A-dec® / W & H handpieces 896, 898, 898-LE, TA-96L & TA-98L



PN **9363** Bulb (A-dec® #041.317.00)..... **\$72.50**

- For handpiece tubings made after 1988
- Xenon
- Fits A-dec® 5-hole handpiece tubing
- Fits Forest #0014-067



PN **9362** Bulb..... **\$29.00**

- 3.3 Volt / 4 watt
- Kavo Lux coupler previous PN 553-3881
- Current PN 1002.2928
- Dabi Atlante

*A-dec® is a registered trademark of A-dec, Inc. DCI has no affiliation with A-dec and A-dec has not authorized DCI replacement parts to be used on or in connection with A-dec® products.*







120N

0120

## 4-Hole Connector and Nut

PN <b>120T</b>	Nut & Metal Connector.....	<b>\$13.30</b>
PN <b>120N</b>	Nut Only.....	<b>\$4.77</b>
PN <b>0120</b>	Metal Connector Only.....	<b>\$8.50</b>



121T

## 3-Hole Borden Connector and Nut

PN <b>121T</b>	Nut & Metal Connector.....	<b>\$13.30</b>
PN <b>121N</b>	Stainless Steel Nut Only.....	<b>\$4.77</b>
PN <b>0121</b>	Metal Connector Only.....	<b>\$8.50</b>



0122

0123

0124

4710

## Autoclavable Handpiece Gaskets

PN <b>0122</b>	Gasket, 3-Hole Borden.....	<b>\$3.42</b>
PN <b>0123</b>	Gasket, 4-Hole Midwest.....	<b>\$3.42</b>
PN <b>0124</b>	Gasket, 5-Hole Midwest.....	<b>\$3.42</b>
PN <b>4710</b>	Gasket, 6-Pin for 8813 Lamp Module.....	<b>\$3.42</b>
PN <b>4711</b>	Gasket, 5-Hole Star.....	<b>\$4.83</b>
PN <b>4738</b>	Gasket, 6-Pin for 8773 Lamp Module.....	<b>\$3.42</b>



0954

0956

0957

0958

## Handpiece Tubing Adapters

PN <b>0954</b>	4-Hole Handpiece Tubing Inline Connector.....	<b>\$9.40</b>
PN <b>0956</b>	To Install a 2 or 3-Hole Borden Handpiece on a 4-Hole Connector.....	<b>\$82.80</b>
PN <b>0957</b>	To Install a 4-Hole Handpiece on a 2-Hole Borden Connector.....	<b>\$82.80</b>
PN <b>0958</b>	To Install a 4-Hole Handpiece on a 3-Hole Borden Connector.....	<b>\$93.20</b>



## Handpiece Tools

### Pressure Test Gauge

PN <b>7267</b>	Handpiece Pressure Gauge.....	<b>\$50.80</b>
PN <b>7281</b>	Replacement Gauge.....	<b>\$15.60</b>

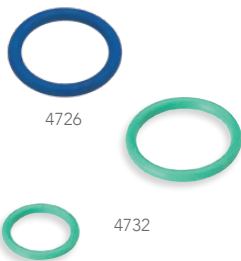
- Measures drive air pressure with handpiece running
- 0-100 PSI gauge
- Fits both 6 pin and 5 hole handpieces

### Repair Tools

PN <b>4706</b>	Waterline Clearing Device.....	<b>\$207.00</b>
----------------	--------------------------------	-----------------

### Burr Wrenches

PN <b>8625</b>	Universal, Square Drive.....	<b>\$21.80</b>
PN <b>8627</b>	For Midwest Quiet Air.....	<b>\$21.80</b>
PN <b>8628</b>	For Midwest 8000 / Tradition.....	<b>\$20.70</b>



## Replacement Seals & O-Rings for Handpieces

### Coupler & Head Cap O-Rings

PN <b>4726</b>	O-Ring for Midwest Stylus (pkg of 2).....	<b>\$6.80</b>
PN <b>4728</b>	O-Ring for Kavo Multiflex Coupler (pkg of 5).....	<b>\$16.60</b>
PN <b>4731</b>	O-Ring for NSK & Kinetic Vipor (pkg of 5).....	<b>\$8.50</b>
PN <b>4732</b>	O-Ring for Star 430 / Solara Coupler (pkg of 2).....	<b>\$11.70</b>
PN <b>4733</b>	O-Ring for Bien Air USA 5-Hole Coupler (pkg of 4).....	<b>\$8.60</b>
PN <b>4734</b>	O-Ring for Bien Air Euro 6-Pin Coupler (pkg of 3).....	<b>\$13.20</b>
PN <b>4735</b>	O-Ring for Sirona Coupler (pkg of 4).....	<b>\$8.80</b>
PN <b>4736</b>	O-Ring for W&H Roto Quick Couplers 904, 924, RQ-04 & RQ-24 (pkg of 3).....	<b>\$9.30</b>



## Replacement Assistina Filter

PN <b>2814</b>	Replacement Assistina Filter (W&H # 0.02675200).....	<b>\$30.10</b>
----------------	--	----------------

- In-line filter for 1/4" air line



## DCI Handpiece Flush System



PN **4060** Flush System (less adapter)..... **\$222.60**

- For high speed handpieces only
- Provides regulated & filtered air for cleaning & aiding in the lubrication of handpieces
- Purges air & water coolant lines
- Compact table top model
- No foot control required
- Adjustable air pressure w/ easy to read gauge
- Bottle collects excess lubricant
- Aids in quick relubricating following autoclaving
- 35-micron filter
- Easy to clean surfaces
- Easy installation
- Requires 80 PSI, 1/4" tubing hook up
- Requires adapter - select from list below
- See page 189 for common 1/4" fittings, PN 0044 & 0053

### Adapters and Accessories



4087

PN **4087** Borden Adapter..... **\$38.70**



4098

PN **4098** Henry Schein Adapter..... **\$37.50**



4086

PN **4086** KAVO Adapter for Kavo & Lares Swivel..... **\$42.70**



4090

PN **4090** Lares Adapter..... **\$42.70**



4088

PN **4088** Midwest 4 or 5 hole Adapter..... **\$32.00**



4111

PN **4111** Midwest XGT Adapter & Stylus w/ Swivel..... **\$52.80**



4084

PN **4084** NSK Adapter..... **\$60.10**



4089

PN **4089** Star Adapter..... **\$39.60**



4096

PN **4096** W & H Adapter..... **\$42.70**

PN **4080** Replacement Bottle & Cap..... **\$10.80**

PN **4076** Silicone Tubing, 6" Length..... **\$2.39**

### Handpiece Flush Adapter O-Rings

PN **2282** O-Ring, KAVO Adapter 4086 (pkg of 12)..... **\$12.00**

PN **2257** O-Ring, Borden Adapter 4087 (pkg of 12)..... **\$8.50**

PN **2284** O-Ring, Borden Adapter 4087 (pkg of 12)..... **\$21.80**

PN **2254** O-Ring, Star Adapter 4089 (pkg of 12)..... **\$8.50**

PN **2268** O-Ring, Star Adapter 4089 (pkg of 12)..... **\$13.50**

PN **2281** O-Ring, Lares Adapter 4090 (pkg of 12)..... **\$16.60**

PN **2286** O-Ring, Lares Adapter 4090 (pkg of 12)..... **\$5.50**

PN **2287** O-Ring, W & H Adapter 4096 (pkg of 12)..... **\$1.66**

PN **2288** O-Ring, W & H Adapter 4096 (pkg of 12)..... **\$2.70**

PN **2257** O-Ring, H. Schein Adapter 4098 (pkg of 12)..... **\$8.50**

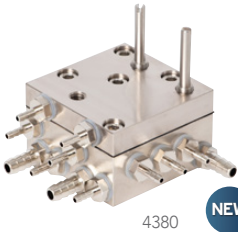
PN **2254** O-Ring, H. Schein Adapter 4098 (pkg of 12)..... **\$8.50**

PN **2299** O-Ring, Midwest XGT Adapter 4111 (pkg of 12)..... **\$6.50**

PN **2295** O-Ring, Midwest XGT Adapter 4111 (pkg of 12)..... **\$9.50**

### FEATURED

## Handpiece Block Single-Piece Assembly



NEW

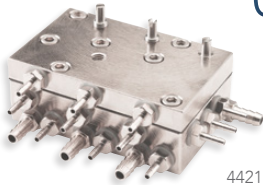
PN 4380	Twin-Block w/ Long Adjustment Screws.....	<b>\$84.50</b>
PN 4382	Twin-Block w/ Std. Adjustment Screws.....	<b>\$84.50</b>
PN 4421	Tri-Block w/ Std. Adjustment Screws.....	<b>\$95.10</b>
PN 4435	Tri-Block w/ Long Adjustment Screws.....	<b>\$69.90</b>

- Used on DCI Edge Series 4/5 Delivery Systems

PN 4425	Quad-Block w/Std. Adjustment Screws.....	<b>\$132.00</b>
PN 4438	Quad-Block w/ Long Adjustment Screws.....	<b>\$134.60</b>

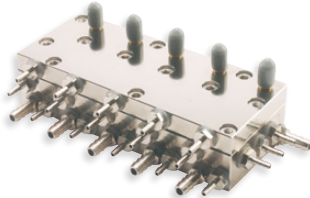
- Used on DCI Edge Series 4/5 Delivery Systems

NEW ITEMS



PN 4428	Quad-Block, Series 5, Knurled Adjustment Screws.....	<b>\$129.40</b>
PN 4427	Quin-Block w/Std. Adjustment Screws.....	<b>\$221.70</b>
PN 4432	Drive Air Adjusting Screw.....	<b>\$6.10</b>
PN 4426	Mounting Bracket.....	<b>\$20.70</b>

- Works with normally closed automatic handpiece holders
- Consistent flow control for handpiece pressure adjustments
- Higher output due to improved airflow
- Longer lasting diaphragm
- No internal cross-over of air or water
- Twin-Block dimensions, 1 1/2" x 1 1/2" x 1"
- Tri-Block dimensions, 2 3/8" x 1 1/2" x 1"
- Quad-Block dimensions, 3 1/8" x 1 1/2" x 1"
- Quin-Block dimensions, 3 3/4" x 1 1/2" x 1"



### DCI Automatic Handpiece Block Diaphragms



4430

PN 4381	Diaphragm, Twin-Block.....	\$2.76
PN 4430	Diaphragm, Tri-Block.....	\$3.38
PN 4433	Diaphragm, Quad-Block.....	\$3.81
PN 4434	Diaphragm, Quin-Block.....	\$2.32

### Handpiece Muffler and Oil Collector



PN 7321	Muffler.....	\$29.60
---------	--------------	---------

- Can be mounted through frame for removal from outside control head
- Will handle up to four handpieces
- Minimum back pressure
- Compact size to fit inside control head
- Filter media is standard cotton swab material



### Tubing HP Exhaust Muffler

PN 0949	Exhaust Muffler .....	\$22.80
---------	-----------------------	---------

432



### Asepsis 4-Hole Handpiece Tubing

<u>DARK SURF</u>	<u>GRAY</u>	<u>LT SAND</u>	<u>STERLING</u>	<u>BLACK</u>		
435CT	432CT	433CT	436CT	431CT	Coiled w/ Connector.....	\$37.60
435T	432T	433T	436T	431T	Straight 7 ft. w/ Connector.....	\$25.10
435	432	433	436	431	Straight (per ft.).....	\$1.56
435R	432R	433R	436R	431R	100 ft. Roll.....	\$120.10
435B	432B	433B	436B	431B	100 ft. Box.....	\$120.10

323



### Asepsis 3-Hole Handpiece Tubing

#### GRAY

322CT	Coiled w/ Connector.....	\$30.80
322T	Straight 7 ft. w/ Connector.....	\$25.90
322	Straight (per ft.).....	\$1.22
322R	100 ft. Roll.....	\$103.50
322B	100 ft. Box.....	\$103.50

402



### Standard 4-Hole Handpiece Tubing

#### GRAY

402CT	Coiled w/ Connector.....	\$34.20
402T	Straight 7 ft. w/ Connector.....	\$20.50
402	Straight (per ft.).....	\$1.29
402R	100 ft. Roll.....	\$98.00
402B	100 ft. Box.....	\$98.00



### Download the DCI Catalog App

Looking for a digital version of the DCI Catalog? Visit the iTunes or Android app store and download it today. View the catalog on your mobile device, iPad or laptop!



# Syringes



84-85

Precision Comfort®  
Syringes



86-88

Quick-Clean®  
Syringes



89

Autoclavable  
Syringes



90

Syringe Tips



91-93

Syringe Speciality Tools  
& Repair Kits



94-96

Illustrated Parts  
Breakdown

### FEATURED



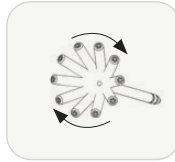
3600



Precision Touch Buttons improve ergonomics & reduce hand fatigue.



Comfort fit designed to reduce hand fatigue



Tips rotate in 10° increments, then lock into place for a total of 360°

PAGE 94 ILLUSTRATED Parts Breakdown

### Precision Comfort® 3-Way Syringe

LESS TUBING	DARK SURF	GRAY	LT SAND	STERLING	BLACK	
3600						Syringe Only.....\$75.00
3615						Syringe Head Only.....\$68.00
	3609	3603	3605	3607	3601	Coiled Tubing.....\$83.90
	3610	3604	3606	3608	3602	Straight Tubing (7').....\$83.90







### Precision Comfort® Syringe Repair Kit

PN 3635 Precision Comfort Syringe Repair Kit w/ 2 buttons.....\$19.70

#### FEATURED



NEW ITEMS

NEW ITEMS

### For Repair of Precision Comfort® Syringes

- PN 3637 Precision Comfort Syringe Button w/ Spring.....\$9.60
- PN 3638 Precision Comfort Syringe Button w/ Spring (pkg of 10).....\$91.10
- PN 3636 Precision Comfort Syringe Kit.....\$8.30
- PN 3635 Precision Comfort Syringe Repair Kit w/ 2 buttons.....\$19.70
- PN 3491 Syringe Handle.....\$8.50
- PN 3065 Syringe Tip Adapter Assy.....\$25.60
- PN 3089 Syringe Adapter Kit.....\$28.80
- PN 3631 Precision Comfort Syringe Repair Kit (Pre-2017).....\$8.30

• For DCI Syringes

3635

### DCI Precision Comfort® One-Button Syringe

LESS TUBING | DARK SURF | GRAY | LT SAND | STERLING | BLACK

3640

3645

3642

3643

3644

3641

Syringe Only.....\$74.00  
Straight Tubing (7').....\$79.10



3640

- Smooth contour for easy cleaning
- Quick-Change® tip disconnect
- Accepts standard autoclavable tips or disposable tips
- Precise control of air or water
- Asepsis tubing standard
- Includes service kit when purchased w/ tubing



### Quick-Clean® Standard Syringe

Smooth contours for quick, thorough cleaning

Quick-Change® tip disconnect

Uses standard autoclavable tips or disposable tips

Asepsis tubing standard

Includes service kit when purchased w/ tubing



Visit the DCI Video Library for a demonstration on how to repair a Quick-Clean® syringe button.

PAGE **94**  **ILLUSTRATED**  
Parts Breakdown

LESS TUBING	DARK SURF	GRAY	LT SAND	STERLING	BLACK	
3430						Syringe Only.....\$75.00
3429						Syringe Head Only.....\$68.00
	3444	3438	3440	3443	3436	Coiled Tubing.....\$83.90
	3445	3439	3441	3442	3437	Straight Tubing (7').....\$83.90
3430C						Circulating Syringe w/o Tubing.....\$97.80





### Quick-Clean® Syringe Repair Kit

PN 3098 Quick-Clean® Syringe Repair Kit w/ 2 Buttons.....\$18.70

3098

#### FEATURED

### Repair Parts for Quick-Clean® Standard & Euro-Style Syringes



3098

NEW ITEMS

- PN 3085 Quick-Clean Syringe Button & Conical Spring.....\$9.60
- PN 3099 Quick-Clean Syringe Button w/ Spring (pkg of 10).....\$89.10
- PN 3066 Quick-Clean Syringe Repair Kit.....\$8.50
- PN 3098 Quick-Clean Syringe Repair Kit w/ 2 buttons.....\$18.70
- PN 9670 Button Spring Only.....\$7.73
- PN 0084 Kit 8-30 x 1/16" Barb/Washer (pkg of 10).....\$6.80
- PN 0085 Washer 8-32 Nylon (pkg of 10).....\$3.21
- PN 9648 Syringe Button Pin, Standard, Quick-Clean.....\$1.45
- PN 9651 Syringe Button Pin, Euro-Style, Quick-Clean.....\$1.45
- PN 3491 Syringe Handle.....\$8.50
- PN 3065 Syringe Tip Adapter Assy.....\$25.60

### Quick-Clean® Euro-Style Syringe

LESS TUBING | DARK SURF | GRAY | LT SAND | STERLING | BLACK

3450  

	3464	3459	3461	3463	3457	
--	------	------	------	------	------	--

 Syringe Only.....\$75.00  
 Straight Tubing (7').....\$87.90



3450

PAGE 94 ILLUSTRATED Parts Breakdown



3470

## Quick-Clean® Valve Core Style Syringe

- Smooth contours for quick, thorough cleaning
- Quick-Change® tip disconnect
- Uses standard autoclavable tips or disposable tips
- Asepsis tubing standard
- Includes service kit when purchased w/ tubing

LESS TUBING	DARK SURF	GRAY	LT SAND	STERLING	BLACK
3470	3483 3484	3478 3479	3474 3475	3482 3481	3476 3477

Syringe Only.....	\$81.80
Coiled Tubing.....	\$92.20
Straight Tubing (7').....	\$92.20

### FEATURED



3093



3076



3090

NEW  
ITEMS

## Repair Parts for Quick-Clean® Valve Core Style Syringes

PN 3093	Syringe Button w/ Spring.....	\$9.60
PN 9674	Spring Only.....	\$7.73
PN 3076	Syringe Repair Kit.....	\$8.50
PN 3090	Valve Core (pkg of 10).....	\$7.30
PN 3034	Valve Core Syringe Button w/ Spring (pkg of 10).....	\$91.10
PN 0084	Kit 8-30 x 1/16" Barb/Washer (pkg of 10).....	\$6.80
PN 0085	Washer 8-32 Nylon (pkg of 10).....	\$3.21



### TECH TIP: HOW TO IDENTIFY WHICH SYRINGE YOU HAVE



#### VALVE CORE SYRINGE

- DCI logo on the top
- No pin or finger rest



#### QUICK-CLEAN® SYRINGE

- DCI logo on the top
- Features pin
- No finger rest



#### PRECISION COMFORT® SYRINGE

- Features pin, finger rest, and DCI logo on the side

Need help repairing your DCI syringe? Visit the DCI Partner Resource Center under Maintenance and Repair videos.





3370

### DCI Autoclavable Syringes

- Complete handle & head assembly are fully autoclavable
- Quick-Change® tip disconnect
- Accepts standard autoclavable tips or disposable tips
- Includes service kit when purchased w/ tubing
- Asepsis tubing standard

PAGE 95 ILLUSTRATED Parts Breakdown

**LESS TUBING** | **DARK SURF** | **GRAY** | **LT SAND** | **STERLING** | **BLACK**

3369  
3370  
3320  
3325

3404  
3405

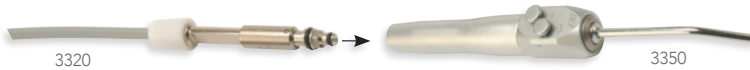
3378  
3379

3374  
3375

3399  
3398

3376  
3377

Head, Handle & Q.D. ... **\$163.50**  
 Head, Handle..... **\$113.90**  
 Quick Disconnect ..... **\$104.60**  
 Q.D. Holder..... **\$3.20**  
 Coiled Tubing..... **\$172.40**  
 Straight Tubing (7')..... **\$172.40**



3320

3350

### Deluxe Autoclavable Euro-Style Syringe

PAGE 95 ILLUSTRATED Parts Breakdown

**LESS TUBING** | **DARK SURF** | **GRAY** | **LT SAND** | **STERLING** | **BLACK**

3349  
3350

3406

3359

3355

3361

3357

Head, Handle & Q.D. ... **\$163.10**  
 Head, Handle..... **\$113.90**  
 Straight Tubing (7')..... **\$206.90**

- Patented quick-disconnect turns air & water off when syringe is removed

### FEATURED



3072

3092

NEW ITEMS

### Repair Parts for Autoclavable Syringes

PN 3092	Syringe Button w/ Spring.....	<b>\$9.60</b>
PN 9674	Spring Only.....	<b>\$7.73</b>
PN 3072	Syringe Repair Kit.....	<b>\$9.20</b>
PN 3036	Syringe Tubing Sleeve, Autoclavable.....	<b>\$2.18</b>
PN 3074	Syringe Handle.....	<b>\$10.70</b>
PN 3071	Syringe Tip Adapter Assembly.....	<b>\$26.80</b>



3088

### DCI Syringe Adapter Kits

PN 3088 Autoclavable Syringe Adapter Kit ..... **\$29.90**

- Fits DCI Quick-Change® Tip Syringes
- Includes: 1 tip adapter assembly, 1 tip adapter spring, 1 tip adapter pin, 1 syringe head O-Ring, 1 5/32" hex wrench



3045

3086

### Repair Parts for Autoclavable Euro-Style Syringes

PN 3086	Syringe Button & Conical Spring.....	<b>\$11.40</b>
PN 3045	Syringe Repair Kit.....	<b>\$10.20</b>

## Autoclavable Indexing Tips



3180

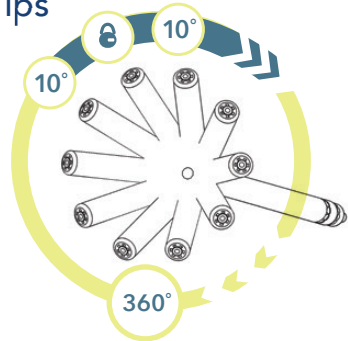


Interchangeable in most common syringe heads



Provides resistance to rotation in the DCI quick-change adapter to facilitate cheek retraction

- 3180 tips are standard in the Precision Comfort style DCI syringe



Tips rotate in 10° increments, then lock into place for a total of 360°

PN 3180	Indexing Syringe Tip (1 ea.).....	\$6.20
PN 3181	Pkg of 5.....	\$28.50
PN 3182	Pkg of 50.....	\$264.00

## Autoclavable Syringe Tips



3060

PN 3060	Quick-Change® Autoclavable Tip (1 ea.).....	\$4.97
PN 3061	Pkg of 5.....	\$24.90
PN 3059	Pkg of 50.....	\$207.00

- 3060 tips are standard in the Quick-Clean and Autoclavable Style DCI Syringe

NOTE: The autoclavable syringe tips are interchangeable and are used in syringes with the old style nut retainer and in the DCI Quick-Change® tip disconnect. The DCI syringe tips offer more air outlet ports than the A-dec® tip.

## Autoclavable Syringe Tips to fit A-dec® Syringes



3054

PN 3054	A-dec® Autoclavable (1 ea.).....	\$5.20
PN 3055	Pkg of 5.....	\$25.40
PN 3056	Pkg of 50.....	\$216.40

- With alignment rings
- Autoclavable

A-dec® is a registered trademark of A-dec, Inc. DCI has no affiliation with A-dec and A-dec has not authorized DCI replacement parts to be used on or in connection with A-dec® products.

## Syringe Tools



9287

PN <b>9287</b>	DCI Syringe 3-in-1 Tool, Includes Valve Core Tool, Quick-Change® Adapter Tool & Button Pin Removal Tool.....	<b>\$13.00</b>
PN <b>8059</b>	Syringe Button Removal Tool.....	<b>\$17.10</b>
PN <b>3097</b>	Syringe Nut Wrench.....	<b>\$2.07</b>
PN <b>3096</b>	Valve Core Tool.....	<b>\$3.11</b>
PN <b>9286</b>	A-dec® Syringe Tool.....	<b>\$17.10</b>
PN <b>3033</b>	Forest Syringe Button, Barb & Adapter Tool.....	<b>\$2.59</b>



8059



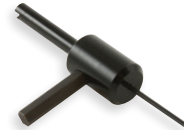
3033



3097



3096



9286

## Syringe Water Heaters



3211

PN <b>3211</b>	Air Actuated On/Off, 110/120 VAC.....	<b>\$362.30</b>
PN <b>3112</b>	Manual On/Off, 220/240 VAC.....	<b>\$414.00</b>

### 110 / 120 VAC Heater

- Solid state temperature control providing more uniform temperature
- Air actuated on/off control
- 4 1/4" high x 2" diameter
- Power "on" indicator light
- Safety overheat shut-off
- Hospital grade plug

### 220 / 240 VAC Heater

- Manual on/off control
- 4" high x 2" diameter
- Power "on" indicator light

A-dec® is a registered trademark of A-dec, Inc. DCI has no affiliation with A-dec and A-dec has not authorized DCI replacement parts to be used on or in connection with A-dec® products.

### FEATURED



3024



9317

### Flow Controls

NEW

PN 3021	Syringe Block.....	\$19.60
PN 3024	Syringe Block / Control Assy.....	\$20.60
PN 2110	Flow Adjusting Screw.....	\$2.39

- Allen adjusting screws for air & water
- Mounting hardware
- 10-32 Barbs for 1/8" & 1/4" O.D. tubing

NEW

PN 9317	Double Flow Restrictor.....	\$19.20
---------	-----------------------------	---------

### For Repair of DCI Syringes (Older Tip Retainer Nut Style)



3030

#### For syringes 3000, 3120, 3140 & 3160

PN 3030	Kit, Including Tip 3060.....	\$17.70
PN 3040	Kit, Less Syringe Tip.....	\$11.70
PN 3049	Syringe Tip Adapter, w/ O-Ring.....	\$6.50
PN 2040	Collet Cone, Plastic, for Nut-Type Syringe Tip Retainer.....	\$1.25
PN 2060	Syringe Tip Nut, Chrome.....	\$4.77
PN 9704	Allen Wrench 5/32 Hex.....	\$1.04

- Converts syringes w/ non-autoclavable tips
- Includes nut wrench & 5/32" hex key



3042

#### For valve core syringe 3000

PN 3042	Syringe Repair Kit.....	\$9.90
---------	-------------------------	--------



3080

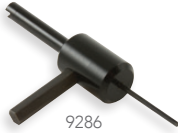
PN 3080	For Valve Core Syringe.....	\$7.50
---------	-----------------------------	--------

PN 3070	For Lever Syringe.....	\$9.90
---------	------------------------	--------





## Parts & Tools to fit A-dec® Syringes



PN **9286** Tool to fit A-dec® Syringes.....**\$17.10**

- Includes valve core tool, button retaining screw key and tip adapter key A-dec® #98.0010.00



PN **9150** Syringe Button Screw, (A-dec® #23.1193.01) (pkg of 5).....**\$28.50**

- Fits A-dec® Syringes produced 1995 & later



2041



3090

### Fits Tri-Flow, lever, soft touch button & Continental® syringe

PN **3090** Valve Core, (A-dec® #026.033.01) (pkg of 10).....**\$7.30**



9028

### Fits Tri-Flow syringes, soft touch button, lever & Continental® syringe

PN **9028** Conical Button Spring, (A-dec® #013.038.01) (pkg of 10).....**\$24.90**



9186

PN **9186** Button Assy to fit A-dec® Syringes, (A-dec® #23.1232.00).....**\$20.70**

PN **9347** Repair Kit for A-dec® Soft Touch Syringe w/ 2 Buttons.....**\$46.60**



9326

PN **9326** Service Kit to fit A-dec® Lever Syringes,  
(A-dec® #23.1093.00).....**\$23.90**

#### Kit includes:

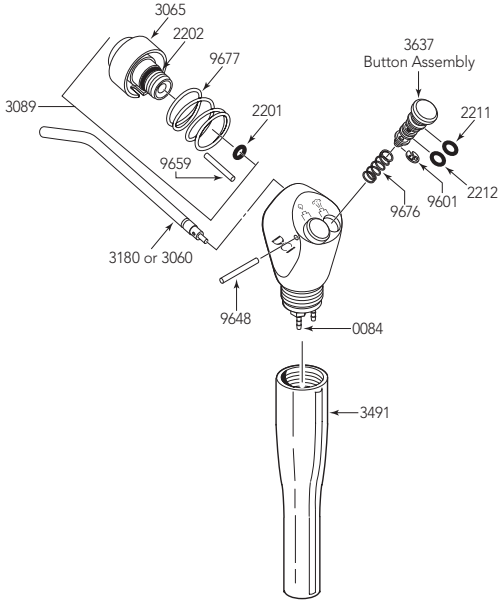
PN **3070** Button for Lever Syringe (A-dec® #23.0048.00)

PN **9028** Conical Button Spring (A-dec® #013.038.01)

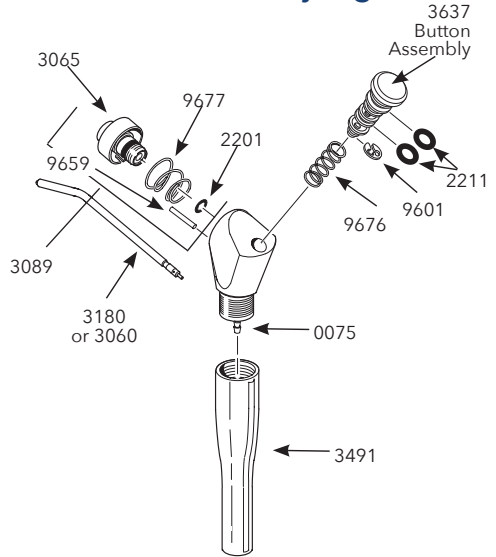
PN **8034** Silicone Lubricant 1 (A-dec® #98.0090.00)

*A-dec® and Continental® are registered trademarks of A-dec, Inc. DCI has no affiliation with A-dec and A-dec has not authorized DCI replacement parts to be used on or in connection with A-dec® products.*

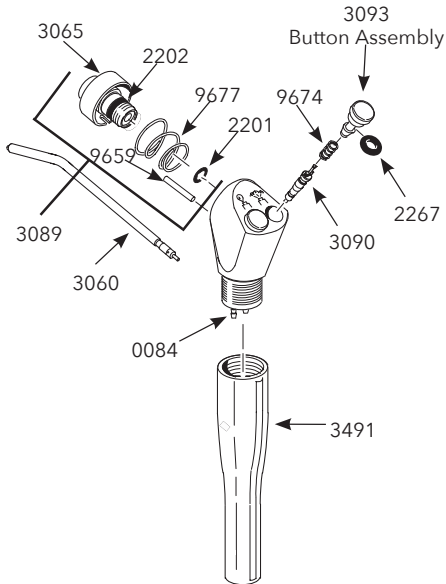
### Precision Comfort® Syringe



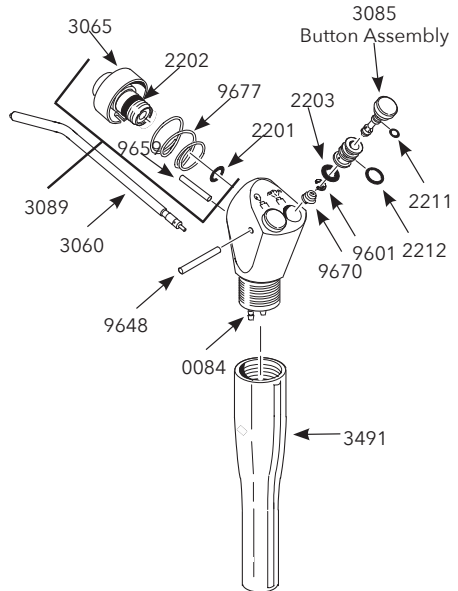
### Precision Comfort® One-Button Syringe



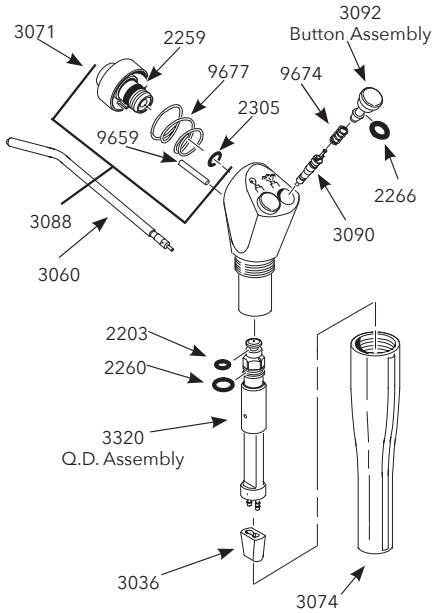
### Quick-Clean® Valve Core Syringe



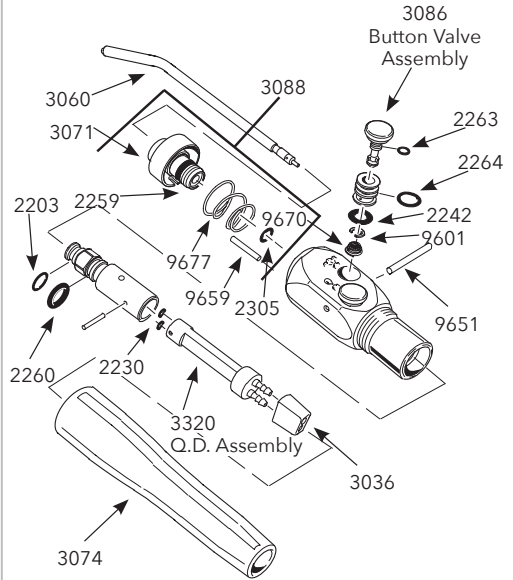
### Quick-Clean® Standard Syringe



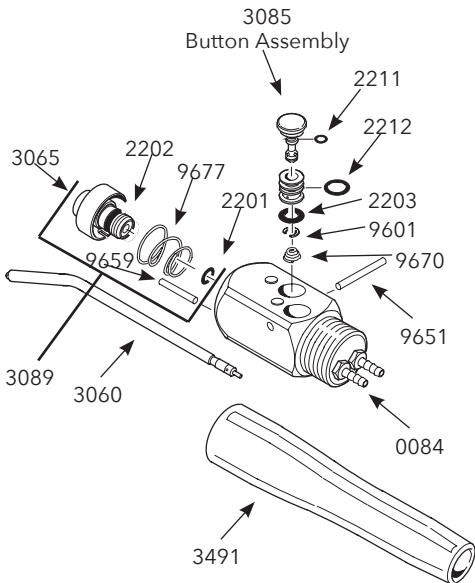
### Autoclavable Syringe



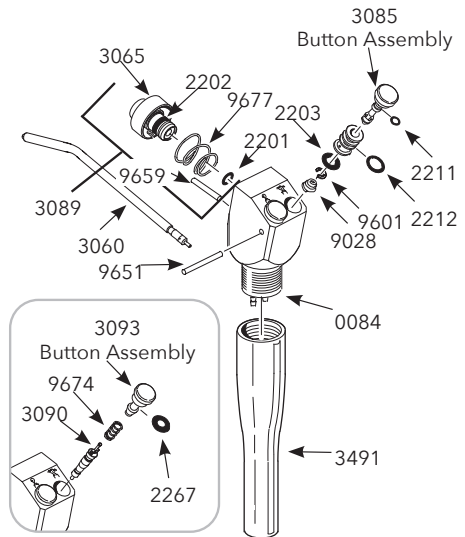
### Autoclavable Euro Style Syringe



### Quick-Clean® Euro Style Syringe



### Traditional Syringe



### Syringe Illustrated Parts Breakdown Price List

<b>0075</b>	Barb, 10-32 & Washer (pkg of 10).....	<b>\$5.80</b>	<b>3085</b>	Button Valve Assembly.....	<b>\$9.60</b>
<b>0084</b>	Barb, 8-32 & Washer (pkg of 10).....	<b>\$6.80</b>	<b>3086</b>	Button Valve, Autoclavable.....	<b>\$11.40</b>
<b>0085</b>	Nylon Washer 8-32 (pkg of 10).....	<b>\$3.21</b>	<b>3088</b>	Autoclavable Quick-Change Kit.....	<b>\$29.90</b>
<b>2201</b>	O-Ring (pkg of 12).....	<b>\$3.01</b>	<b>3089</b>	Quick-Change® Tip Adapter Kit.....	<b>\$28.80</b>
<b>2202</b>	O-Ring (pkg of 12).....	<b>\$3.01</b>	<b>3090</b>	Valve Core (pkg of 10).....	<b>\$7.30</b>
<b>2203</b>	O-Ring (pkg of 12).....	<b>\$3.01</b>	<b>3092</b>	Autoclavable Button Assembly.....	<b>\$9.60</b>
<b>2211</b>	O-Ring (pkg of 12).....	<b>\$3.01</b>	<b>3093</b>	Button Assembly, QC Syringe.....	<b>\$9.60</b>
<b>2212</b>	O-Ring (pkg of 12).....	<b>\$3.01</b>	<b>3180</b>	Indexing Syringe Tip.....	<b>\$6.20</b>
<b>2230</b>	O-Ring (pkg of 12).....	<b>\$3.01</b>	<b>3320</b>	Quick Disconnect Assembly.....	<b>\$104.60</b>
<b>2242</b>	O-Ring (pkg of 12).....	<b>\$6.30</b>	<b>3491</b>	Handle, Quick-Clean® Syringe.....	<b>\$8.50</b>
<b>2259</b>	O-Ring (pkg of 12).....	<b>\$8.40</b>	<b>3637</b>	Precision Comfort™ Syringe Button w/ Spring.....	<b>\$9.60</b>
<b>2260</b>	O-Ring (pkg of 12).....	<b>\$8.40</b>	<b>3633</b>	Retaining Ring.....	<b>\$ .21</b>
<b>2263</b>	O-Ring (pkg of 12).....	<b>\$8.40</b>	<b>9028</b>	Spring Conical (pkg of 10).....	<b>\$24.90</b>
<b>2264</b>	O-Ring (pkg of 12).....	<b>\$8.40</b>	<b>9601</b>	Retaining Ring.....	<b>\$ .21</b>
<b>2266</b>	O-Ring (pkg of 12).....	<b>\$9.90</b>	<b>9648</b>	Pin, Quick-Clean® Syringe Button.....	<b>\$1.45</b>
<b>2267</b>	O-Ring (pkg of 12).....	<b>\$3.01</b>	<b>9651</b>	Pin, Syringe Button.....	<b>\$1.45</b>
<b>2293</b>	O-Ring (pkg of 12).....	<b>\$3.01</b>	<b>9659</b>	Pin, Tip Adapter.....	<b>\$ .52</b>
<b>2305</b>	O-Ring (pkg of 12).....	<b>\$8.60</b>	<b>9670</b>	Spring, Syringe Button.....	<b>\$ .73</b>
<b>3036</b>	Tubing Sleeve (1 ea.).....	<b>\$2.18</b>	<b>9674</b>	Spring, Syringe Button.....	<b>\$ .73</b>
<b>3059</b>	Syringe Tip (pkg of 50).....	<b>\$207.00</b>	<b>9677</b>	Spring, Tip Adapter.....	<b>\$ .52</b>
<b>3060</b>	Syringe Tip (1 ea.).....	<b>\$4.97</b>			
<b>3061</b>	Syringe Tip (pkg of 5).....	<b>\$24.90</b>			
<b>3065</b>	Tip Adapter Assembly.....	<b>\$25.60</b>			
<b>3071</b>	Tip Adapter Assembly, Autoclavable.....	<b>\$26.80</b>			
<b>3074</b>	Handle, Autoclavable Syringe.....	<b>\$10.70</b>			



# Vacuum Components



98-101

Vacuum Valves



102-104

Assistant's Packages



105

A-dec® Vacuum Valves  
& Q.D. Swivels



106

Evacu-Tips



107-108

Vacuum Valve  
Accessories



109-111

Vacuum Canisters  
& Screens



112-113

Alternative Vacuum Kits  
& Eco Vac Cleaner



114-116

Illustrated Parts  
Breakdown

A-dec® is a registered trademark of A-dec®, Inc. These parts are manufactured by DCI to fit A-dec® equipment. DCI has no affiliation with A-dec® and A-dec® has not authorized DCI replacement parts to be used on or in connection with A-dec® products.



## The Precision Comfort® Autoclavable Premium Valves

The Precision Comfort® line of Vacuum Valves is engineered with a large single piece lever that will not bend or break and is easy to activate comfortably making it one of the most ergonomic valves on the market.

### FEATURED

#### Extended Vacuum Valves

Used w/ Standard Holder

PN 5112	Single Valve w/ Quick-Disconnect.....	\$49.00
PN 5107	Replacement Quick-Disconnect Swivel for 1/2" Tubing.....	\$13.50
PN 5108	Replacement Lever & Spool Assembly.....	\$20.70
PN 5165	Precision Comfort O-Ring Repair Kit.....	\$13.50

NEW

#### Short Vacuum Valves

Used w/ Vacuum Holder

PN 5131	Single Valve w/ Quick-Disconnect.....	\$46.00
PN 5107	Replacement Quick-Disconnect Swivel for 1/2" Tubing.....	\$13.50
PN 5108	Replacement Lever & Spool Assembly.....	\$20.70
PN 5165	Precision Comfort O-Ring Repair Kit.....	\$13.50

NEW

#### Saliva Ejectors

Used w/ Standard Holder

PN 5222	Single Valve w/ Quick-Disconnect.....	\$48.70
PN 5217	Replacement Quick-Disconnect Swivel for 3/16" Tubing.....	\$11.40
PN 5218	Replacement Lever & Spool Assembly.....	\$20.70
PN 5166	Precision Comfort O-Ring Repair Kit.....	\$12.50

NEW

PAGE 114 ILLUSTRATED  
Parts Breakdown



**PAGE 105**  
Precision Comfort®  
Conversion Q.D.  
Swivels





**No Rubber Tip Required**  
The Precision Comfort(R) Saliva Ejectors designed with an internal O-ring to firmly hold the straw in place



**O-Ring Placement Fits Evacu-Tip & Tip-A-Dilly™**  
Fits all popular brands of evacuator tips and straws



**WILL NOT BEND OR BREAK!**

**Single Piece Metal Lever**  
The single-piece metal levers make it quick and easy to remove for cleaning and provide a large surface for activation

## FEATURED

NEW ITEMS

### HVE & SE Kits

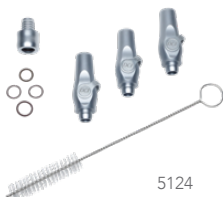


5104

PN **5104** Precision Comfort Premium Extended Vacuum Kit.....**\$144.80**

Kit contains:

- Precision Comfort® Premium Extended Vacuum Valve (pack of 3)
- Precision Comfort® Premium Quick Disconnect Swivel
- Brush Vacuum Cleaning 9"
- O-Ring, Viton, .489 I.D. X .070 Width
- O-Ring, Viton, .447 I.D. X .052 Width (pack of 2)
- O-Ring, Viton, .426 I.D. X .070 Width



5124

PN **5124** Precision Comfort Premium Short Vacuum Valve Kit.....**\$135.50**

Kit contains:

- Precision Comfort® Premium Short Vacuum Valve (pack of 3)
- Precision Comfort® Premium Quick Disconnect Swivel w/ O-ring, 1/2"
- Brush Vacuum Cleaning 9"
- O-Ring, Viton, .489 I.D. X .070 Width
- O-Ring, Viton, .447 I.D. X .052 Width (pack of 2)
- O-Ring, Viton, .426 I.D. X .070 Width



5214

PN **5214** Precision Comfort Premium Saliva Ejector Kit.....**\$132.40**

Kit contains:

- Precision Comfort® Premium Saliva Ejector (pack of 3)
- Precision Comfort® Premium Autoclavable Saliva Ejector 3/17" Quick Disconnect Swivel w/ O-ring
- Brush, Saliva Ejector, 7"
- O-Ring, Viton, .364 I.D. X .070 Width
- O-Ring, Buna-n, .239 I.D. X .070 Width (pack of 2)
- O-Ring, Viton Brown, .206 I.D. X .103

**FEATURED**

O-RING PLACEMENT ALLOWS FOR TIP-A-DILLY & EVACU-TIPS!

### Standard Autoclavable Valves

- Single piece anodized aluminum body
- Easy removal lever & spool valve assembly
- Quick disconnect - 360° swivel
- Includes brush for cleaning



5070

PAGE 115  ILLUSTRATED Parts Breakdown

### Extended Vacuum Valves

Used w/ Standard Holder

PN 5070	Single Valve w/ Quick-Disconnect.....	\$50.80
PN 5082	Replacement Quick-Disconnect Swivel for 1/2" Tubing.....	\$13.50
PN 5083	Replacement Quick-Disconnect Swivel for 5/8" Tubing.....	\$16.60
PN 5168	Replacement Lever & Spool Valve Assembly.....	\$23.90
PN 5084	Premium & Standard Repair Kit.....	\$2.70

NEW



5080

### Short Vacuum Valves

Used w/ Vacuum Holder

PN 5080	Single Valve w/ Quick-Disconnect.....	\$47.70
PN 5082	Replacement Quick-Disconnect Swivel for 1/2" Tubing.....	\$13.50
PN 5083	Replacement Quick-Disconnect Swivel for 5/8" Tubing.....	\$16.60
PN 5168	Replacement Lever & Spool Valve Assembly.....	\$23.90



5088

### Saliva Ejectors

Used w/ Standard Holder

PN 5088	Single Valve w/ Quick-Disconnect w/ Threaded Tip.....	\$58.00
PN 5090	Single Valve w/ Quick-Disconnect w/ Push on Tip.....	\$43.50
PN 5092	Replacement Quick-Disconnect Swivel for 3/16" Tubing.....	\$11.40
PN 5169	Replacement Lever & Spool Valve Assembly.....	\$21.80
PN 5093	Premium & Standard Repair Kit.....	\$5.10

NEW

### HVE & SE Operatory Kit

PN 5190	HVE & SE Kit, Standard.....	\$277.20
---------	-----------------------------	----------

NEW

Kit includes:

- 3x Extended HVE Valves w/ 1x 1/2in swivel
- 3x Saliva Ejectors with 1x 3/16ths swivel



5190





**FEATURED**

## Economy Autoclavable Valves

PAGE 115 ILLUSTRATED Parts Breakdown



5150

- Anodized aluminum body
- Quick disconnect - 360° swivel
- Smooth plastic lever action
- Includes brush for cleaning



5148

NEW ITEMS



5650

NEW

### Extended Vacuum Valves

Used w/ Standard Holder

PN 5150	Single Valve w/ Quick-Disconnect	\$40.00
PN 5082	Replacement Quick-Disconnect Swivel for 1/2" Tubing	\$13.50
PN 5083	Replacement Quick-Disconnect Swivel for 5/8" Tubing	\$16.60
PN 5171	Replacement Lever	\$6.30
PN 5172	Valve Spool w/ O-Rings	\$7.60
PN 5161	Economy Autoclavable Extended Vacuum Valve Set	\$113.80
PN 5145	Repair Kit	\$10.20

### Short Vacuum Valves

Used w/ Vacuum Holder

PN 5148	Single Valve w/ Quick-Disconnect	\$40.00
PN 5082	Replacement Quick-Disconnect Swivel for 1/2" Tubing	\$13.50
PN 5083	Replacement Quick-Disconnect Swivel for 5/8" Tubing	\$16.60
PN 5171	Replacement Lever	\$6.30
PN 5172	Valve Spool w/ O-Rings	\$7.60

### Saliva Ejectors

Used w/ Standard Holder



5742

NEW ITEMS

PN 5650	Single Valve w/ Quick-Disconnect, w/ Threaded Tip	\$40.00
PN 5660	Single Valve w/ Quick-Disconnect w/ Push on Tip	\$31.60
PN 5092	Replacement Quick-Disconnect for 3/16" Tubing	\$11.40
PN 5670	Replacement Lever	\$5.20
PN 5672	Valve Spool w/ O-Rings, Standard SE	\$7.30
PN 5667	Economy Autoclavable Saliva Ejector Set	\$95.20
PN 5645	Repair Kit	\$9.50

SEE PAGE 105 FOR MORE DETAILS

## Autoclavable Saliva Ejector w/ Anti-Suck Back



5655

PN 5655	Autoclavable Premium Saliva Ejector Valve w/ Anti-Suck Back	\$62.10
PN 5664	Autoclavable Standard Saliva Ejector Valve w/ Anti-Suck Back	\$55.90
PN 5184	Replacement Premium Quick-Disconnect Swivel w/ Check Valve for 3/16" Tubing	\$31.10
PN 5185	Replacement Standard Quick-Disconnect Swivel w/ Check Valve for 3/16" Tubing	\$30.10

## FEATURED

### Precision Comfort Assistant's Package



GRAY	STERLING
------	----------

<b>5363</b>	<b>5380</b>		Precision Comfort Syringe, HVE & SE.....	<b>\$300.20</b>
<b>5364</b>	<b>5381</b>		Precision Comfort Syringe, 2 HVE's & SE.....	<b>\$367.50</b>
<b>5365</b>	<b>5382</b>		2 Precision Comfort HVE's & SE.....	<b>\$196.70</b>

- HVE & SE include 7' of tubing
- Syringe includes 7' of tubing
- Includes PN 3604, & flow control block 3021
- 5/8 Drain tubing 7'
- Includes PN 3604, 5112, 5222 & 5860



### Standard Assistant's Package

PN <b>5366</b>	Quick Clean Syringe, Standard HVE & SE.....	<b>\$300.20</b>
PN <b>5367</b>	Quick Clean Syringe, 2 Standard HVE's & SE.....	<b>\$367.50</b>
PN <b>5368</b>	2 Standard HVE's & SE.....	<b>\$196.70</b>

- Includes PN 3430, 5070, 5090 & 5860



### Economy Assistant's Package

PN <b>5369</b>	Quick Clean Syringe, Economy HVE & SE.....	<b>\$289.80</b>
PN <b>5370</b>	Quick Clean Syringe, 2 Economy HVE's & SE.....	<b>\$357.10</b>
PN <b>5371</b>	2 Economy HVE's & SE.....	<b>\$186.30</b>

- Includes PN 3430, 5150, 5660 & 5860

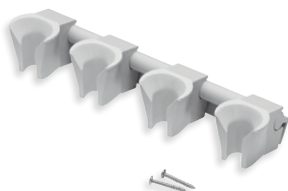




### Swing Mount Assistant's Holder

PN <b>8389</b>	3 Position Swing Holder Bar.....	<b>\$217.40</b>
PN <b>5378</b>	4 Position Swing Holder Bar.....	<b>\$248.40</b>

- Mounts to any vertical or horizontal surface
- Holds HVE by tip
- 3 position is 11 3/4" long, 5 1/2" tall
- 4 position is 13 3/4" long, 5 1/2" tall
- Includes mount for vacuum trap



### Wall or Cabinet Mounted Holders

PN <b>5372</b>	3 Position Holder Bar.....	<b>\$75.60</b>
PN <b>5373</b>	4 Position Holder Bar.....	<b>\$96.30</b>

- Mounts to any vertical surface
- Adjustable tilt angle
- Holds HVE by tip
- Durable plastic holder & machined aluminum-mount



### Telescoping Arm Holders

PN <b>5374</b>	3 Position Telescoping Arm, Gray.....	<b>\$527.90</b>
PN <b>5376</b>	4 Position Telescoping Arm, Gray.....	<b>\$569.30</b>
PN <b>5375</b>	3 Position Telescoping Arm, White.....	<b>\$527.90</b>
PN <b>5377</b>	4 Position Telescoping Arm, White.....	<b>\$569.30</b>

- Telescoping arm w/ breakaway feature
- 24" to 46 3/4" horizontal reach
- Mounts to a 2" post
- Holds HVE by tip
- Includes mount for vacuum trap



### TECH TIP

## Extend the life of your Vacuum Valves and Vacuum Pump

See page 112 for our Eco-Vac system cleaner.

- Continuous cleaning action
- Environmentally safe



5835



## Mounted Assistant's Instrumentation Packages and Holders

The Precision Comfort®, Standard, and Economy Mounted Kits are conveniently packaged with the specific parts needed to mount on any of the approved mounting surfaces. And offer the ability to be mounted either horizontally or vertically.

### FEATURED



5433

## Wall & Cart Mounted Assistant's Instrumentation

- PN 5432 Precision Comfort® Vacuum Package..... **\$590.00**
- PN 5433 Standard Vacuum Package..... **\$548.60**
- PN 5431 Economy Vacuum Package Assistant w/ STD Valves..... **\$506.20**

NEW

- One HVE w/ 6' tubing
- One SE w/ 6' tubing
- Syringe includes 7' tubing
- 1/4" Water Quick Disconnect

### FEATURED



4199

## Swing Mount Assistant's Kit

- PN 4199 Assistant Instrumentation Cabinet Mount Kit..... **\$650.00**

NEW

- Includes Precision Comfort® Syringe, HVE & SE
- Holds 4 HVE's by tip



**FEATURED**



NEW  
ITEMS

### Replacement A-dec® Style Vacuum Valves

PN <b>5061</b>	Autoclavable Extended Vacuum Valve.....	<b>\$74.10</b>
PN <b>5060</b>	Autoclavable Short Vacuum Valve.....	<b>\$67.70</b>
PN <b>5062</b>	Autoclavable Saliva Ejector.....	<b>\$67.70</b>
PN <b>5063</b>	Bail & Spool Assy w/ O-Ring for HVE.....	<b>\$21.40</b>
PN <b>5064</b>	Swivel Assy w/ O-Ring for HVE.....	<b>\$17.10</b>
PN <b>5065</b>	Bail & Spool Assy w/ O-Ring for SE.....	<b>\$21.40</b>
PN <b>5066</b>	Swivel Assy w/ O-Ring for SE.....	<b>\$15.10</b>
PN <b>5067</b>	Service Kit for HVE.....	<b>\$14.00</b>
PN <b>5068</b>	Service Kit for SE.....	<b>\$12.50</b>

PAGE **114** **ILLUSTRATED**  
Parts Breakdown



5220



5680



5681

### Precision Comfort® Conversion Q.D. Swivels

PN <b>5220</b>	A-dec® HVE Q.D. Swivel.....	<b>\$21.40</b>
PN <b>5111</b>	Pelton & Crane™ HVE Q.D. Swivel.....	<b>\$21.40</b>
PN <b>5680</b>	Cattani HVE Q.D. Swivel 26mm Swivel, 18mm Barb.....	<b>\$25.60</b>
PN <b>5681</b>	Cattani SE Q.D. Swivel 20mm Swivel, 11mm Barb.....	<b>\$21.40</b>

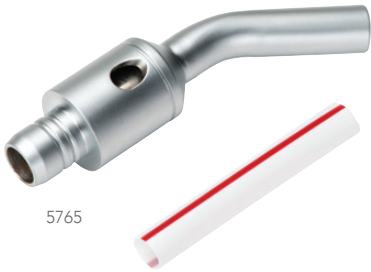
- Precision Comfort® Q.D. Swivels allow proper fit in other equipment manufacturers' holders & tubing

*A-dec® is a registered trademark of A-dec, Inc. DCI has no affiliation with A-dec and A-dec has not authorized DCI replacement parts to be used on or in connection with A-dec® products.*

### DIRECT REPLACEMENT FOR PELTON & CRANE™ TIP-A-DILLY

#### Evacu-Tips

<b>PN 5765</b> Evacu-Tip Adapter (P&C 006393).....	<b>\$62.10</b>
<b>PN 5767</b> Evacu-Tip Straws (carton of 6 boxes, 1,200 straws).....	<b>\$47.70</b>



- Metal oral evacuator adapter is compatible with most HVE valves
- Fingertip adjustable vacuum with side vents
- Accommodates disposable straws
- Autoclavable
- Straws are compatible with Pelton & Crane™ Tip-a-dilly



#### Vacuum Termination Plug

<b>PN 5179</b> Vacuum Termination Plug.....	<b>\$14.20</b>
---	----------------

- Autoclavable
- Anodized aluminum
- Fits in standard instrument hanger



#### **TECH TIP:** Extend the life of your vacuum valves!

##### AFTER EACH PATIENT:

Draw clean water through the valve. Open and close the valve several times to free any debris.

##### AT THE END OF EACH DAY:

Use a stiff brush and mild detergent to clean internal surface. For valves with threaded tips, remove the tip and clean the threads.

*When operating the valve becomes difficult, remove the spool, inspect and clean all parts including O-Rings. Reapply O-Ring lube DCI #8031 and reassemble.*



### Saliva Ejector Tips



PN <b>5754</b>	Push-on Autoclavable, Gray.....	<b>\$3.21</b>
PN <b>5750</b>	Push-on Autoclavable, Black.....	<b>\$3.21</b>
PN <b>5757</b>	Push-on Autoclavable, 5 pack, Gray.....	<b>\$14.50</b>
PN <b>5758</b>	Push-on Autoclavable, 5 pack, Black.....	<b>\$14.50</b>
PN <b>5742</b>	Screw-on Autoclavable Tip, Gray.....	<b>\$23.90</b>
PN <b>5740</b>	Screw-on Autoclavable Tip, Black.....	<b>\$23.90</b>

- Push-on or screw-on
- Tips are autoclavable
- Latex-free

### Saliva Tip Adapter



PN <b>5752</b>	Saliva Ejector Adapter.....	<b>\$10.70</b>
----------------	-----------------------------	----------------

- Adapts to HVE valve
- Connects 1/2" HVE tubing to 3/16" SE tubing
- Not autoclavable

### Saliva Ejector Tip



PN <b>5720</b>	Saliva Ejector Assembly.....	<b>\$12.40</b>
----------------	------------------------------	----------------

- Push-on autoclavable tip
- Without valve
- Removable clean out basket

### Saliva Ejector Adapter



PN <b>5751</b>	Tubing Adapter.....	<b>\$5.40</b>
----------------	---------------------	---------------

- 7/16" O.D. x 7/32" barb
- Inserts into vacuum canister port or HVE valve



### Autoclavable Dry Oral Cup

PN **5840** Dry Oral Cup..... **\$30.00**

- Used w/ central vacuum valves
- White autoclavable plastic
- 4" diameter x 4 1/2" high



### Dry Oral Cup Liners

PN **5845** Liners (pkg of 1000)..... **\$580.00**

- For use w/ 5840
- Pre-cut
- 6 oz.



5755

### Saliva Ejector Baskets

PN **5755** Disposable Basket, Plastic (pkg of 10)..... **\$6.40**



5620

### Valve Cleaning Brush

PN **5620** HVE Brush (3 3/4" bristles) (pkg of 5)..... **\$12.50**

PN **5621** SE Brush (3" bristles) (pkg of 5)..... **\$12.50**

PN **5623** Medium Brush (pkg of 5)..... **\$20.70**

PN **5622** Surgical Suction Tip Brush (pkg of 5)..... **\$20.70**

- Package of 5



5621





## Vacuum Canister, Bottom & Side Mount



5872



5877

PN <b>5872</b>	Side Port.....	<b>\$35.20</b>
PN <b>5873</b>	Bottom Ported.....	<b>\$35.20</b>
PN <b>5888</b>	Replacement Cap (w/ O-Ring).....	<b>\$7.80</b>
PN <b>2240</b>	O-Ring Seal for Cap (pkg of 12).....	<b>\$4.04</b>
PN <b>5877</b>	Mounting Bracket (for wall or counter-mount).....	<b>\$17.10</b>

- Available in either side or bottom port
- Solids collector w/ removable screen
- Accepts 2 HVE & 1 SE
- Uses 2 1/8" screens 5817, 5889, 5887
- Mounts using four 6-32 screws on bottom surface (included)
- 5872 & 5873 include mounting bracket 5877
- 5/8" O.D. Drain

## Vacuum Canister, Bracket Mounted



5810

<b>GRAY</b>	<b>BLACK</b>	
-------------	--------------	--

<b>5860</b>	<b>5810</b>	Kit, Includes Vacuum Canister & Both Brackets.....	<b>\$31.10</b>
<b>5866</b>	<b>5831</b>	Replacement Cap (w/ O-Ring).....	<b>\$6.70</b>
<b>5865</b>	<b>5812</b>	Bracket, Vertical-Mount.....	<b>\$3.63</b>
<b>5864</b>	<b>5813</b>	Bracket, Horizontal-Mount.....	<b>\$3.63</b>

PN <b>2221</b>	O-Ring Seal for Cap (pkg of 12).....	<b>\$4.04</b>
PN <b>5811</b>	1/2" Plug for HVE Port.....	<b>\$1.76</b>
PN <b>5821</b>	Plug for Saliva Ejector Port.....	<b>\$2.39</b>
PN <b>5814</b>	5/8" O.D. Drain Adapter (pkg of 10).....	<b>\$7.70</b>

- Used w/ central vacuum system
- Solids collector w/ removable screen
- Accepts 2 HVE & 1 SE
- Hydrocolloid drain provision
- 1/2" O.D. drain
- Uses 1 7/8" screens 5818, 5820, 5832

## Vacuum Canister Post Brackets



5825

PN <b>5825</b>	Gray Bracket, Anodized.....	<b>\$68.40</b>
PN <b>5827</b>	Gray Bracket, White.....	<b>\$68.40</b>

- For mounting vacuum canisters 5810 & 5860 on a 2" O.D. post
- Anodized or white powder coat

**FEATURED**

**NEW  
ITEMS**

## DCI Edge Screens



52081

PN <b>42021</b> Screen, Vacuum Trap, Series 4.....	<b>\$1.00</b>
PN <b>49188</b> Screen, Vacuum Trap, Solids Collector, Series 4 (Pkg of 100).....	<b>\$50.00</b>
PN <b>52081</b> Screen, Vacuum Trap, Solids Collector, Series 5.....	<b>\$1.00</b>
PN <b>52875</b> Screen, Vacuum Trap, Solids Collector, Series 5 (pkg of 100).....	<b>\$50.00</b>



5820

## Solids Collector Screens

PN <b>5820</b> Covered Screen, 1 7/8".....	<b>\$.75</b>
PN <b>5832</b> Covered Screen, 1 7/8" (pkg of 100).....	<b>\$48.00</b>
PN <b>5889</b> Covered Screen, 2 1/8".....	<b>\$.75</b>
PN <b>5887</b> Covered Screen, 2 1/8" (pkg of 100).....	<b>\$48.00</b>

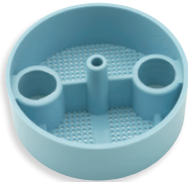
- Covered disposable vacuum trap
- Available in 1 7/8" & 2 1/8"



## Solids Collector Screens

PN <b>5818</b> Screen, Disposable (pkg of 100).....	<b>\$35.20</b>
---	----------------

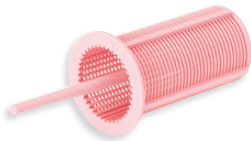
- 1 7/8" diameter
- Disposable (pkg of 100)
- For use w/ 5810 & 5860 Vacuum canister



## Solids Collector Screens

PN <b>5817</b> Screen, Disposable, 2 1/8" (pkg of 100).....	<b>\$35.20</b>
---	----------------

- 2 1/8" diameter
- Disposable screen (pkg of 100)
- For use w/ 5872 & 5873 Vacuum canister



## Screens to fit A-dec® Solids Collectors

PN <b>6818</b> Screen, Disposable (A-dec® #11.1191.00) (pkg of 144).....	<b>\$52.80</b>
---	----------------

- Fits A-dec® Cascade® & Performer®



## Screens to fit A-dec® Solids Collectors

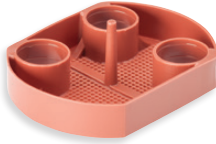
PN <b>5512</b> Screen, Disposable (A-dec® #11.1284.00) (pkg of 144).....	<b>\$52.30</b>
---	----------------

- Fits A-dec 300®/500®

A-dec®, A-dec 300®/500®, Cascade® and Performer® are registered trademarks of A-dec, Inc. DCI has no affiliation with A-dec and A-dec has not authorized DCI replacement parts to be used on or in connection with A-dec® products.



Download DCI's App



### Solids Collector Screens

PN **6821** Pelton & Crane™ Spirit Disposable Screen (pkg of 144)  
(P&C #9431388)..... **\$52.80**



5823

### Solids Collector Screens

PN **5823** Collector Screen..... **\$.96**  
PN **5822** Collector Screen (pkg of 100)..... **\$35.90**

- For use w/ DCI system 6000 & Reality units



### Cuspidor Screens

PN **5314** White Cuspidor Screen, 1 5/8" (pkg of 144)..... **\$52.80**

- Fits Marus Maxstar
- Fits A-dec® Cascade® & Performer®



### Cuspidor Screens

PN **5313** Gray Cuspidor Screen, 2 1/2" (pkg of 144)..... **\$52.80**

- Fits A-dec®, Ampco, Belmont, Dabi-Atlante, Dansereau, DCI, DentalEZ®, Forest, Knight, Marus™ Pro Plus & MDT



5312

### Cuspidor Bowls

PN **5312** Cuspidor Screen..... **\$5.30**

- Fits most manufacturer's cuspidor bowls
- Stem 2 1/2" O.D. x 1 1/2" I.D.



5101



5102

### Stainless Steel Sink Drain Screens

PN **5101** 4 3/8" Diameter Screen..... **\$8.50**  
PN **5102** 2 3/4" Diameter Screen..... **\$7.80**

- Autoclavable
- Prevents solid materials from clogging drains
- Available in two sizes to fit most standard sinks
- Stainless steel construction

A-dec®, Cascade® and Performer® are registered trademarks of A-dec, Inc. DCI has no affiliation with A-dec and A-dec has not authorized DCI replacement parts to be used on or in connection with A-dec® products.



5835

## Vacuum System Cleaner

PN <b>5835</b>	Eco Vac 1-Pint Bottle.....	<b>\$16.10</b>
PN <b>5837</b>	Eco Vac 1/2 Gallon Bottle.....	<b>\$53.40</b>
PN <b>5836</b>	Eco Vac Case of 12 1-Pint Bottles.....	<b>\$176.00</b>

- Continuous cleaning action
- Environmentally safe
- Contains NO hazardous materials
- Non-Toxic, non-pathogenic
- Non-corrosive liquid; safe to handle & store
- Easy to use, measured 1 pint dispenser holds 32 applications
- 1/2 gallon dispenser holds 128 applications

Eco Vac cleans vacuum systems and eliminates odors associated with organic waste by biologically degrading the waste into natural elements. Cleans and deodorizes without foaming or use of harsh chemicals. Eco Vac utilizes safe non-pathogenic, non-opportunistic, Class 1 bacteria.

One half ounce of Eco Vac mixed with one quart of warm water, drawn through the vacuum lines daily in each operatory, establishes a continuous biological action.



5851

## Vacuum Drain Assembly Kit

PN <b>5851</b>	Cuspidor Drain Kit.....	<b>\$222.60</b>
PN <b>5853</b>	Wash Station Drain Kit, 1 1/2" Sink.....	<b>\$243.30</b>
PN <b>9614</b>	Bowl Gasket.....	<b>\$2.07</b>
PN <b>9615*</b>	Diaphragm, 4 Holes, 3".....	<b>\$7.30</b>
PN <b>9616*</b>	Filter, 1 1/4" Long x 1".....	<b>\$5.20</b>
PN <b>9617*</b>	Bowl, 1 3/8" Long x 1 3/8" Diaphragm.....	<b>\$14.00</b>
PN <b>9632</b>	Diaphragm, No Holes, 2 9/16" Diaphragm.....	<b>\$9.40</b>
PN <b>9633</b>	Bowl, 2 5/8" Long x 1 3/8".....	<b>\$14.00</b>
PN <b>9634</b>	Filter, 2 1/2" Long x 1".....	<b>\$6.60</b>

- Select kit for either a cuspidor or a sink drain
- Eliminates the need for conventional plumbing
- Allows installation where a gravity drain is not available or practical
- Includes flush toggle to allow remote activation, PN 7026

\* Repair items for valves purchased prior to 1997





### Holder Activated AVS System

PN 5586 Holder Activated AVS System..... **\$403.70**

- Air powered oral evacuation
- Requires 50 PSI minimum air pressure
- 1 quart plastic collection bottle
- Mounts to underside of dental unit or cabinet
- Precision Comfort Extended HVE 5112
- 6' of Smooth Vacuum Tubing 733
- Activated by holder & air switch

PN 5582 1 Quart Replacement Bottle..... **\$31.10**

- 1 quart plastic collection bottle



### Foot Control Activated AVS System

PN 5585 Foot Control Activated AVS System..... **\$403.70**

- Air powered oral evacuation
- Requires 50 PSI minimum air pressure
- 1 quart plastic collection bottle
- Mounts to under counter or on the wall (hardware included)
- Air connection uses 1/4" O.D. supply tubing
- Precision Comfort Extended HVE 5112
- 6' of Smooth Vacuum Tubing 733
- Requires Scaler Button Style FC to operate (not included)
- See page 328 for a full list of Scaler Button Foot Controls

PN 5582 1 Quart Replacement Bottle..... **\$31.10**

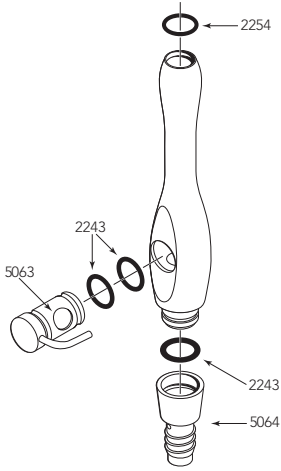
- 1 quart plastic collection bottle



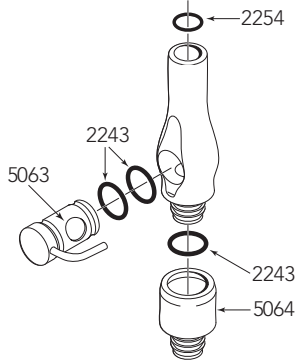
### Download the DCI Catalog App

Looking for a digital version of the DCI Catalog? Visit the iTunes or Android app store and download it today. View the catalog on your mobile device, iPad or laptop!

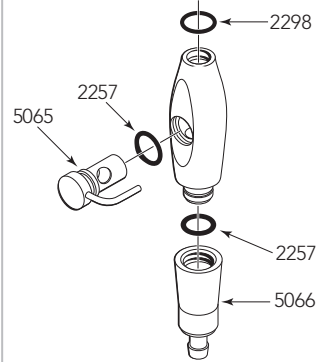
### 5061



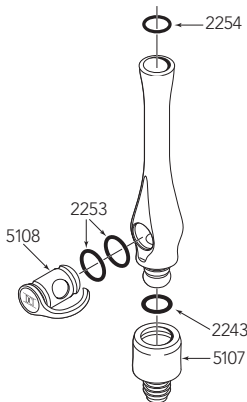
### 5060



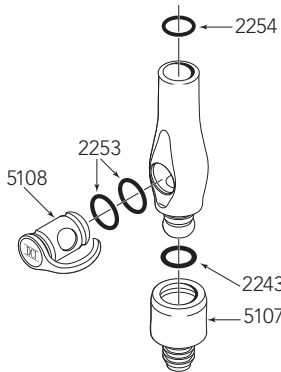
### 5062



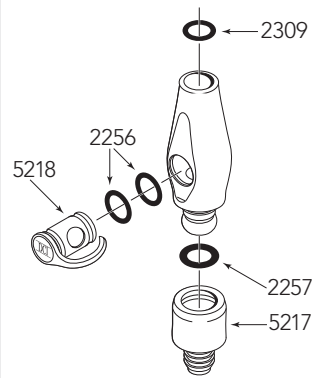
### 5112



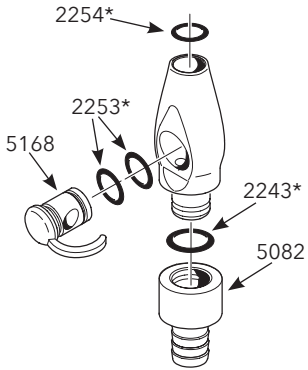
### 5131



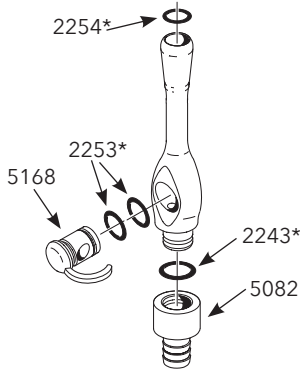
### 5222



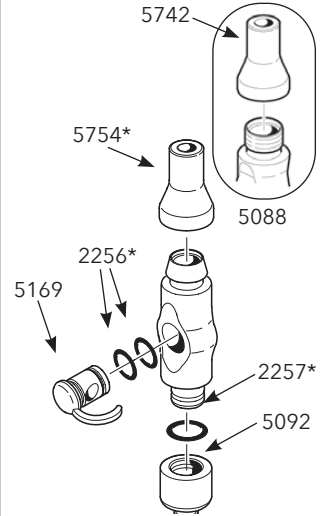
5080



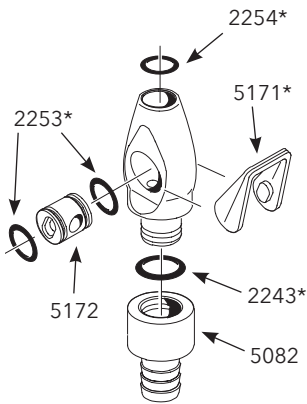
5070



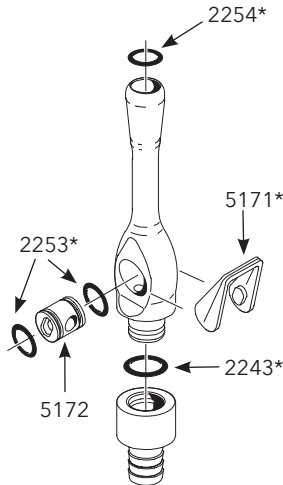
5090



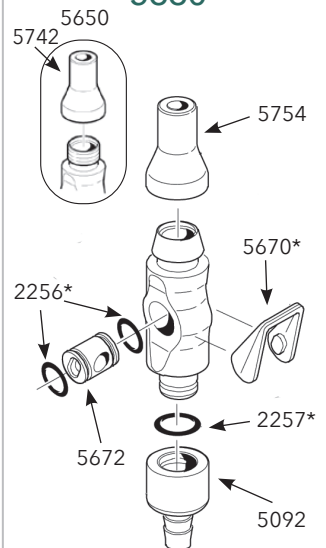
5148



5150



5660



## Vacuum Valve Illustrated Parts Breakdown Price List

PN 2243	O-Ring (pkg of 12).....	<b>\$8.50</b>
PN 2253	O-Ring (pkg of 12).....	<b>\$8.50</b>
PN 2254	O-Ring (pkg of 12).....	<b>\$8.50</b>
PN 2256	O-Ring (pkg of 12).....	<b>\$8.50</b>
PN 2257	O-Ring (pkg of 12).....	<b>\$8.50</b>
PN 2309	O-Ring (pkg of 12).....	<b>\$8.50</b>
PN 5107	Premium Anodized Swivel for 1/2" Tubing.....	<b>\$13.50</b>
PN 5217	Premium Anodized Swivel for 3/16" Tubing.....	<b>\$11.40</b>
PN 5108	Premium Anodized HVE Lever & Spool Valve Assembly.....	<b>\$20.70</b>
PN 5218	Premium Anodized SE Lever & Spool Valve Assembly.....	<b>\$20.70</b>
PN 5165	Precision Comfort® HVE O-Ring Repair Kit.....	<b>\$13.50</b>
PN 5166	Precision Comfort® SE O-Ring Repair Kit.....	<b>\$12.50</b>

## Vacuum Instrument Illustrated Parts Breakdown Price List

PN 2206	O-Ring (pkg of 12).....	<b>\$3.01</b>	PN 5755	Strainer Basket (pkg of 10).....	<b>\$6.40</b>
PN 2207	O-Ring (pkg of 12).....	<b>\$3.01</b>	<b>Anodized Vacuum Instrument Repair Kits</b>		
PN 2208	O-Ring (pkg of 12).....	<b>\$4.14</b>	PN 5084	Premium & Standard Repair Kit, Autoclavable HVE 5070.....	<b>\$2.70</b>
PN 2209	O-Ring (pkg of 12).....	<b>\$5.70</b>	PN 5093	Premium & Standard Repair Kit, Autoclavable SE 5090.....	<b>\$5.10</b>
PN 2243	O-Ring (pkg of 12).....	<b>\$8.50</b>	PN 5145	Repair Kit, Autoclavable HVE 5150.....	<b>\$10.20</b>
PN 2253	O-Ring (pkg of 12).....	<b>\$8.50</b>	PN 5645	Repair Kit, Autoclavable SE 5660.....	<b>\$9.50</b>
PN 2254	O-Ring (pkg of 12).....	<b>\$8.50</b>			
PN 2256	O-Ring (pkg of 12).....	<b>\$8.50</b>			
PN 2257	O-Ring (pkg of 12).....	<b>\$8.50</b>			
PN 5082	Anodized Swivel w/ O-Ring.....	<b>\$13.50</b>			
PN 5092	Anodized Swivel w/ O-Ring.....	<b>\$11.40</b>			
PN 5168	Lever & Spool Valve Assembly.....	<b>\$23.90</b>			
PN 5169	Lever & Spool Valve Assembly.....	<b>\$21.80</b>			
PN 5171	Replacement HVE Lever.....	<b>\$6.30</b>			
PN 5172	Valve Spool w/ O-Rings.....	<b>\$7.60</b>			
PN 5670	Replacement SE Lever.....	<b>\$5.20</b>			
PN 5672	Valve Spool w/ O-Rings.....	<b>\$7.30</b>			
PN 5742	Saliva Ejector Tip, Screw-On (gray).....	<b>\$23.90</b>			
PN 5750	Saliva Ejector Tip (black).....	<b>\$3.21</b>			
PN 5754	Saliva Ejector Tip Gray.....	<b>\$3.21</b>			





# MOUNTS, ARMS & HOLDERS



118-123

Holders



124-125

1/2" Pin Mounts



126

Flat Panel  
Monitor Mounts



127

Trays



128

Flex Arms



129

Carts



130-132

Chair Adapters  
& Posts



133-134

Illustrated Parts  
Breakdown



4561

## Asepsis Holders

**The Molded, Automatic HP Asepsis Holders** are built on an aluminum frame with an asepsis molded housing, giving them a clean, modern design.

### FEATURED



**SOLID ALUMINUM FRAME WITH ASEPSIS MOLDED HOUSING**

## Asepsis Holders



4561

GRAY	4% GRAY, LIGHTER (BELMONT)	LT SAND	WHITE W/ GRAY TUB.	WHITE W/ STERLING TUB.	
4869	4578	5987	4561	4576	Normally Closed...\$42.30
4868	4579		4564	5914	Normally Open...\$45.60

NEW ITEMS

- Automatic Handpiece Holders
- Air operated actuator control
- Resists chemical discoloration
- Designed for 1/2" bar-mounting
- Adjustable tilt angle



4566

WHITE	LT SAND	GRAY	
4566	5988	4568	Asepsis Universal Holder.....\$31.10

- Used for handpieces, syringes, saliva ejectors & Extended HVE valve
- Used w/vacuum valves w/ tip extension
- Resists chemical discoloration
- Designed for 1/2" bar-mounting
- Adjustable tilt angle
- Automatic Syringe Holders



### Universal Holders

PAGE 133 ILLUSTRATED Parts Breakdown



#### MACHINED ALUMINUM MOUNT WITH DURABLE PLASTIC HOLDER



5960

GRAY	BLACK		
5960	5940	HP Holder w/ Lockout Toggle.....	\$41.40
4592		HP Holder w/o Lockout Toggle.....	\$41.40

- Easy clean style
- Air operated actuator control
- Normally closed
- Designed for 1/2" bar-mounting w/ adjustable tilt angle



5965

GRAY	BLACK		
5965	5945	Standard Holder.....	\$18.70

- Used for handpieces, syringes, saliva ejectors
- Adjustable tilt angle
- For 1/2" bar-mounting
- Used with Extended HVE valve



5970

GRAY	BLACK		
5970	5950	HVE Holder.....	\$18.70

- Holds vacuum valves from base
- For 1/2" bar-mounting
- Adjustable tilt angle



## Holder Bars

GRAY	BLACK		
5881	5951	Holder Bar, Single 2"	\$15.10
5882	5952	Holder Bar, Dual 4"	\$17.60
5883	5953	Holder Bar, Triple 6"	\$19.70
5884	5954	Holder Bar, Quad 8"	\$21.80
5880	5926	Holder Bar, 10"	\$25.90
5885	5955	Holder Bar, 14"	\$29.00

- For use w/ 4592 & 5940 through 5970 holders
- Mounting Hardware Included

## FEATURED

NEW ITEMS

## Asepsis Clip-on Holders



4581

WHITE	GRAY		
4580	4581	Holder, Assy, Handpiece, Normally Closed	\$31.10
4582	4583	Holder, Vacuum, HVE (by the base)	\$17.10
4585	4586	Holder, Syringe (SE or Extended HVE by the tip)	\$17.10

- HP holder has air operated actuator



4562

## Electric Holders

PAGE 133 ILLUSTRATED Parts Breakdown

WHITE	BLACK	GRAY		
4562	5966	5967	Normally Open	\$58.00
4563	5968	5969	Normally Closed	\$58.00
		5976	HVE Normally Closed	\$58.00



5966



5967

- Holder assembly w/ low voltage switch for direct activation of electrical accessory
- On / off lockout toggle, 5966-5969
- 125 Volts AC / DC 5 amps
- Automatic holder

### Replacement Holders



GRAY	BLACK		
<b>5961</b>	<b>5941</b>	Automatic HP Holder.....	<b>\$9.40</b>
<b>5962</b>	<b>5942</b>	Standard Holder.....	<b>\$9.40</b>
<b>5963</b>	<b>5943</b>	Vacuum Holder.....	<b>\$9.40</b>

- Replacement holders for bracket assemblies

PAGE 133 ILLUSTRATED Parts Breakdown

### Economy Holders



WHITE	GRAY	BLACK		
<b>5900</b>	<b>5910</b>	<b>5905</b>	For HP, SE, HVE w/ Tip.....	<b>\$6.80</b>
<b>5915</b>	<b>5918</b>	<b>5920</b>	For Syringes.....	<b>\$6.80</b>
<b>5925</b>	<b>5923</b>	<b>5903</b>	For HVE's.....	<b>\$6.80</b>

- Mounts on holder brackets 5929 - 5935
- Includes 10-32 mounting screw

### Holder Brackets



PN <b>5929</b>	Single Gray Plastic.....	<b>\$6.50</b>
PN <b>5930</b>	Single White Plastic.....	<b>\$6.50</b>
PN <b>5931</b>	Single Black Plastic.....	<b>\$6.50</b>
PN <b>5932</b>	2-Position Aluminum.....	<b>\$25.90</b>
PN <b>5933</b>	3-Position Aluminum.....	<b>\$31.10</b>
PN <b>5934</b>	4-Position Aluminum.....	<b>\$66.30</b>

- For use w/ 5900 - 5925 holders
- Mounting Hardware Included

### Automatic Handpiece Holder Valves

PAGE 134  ILLUSTRATED Parts Breakdown



5947



5989

PN <b>5947</b>	Normally Open, Side Ported.....	<b>\$11.30</b>
PN <b>5948</b>	Normally Closed, Side Ported.....	<b>\$11.30</b>
PN <b>5983</b>	Normally Closed, Rear Ported.....	<b>\$12.20</b>
PN <b>5989</b>	Normally Open, Rear Ported.....	<b>\$12.00</b>

- 5948 normally closed is used for 5940, 5960 & 4592 handpiece holders
- 5983 normally closed is used for 4561
- 5947 & 5989 are used for positive air signal

### Telescoping Breakaway Arm Systems



8186

8237

WHITE	GRAY	ANODIZED
-------	------	----------

<b>8185</b>	<b>8729</b>	<b>8223</b>	Telescoping Arm w/ 3-Pos Holder.....	<b>\$465.80</b>
<b>8186</b>	<b>8730</b>	<b>8237</b>	Telescoping Arm w/ 4-Pos Holder.....	<b>\$491.70</b>

- 24" to 46 3/4" horizontal reach
- 7 1/2" rigid arm
- Designed for mounting assistant's accessories
- Includes post-mount
- Use w/ 2" post-mount or wall-mount
- Breakaway feature protects equipment

### 1/2" Pin Adapter & Vacuum Canister Mount for Telescoping Arm



8407



8244

WHITE	GRAY
-------	------

<b>8305</b>	<b>8407</b>	Adapter.....	<b>\$41.40</b>
-------------	-------------	--------------	----------------

- Mounts on the end of telescoping arms
- Accepts 1/2" O.D. pin
- PN **8244** Vacuum Canister Mount..... **\$41.40**
- Slide over a 1/2" bar
- Used to mount vacuum canisters

### Horseshoe Assistant's Holder Bar



8241

WHITE	GRAY
-------	------

<b>8241</b>	<b>8402</b>	Bar & Holders.....	<b>\$248.40</b>
-------------	-------------	--------------------	-----------------

- Includes three holders
- 1/2" O.D. pin

**FEATURED**

**NEW**

### Assistant's Holders for DCI Edge



52161G

WHITE	GRAY
<b>52161W</b>	<b>52161G</b>

4-Position Holder, Series 5.....**\$60.00**

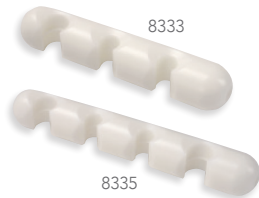


8332

### Assistant's Holder Bars for Telescoping Arm

PN <b>8632</b>	3-Position Holder, Holds SE & HVE by Base.....	<b>\$138.70</b>
PN <b>8242</b>	3-Position Holder, Holds SE & HVE by Tip.....	<b>\$138.70</b>
PN <b>8633</b>	4-Position Holder, Holds SE & HVE by Base.....	<b>\$140.80</b>
PN <b>8332</b>	4-Position Holder, Holds SE & HVE by Tip.....	<b>\$140.80</b>

- Mounts on end of 1/2" O.D. bar
- Holder for syringe & vacuum valves



8333

8335

### Assistant's Holders

PN <b>8333</b>	3-Position Holder, Holds HVE by Base.....	<b>\$77.70</b>
PN <b>8334</b>	3-Position Holder, Holds HVE by Tip.....	<b>\$77.70</b>
PN <b>8335</b>	4-Position Holder, Holds 2 HVE's by Base.....	<b>\$97.30</b>
PN <b>8364</b>	4-Position Holder, Holds 2 HVE's by Tip.....	<b>\$97.30</b>

- Mounts on 1/2" O.D. pin
- Mounting screw included
- 3- or 4-position holder for syringe & vacuum valves



8331

### Swing Mount Holder Bar

PN <b>8343</b>	3-Position Holder.....	<b>\$155.30</b>
PN <b>8331</b>	4-Position Holder.....	<b>\$170.80</b>

- Mounts to vertical or horizontal surface
- 3- or 4-position holder for syringe & vacuum valves held by tip



4445

### Under Counter Holder Bar

WHITE	GRAY
<b>4445</b>	<b>4444</b>

Cabinet-Mount Holder Bar.....**\$144.90**

- For use w/ molded asepsis holders
- Bar is 10 1/2" x 3 1/2"



## Surface Mount Brackets

WHITE	GRAY		
8378	8308	Vertical Mount.....	\$60.90
8379	8309	Horizontal Mount.....	\$60.90
4289	4291	Under Counter Mount.....	\$67.30

- For mounting folding & telescoping arms to flat vertical or horizontal surfaces
- Mounting plate 4" x 4"
- Accepts 1/2" O.D. pin



## Post Mount Brackets

WHITE	GRAY		
8259	8253	2" Post Mount.....	\$72.50

- For mounting folding & telescoping arm assemblies to 2" diameter post
- Accepts 1/2" O.D. pin



## Reducing Bushings

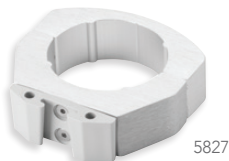
PN 8618	Reducing Bushing From 2" to 1.7".....	\$20.50
PN 8617	Reducing Bushing From 2" to 1 1/2".....	\$20.50
PN 9631	1/16" Nyliner to expand to a 2" post.....	\$20.20



## Clamp On Water System & Accessory Adapters

PN 8137	2" Anodized Post Adapter.....	\$67.80
PN 8162	2" White Post Adapter.....	\$67.80

- Adapts water systems or accessories to posts



## Vacuum Canister Post Brackets

PN 5825	Gray Bracket, Anodized.....	\$68.40
PN 5827	Gray Bracket, White.....	\$68.40

- For mounting vacuum canisters 5810 & 5860 on a 2" O.D. post





### Folding Rigid Arm Sections

WHITE	GRAY	ANODIZED		
8337	8303		6" Arm.....	\$64.20
8338	8304		8" Dual Pivot Arm.....	\$66.30
8356	8306	8230	12" Arm.....	\$72.50
8357	8307	8231	16" Arm.....	\$78.70

- Mounts using 1/2" pin



### Top Post Mount Brackets

WHITE	GRAY		
8489	8294	Top Post Mount.....	\$141.30

- For mounting folding & telescoping arm assemblies
- Accepts 1/2" O.D. pin
- White & gray scratch resistant powder coat finish
- Fits Radius® style & most vertical posts
- Fits 2" diameter post



### Control Mount Bracket

WHITE	GRAY		
8336	8634	Mounting Bracket.....	\$107.70

- Use w/ folding rigid arms
- Mounts using 1/2" pin
- For DCI Alternative & Series 4 Units or assistant's instrumentation packages 5432 & 5433

#### TECH TIP



### TRYING TO SOLVE A TOUGH TECHNICAL PROBLEM?

Visit the DCI Service Forum at [www.dcionline.com](http://www.dcionline.com) or the DCI Video Library where you can collaborate with fellow technicians and find the answers to the most challenging dental repairs!

A-dec® and Radius® are registered trademarks of A-dec, Inc. DCI has no affiliation with A-dec and A-dec has not authorized DCI replacement parts to be used on or in connection with A-dec® products.

### FEATURED

### Flat Panel Monitor – Vertical Post Mounted



4820

WHITE	GRAY
-------	------

4920	4820
4955	4855

NEW ITEMS

4825
4813
4812

Monitor Only.....	\$331.20
Monitor & Full Size Keyboard.....	\$820.00
Keyboard Tray, Full, w/6" Arm, Vertical Post Mounted.....	\$331.20
Keyboard Tray, Full, w/o Arm.....	\$255.40
Mouse Tray Kit.....	\$155.30



4813



4825

- Utilizes 1/2" pin for use w/ folding rigid arms & mounts
- Fits either 75mm or 100mm VESA patterns
- Includes 2" vertical post mount
- Tilts up & down 30°
- Keyboard trays include 8" dual pivot arm
- Monitor & keyboard have quick adjustment knob
- Swivels left to right 55°
- Post not included



4824

### Flat Panel Monitor – Top Post Mounted

WHITE	GRAY
-------	------

4924	4824
------	------

Monitor Only.....	\$500.00
-------------------	----------

### Utility Shelf Assembly

WHITE	GRAY
-------	------

8393	8390
------	------

2" Post or H-Frame Mount.....	\$240.00
-------------------------------	----------



8390

- Pivots on mounting bracket for easy access
- Mounting bracket included
- Mounts using 1/2" pin
- 12" x 12" surface area



### Flex Arm Mounted Trays



WHITE	GRAY
<b>8398</b>	<b>8430</b>
<b>8046</b>	<b>8047</b>
<b>8051</b>	<b>8052</b>

For Use w/ Current DCI Flex Arms.....	<b>\$257.80</b>
16" Holder Bar U-Shaped.....	<b>\$63.10</b>
Bar Holders Each.....	<b>\$27.30</b>

- For use w/ flexible arm systems
- 1/2" holder bar
- Stainless steel tray holder  
9 3/4" x 13 1/2"

### Folding Rigid Arm Mounted Tray



WHITE	GRAY
<b>8397</b>	<b>8429</b>

Arm Mounted Tray.....	<b>\$305.40</b>
-----------------------	-----------------

- Mounts to folding rigid arms using 1/2" pin
- Stainless steel tray holder  
9 3/4" x 13 1/2"

### Trays



8013



8012

PN <b>8013</b> Stainless Steel Tray (B Size).....	<b>\$43.50</b>
PN <b>8012</b> Plastic Tray (A Size).....	<b>\$18.70</b>
PN <b>8222</b> Non Skid Pad.....	<b>\$10.90</b>

- Stainless steel tray
- Plastic tray

### Bracket for Mounting Instruments to Alternative Control Heads



4272



4274



4273

PN <b>4272</b> Bracket for 4370 / 4270.....	<b>\$62.10</b>
PN <b>4274</b> Bracket for 4120 / 4121 / 4020.....	<b>\$72.50</b>
PN <b>4273</b> Instrument Tray Holder (Mounts to 4272 & 4274).....	<b>\$72.50</b>
PN <b>4276</b> Under Counter Unit Mount.....	<b>\$72.50</b>

- For mounting tray 4273 & control head to control arm
- White powder coat
- Retrofits to earlier models  
4270 & 4020

## FEATURED

### Post Mount Flexible Arms



Standard configuration mounts on 2" post



Shown w/ optional top post mount adapter 8923

	WHITE	GRAY		
NEW ITEMS	4905	4907	50" Horizontal Reach.....	\$900.00
	4906	4908	34" Horizontal Reach.....	\$900.00
	8923	8956	Top Post Mount Adapter 1.5" O.D.....	\$160.00



8923

- Flexible counterbalanced arm w/ pneumatic brake
- 50" Over-the-Patient Style
- 34" Side Delivery Style
- Built in tension adjustment mechanism
- Vertical travel is 23"
- Rigid arm is 26" on the 50" arm, & 11" on the 34" arm
- Mounts on 2" diameter post or wall-mount brackets 8647 & 8349
- Easy conversion from thru post to top post mount

### Post w/ Oilite Bushing for Top Post Mount



4764

	WHITE	GRAY		
	4762	4764	24" for Top Post Mount.....	\$196.70
	4763	4765	30" for Top Post Mount.....	\$202.90

- Fits DCI top post mount arms with adapter
- 1.5" Inner diameter



### 2" Post Wall Mount

	WHITE	GRAY		
	8647	8349	Wall-Mount for Arm Systems.....	\$165.60

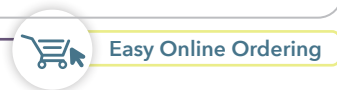
- 6" x 6" mounting plate
- Supports 60 lbs at 24" reach, when properly installed
- For use w/ current DCI flex arms



### Wall Mounting Board

PN 4222	Wall Mounting Board.....	\$319.90
---------	--------------------------	----------

- White Laminate w/ Gray Edge Banding
- Mount on 16" Wall Studs
- Mounting Hardware Included





### H-Style Mobile Stand

PN **8001** Mobile Cart H-Frame..... **\$370.00**

- Stable "H" frame base
- Adjustable vertical height from 25" to 41"
- Powder coat chrome finish
- 2" diameter post w/ 3" x 3" mounting plate
- Twin wheel casters roll freely on carpet or hard flooring
- 20" W x 18" D



### U-Style Mobile Stand

PN **8006** Mobile Cart U-Frame..... **\$370.00**

- Adjustable vertical height of 23" to 32"
- 15° angled upright
- Powder coat chrome finish
- 2" diameter w/ 3" x 3" mounting plate
- Twin wheel casters roll freely on carpet or hard flooring
- 18" W x 18" D



### Cart & Stool Casters

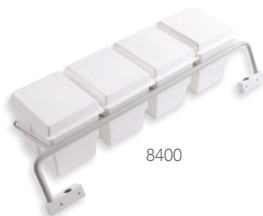
PN **2946** Soft wheel for hard floor caster, Gray..... **\$10.80**  
 PN **2972** Soft wheel for hard floor caster, Gray, (pkg of 5)..... **\$49.70**  
 PN **2948** Soft wheel for hard floor caster, Surf..... **\$10.80**  
 PN **2973** Soft wheel for hard floor caster, Surf (pkg of 5)..... **\$49.70**  
 PN **8010** Hard wheel for carpet, Gray..... **\$15.60**  
 PN **8002** Cart Caster Insert..... **\$8.00**  
 PN **54108** Hard Floor Caster, PU Tread, Taupe (DCI Edge/Reliance)..... **\$10.00**



### Cart Frame End Cap

PN **9224** Cart Frame End Cap..... **\$5.00**

- Designed for all carts
- Gray
- Semi-hemispherical shape



### Storage Well w/ Organizers

PN **8400** Well w/ Organizers..... **\$300.00**  
 PN **8410** Storage Tub (Includes Hinge, Dividers & Lid)..... **\$33.80**  
 PN **8411** Full Divider..... **\$4.66**  
 PN **8413** Replacement Hinge..... **\$2.59**  
 PN **8414** Lid..... **\$7.80**

- Mounting surface is 4" x 22"

### FEATURED

### Chair Adapters to fit:



NEW

PN **8920** Chair Adapter Forest 6000 Assy..... **\$414.00**



PN **8561** Marus™ Pro 1300-1600, DCI Equipment, Pelton & Crane 1700 ..... **\$410.00**



PN **8497** Royal..... **\$410.00**



PN **8918** Pelton & Crane™ Spirit 1500, 1800, 2005, 330, 3000, SP30, Marus™ / Schein Empire..... **\$410.00**



PN **8568** Pelton & Crane™ Coachman, Chairman 5000..... **\$414.00**



PN **8488** 2" Hub..... **\$414.00**



PN **8438** 8" Floor mount for 2" post..... **\$266.60**

- Chair adapters feature a scratch resistant light gray powder coat finish.

### Light Post Accessories



PN **8470** Pelton & Crane™ Light Bushing..... **\$25.60**



PN **8471** Ritter Light Bushing..... **\$25.60**

8476

PN **8476** Crush Bushing for Base of Post..... **\$25.60**



PN **8472** Power Cord (8')..... **\$21.30**

PN **8474** 2" White Post Cap..... **\$30.10**

PN **8408** 2" Gray Post Cap..... **\$30.10**

PN **8475** 2" Stainless Post Cap..... **\$29.00**

- Nylon Bushing fits 2" Posts
- **8470:** 1 7/8" O.D. x 1 11/16" I.D. for P&C, A-dec®, Marus™, Belmont, Knight L, Midmark, TPC lights
- **8471:** 1 7/8" O.D. x 1 3/8" I.D. for Ritter K, Dental EZ, Proma, Daray, Faro, Forest lights

A-dec® is a registered trademark of A-dec, Inc. DCI has no affiliation with A-dec and A-dec has not authorized DCI replacement parts to be used on or in connection with A-dec® products.



8431

### Light Post Extensions

WHITE	GRAY	METAL	LENGTH	
8921	8969	8431	24"	Post w/ P&C Bushing..... \$240.00
8922	8972	8432	24"	Post w/ Ritter Bushing..... \$240.00
8463	8986		30"	Post w/ P&C Bushing..... \$260.00
8464	8987		30"	Post w/ Ritter Bushing..... \$260.00
8466	8409	8465		Butterfly Clamp For 2" Post..... \$196.70

- Kit includes light post bushing, "Butterfly" clamp, 8' extension cord & post
- 24" or 30" post length
- Scratch resistant powder coat finish



8912

### Light Posts

WHITE	GRAY	METAL	LENGTH	
8912	8939	8478	24"	Post..... \$140.80
8421	8940	8218	30"	Post..... \$150.10
8913	8945	8454	40"	Post..... \$196.70
8449	8949	8453	48"	Post..... \$217.40
8914	8952	8450	60"	Post..... \$226.70
8474	8408	8475		Post Cap..... \$30.10

- 2" Diameter posts
- Posts feature a scratch resistant powder coat finish

PN 8476	Crush Bushing for Base of Post.....	\$25.60
PN 8470	P&C Bushing.....	\$25.60
PN 8471	Ritter Bushing.....	\$25.60
PN 8472	Power Cord (8').....	\$21.30



#### TECH TIP

Always use a crush bushing when using a post in a chair adapter. This will prevent damage from set screws.

### Chair Adapters to fit:



PN **8522** A-dec® Cascade® 1040..... **\$410.00**



PN **8515** A-dec® Priority 1005 & 1010..... **\$410.00**



PN **8500** A-dec® Decade® 1020, 1021, 1221 and 1015..... **\$410.00**



PN **8538** A-dec 500®..... **\$410.00**



PN **8493\*** Belmont Bel 07-50 Celib-Pro-Xcal, Westar 2001,  
Westar 5000, LSM DC-100, LSM C0H0..... **\$410.00**



PN **8917** Belmont Acutracc, B99, Clesta..... **\$410.00**



PN **8552** DentalEZ® E3000..... **\$414.00**



PN **8919** DentalEZ® Advantage E2000..... **\$410.00**



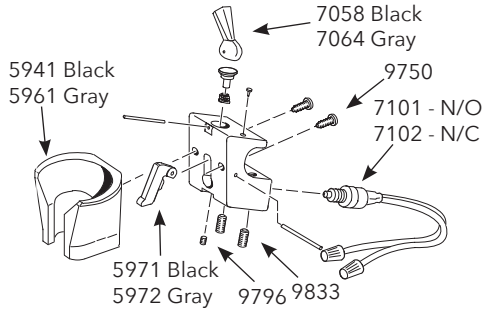
PN **8506** DentalEZ® J, PL200..... **\$414.00**

- Chair adapters feature a scratch resistant light gray powder coat finish.
- \* White scratch resistant powder coat finish

A-dec®, Cascade®, Decade® and A-dec 500® are registered trademarks of A-dec, Inc. DCI has no affiliation with A-dec and A-dec has not authorized DCI replacement parts to be used on or in connection with A-dec® products.

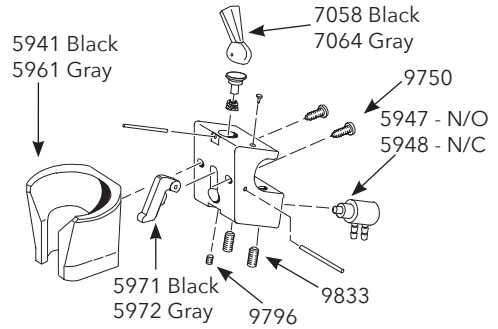


### Electric Auto Accessory Holder



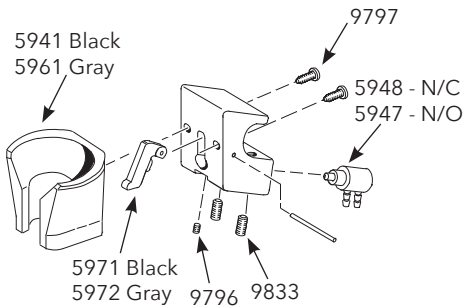
- 5966 Normally Open Black
- 5967 Normally Open Gray
- 5968 Normally Closed Black
- 5969 Normally Closed Gray

### Auto Handpiece Holder w/ Lockout



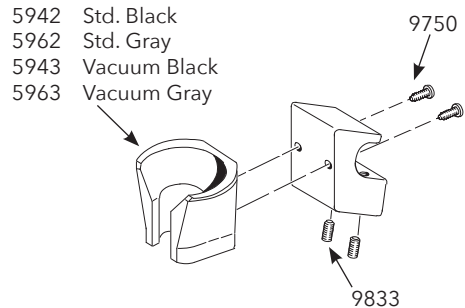
- 5940 Auto Holder Black
- 5960 Auto Holder Gray

### Auto Handpiece Holder w/o Lockout



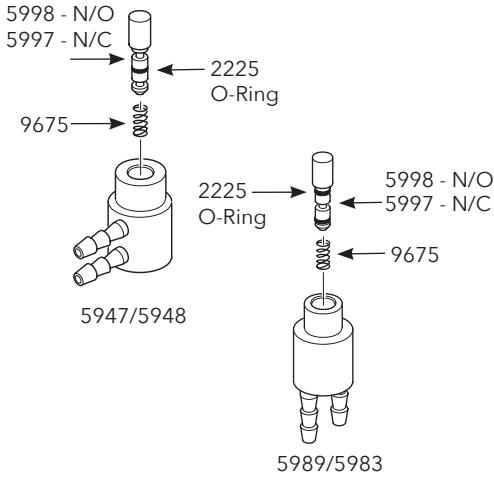
- 4592 Auto Holder Gray

### Standard & Vacuum Holders

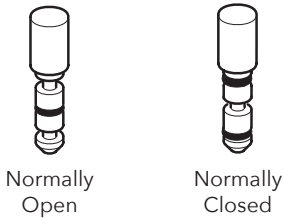


- 5945 Standard Holder Black
- 5965 Standard Holder Gray
- 5950 Vacuum Holder Black
- 5970 Vacuum Holder Gray

### Automatic Handpiece Holder Valve



### Stem Configuration

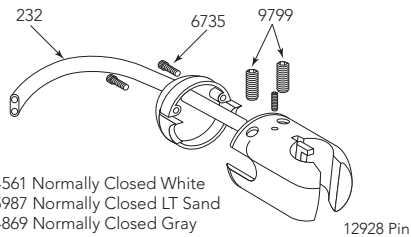


Note: In order to change stem configuration, adjust O-Ring accordingly

### Mounts, Arms & Holders Illustrated Parts Breakdown Price List

<b>5941</b>	Auto Holder (black)	\$9.40
<b>5942</b>	Standard Holder (black)	\$9.40
<b>5943</b>	Vacuum Holder (black)	\$9.40
<b>5947</b>	Normally open, side ported	\$11.30
<b>5948</b>	Normally closed, side ported	\$11.30
<b>5961</b>	Auto Holder (gray)	\$9.40
<b>5962</b>	Standard Holder (gray)	\$9.40
<b>5963</b>	Vacuum Holder (gray)	\$9.40
<b>5971</b>	Actuator Lever (black)	\$1.87
<b>5972</b>	Actuator Lever (gray)	\$1.87
<b>5983</b>	Normally closed, rear ported	\$12.20
<b>5989</b>	Normally open, rear ported	\$12.00
<b>5997</b>	Stem w/ O-Ring Normally Closed	\$1.14
<b>5998</b>	Stem w/ O-Ring Normally Open	\$1.14
<b>7058</b>	Toggle (black)	\$1.66
<b>7064</b>	Toggle (gray)	\$1.66
<b>7101</b>	Electric Switch Normally Open	\$14.70
<b>7102</b>	Electric Switch Normally Closed	\$15.10
<b>9675</b>	Spring	\$0.52
<b>9796</b>	Set Screw	\$0.83
<b>9750</b>	Screw	\$0.83
<b>9833</b>	Set Screw	\$0.83

### Asepsis Molded Automatic Handpiece Holder Assembly



- 4561 Normally Closed White
- 5987 Normally Closed LT Sand
- 4869 Normally Closed Gray
- 4564 Normally Open White
- 5983 Normally Closed rear ported valve
- 5989 Normally Open rear ported valve



# Foot Controls



136-139

Foot Controls



139-140

Repair Parts



141-143

Replacement OEM Foot Controls & Repair Kits



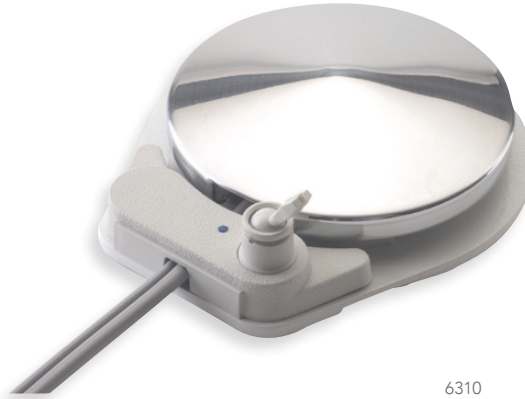
144

Illustrated Parts Breakdown

## Wet/Dry Disc-Type Foot Control

**Durable, Stainless-Steel Disk** with a powder-coated base and a replaceable breakaway wet/dry toggle. Our Foot Controls functionally match the delivery unit requirements and are available in various tubing colors.

PAGE 144  ILLUSTRATED Parts Breakdown



6310

### FEATURED

## Wet/Dry Disc-Type

DARK SURF	GRAY	LT SAND	STERLING	
6335	6310	6311	6322	Foot Control w/o Signal Relay..... <b>\$134.60</b>
6435	6410	6411	6423	Foot Control w/ Signal Relay..... <b>\$165.60</b>

- Responsive, high volume, variable flow
- Toggle for water coolant on/off
- 7' polyurethane 3-hole tubing (4-hole tubing with relay)



**Durable, Stainless-Steel Disk  
With Powder Coated Base**

Tough, clean design that  
resists scratches and  
corrosion



**Replaceable Breakaway  
Wet/Dry Toggle**

Wet/Dry Foot Controls feature  
a breakaway toggle that can  
be easily replaced.



**Signal Relay Gives  
Full Air Signal**

Signal relay delivers a  
continuous auxiliary pressure  
to activate water coolant even  
while modulating handpiece  
speed



## FEATURED

### Wet/Dry & Chip Blower Disc-Type

PAGE 144  ILLUSTRATED Parts Breakdown

DARK SURF	GRAY	LT SAND	STERLING	
6338	6315	6317	6324	FootControl w/o Signal Relay.....\$170.80
6438	6415	6416	6424	Foot Control w/ Signal Relay.....\$201.90
			<b>NEW</b> 6339	Scaler w/o Signal Relay.....\$170.80
				Scaler w/o Signal Relay.....\$170.80
				Scaler w/ Signal Relay.....\$180.10



6315

**NEW ITEMS** { 6325  
6421

- Responsive, high volume, variable flow
- Toggle for water coolant on/off
- Toe-touch button valve for chip blower
- 7' polyurethane 4-hole tubing (5-hole tubing with signal relay)

### Scaler Disc-Type

PAGE 144  ILLUSTRATED Parts Breakdown

DARK SURF	GRAY	LT SAND	STERLING	
6337	6320	6321	6332	FootControl w/o Signal Relay...\$134.60
6437	6420	6422	6432	Foot Control w/ Signal Relay....\$165.60



6320

- Responsive, high volume, variable flow
- Toe-touch button valve for on/off control of ultrasonic scaler (3-way, momentary)
- 7' polyurethane 3-hole tubing (5-hole tubing with signal relay)

### Chip Blower Disc-Type

PAGE 144  ILLUSTRATED Parts Breakdown

DARK SURF	GRAY	LT SAND	STERLING	
6336	6305	6307	6314	Foot Control w/o Signal Relay.....\$134.60
6436	6405	6407	6414	Foot Control w/ Signal Relay.....\$165.60



6305

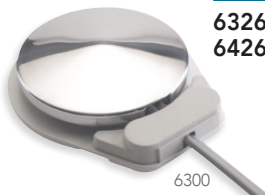
- Responsive, high volume, variable flow
- Toe touch button valve for chip blower, (2-way, momentary)
- 7' polyurethane 3-hole tubing (5-hole tubing with signal relay)



### Standard Disc-Type

DARK SURF	GRAY	LT SAND	STERLING
-----------	------	---------	----------

6326	6300	6303	6309	Foot Control w/o Signal Relay.....	\$79.70
6426	6400	6403	6409	Foot Control w/ Signal Relay.....	\$110.80



6300

- Responsive, high volume, variable flow
- 7' polyurethane 2-hole tubing (4-hole tubing w/ signal relay)

### Economy Disc-Type

DARK SURF	GRAY	LT SAND	STERLING
-----------	------	---------	----------

6327	6301	6304	6313	Foot Control w/o Signal Relay.....	\$70.40
------	------	------	------	------------------------------------	---------



6301

- Responsive, high volume, variable flow
- 7' Polyurethane 2-hole tubing

### Marus Foot Control Repair Kit

PN 6166 Kit, (Marus #85R186).....\$46.50



6166

**Kit Includes:**

- |         |                |         |                                    |
|---------|----------------|---------|------------------------------------|
| PN 6011 | Large Spring   | PN 5948 | Pilot Valve                        |
| PN 6018 | Piston         | PN 9750 | 4 x 1/2 Pan Head Phillips Screw    |
| PN 2210 | Piston O-Ring  | PN 9746 | 6 x 1/2 Pan Head Phillips Screw    |
| PN 6012 | Conical Spring | PN 6014 | 6-32 x 1/4 Pan Head Phillips Screw |
| PN 2207 | Body O-Ring    |         |                                    |
| PN 9010 | Poppet         |         |                                    |
| PN 6016 | Poppet Cap     |         |                                    |
| PN 6013 | Toggle Spring  |         |                                    |

### Foot Control Toggle Kit

PN 9329 Foot Control Toggle Kit, Gray.....\$4.66





### Foot Control Toggle Valve Assembly

PN **6132** Toggle Valve Assembly..... **\$25.40**

- For use in the repair of DCI & wet/dry foot controls



### Wet/Dry Foot Control Repair Kit

PN **6163** Foot Control Repair Kit..... **\$12.20**

- For use w/ all DCI wet/dry disc-type foot controls



### Foot Control Button Valve Assembly

PN **6093** 2-way Valve Assembly (chip air)..... **\$24.90**

PN **6094** 3-way Valve Assembly (scaler)..... **\$25.40**

- For use in the repair of DCI & A-dec® chip blower & scaler foot controls



### Chip Blower / Scaler Foot Control Repair Kit

PN **6162** Foot Control Repair Kit..... **\$9.30**

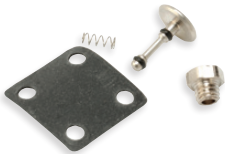
- For use w/ all DCI chip blower disc-type foot controls & scaler disc-type foot controls



### Standard DCI Foot Control Repair Kit

PN **6161** Foot Control Repair Kit..... **\$8.10**

- For use in the repair of all DCI standard disc-type foot controls



### Signal Relay Repair Kit

PN **6165** Signal Relay Repair Kit..... **\$6.90**

### Foot Control Replacement Ring

PN **6046** Foot Control Ring, Gray..... **\$9.60**

- Fits all DCI foot controls
- Now includes 4 screws

A-dec® is a registered trademark of A-dec, Inc. DCI has no affiliation with A-dec and A-dec has not authorized DCI replacement parts to be used on or in connection with A-dec® products.





## Parts to fit A-dec® Foot Control III

PN 9082 Service Kit, (A-dec® #90.0593.00)..... **\$25.40**



**Kit Includes:**

- PN 8034 Silicone Lubricant (A-dec® #98.0090.01)
- PN 9010 Foot Control Poppet (A-dec® #22.0060.00)
- PN 9029 Foot Control Spring .093 OD (A-dec® #10.0440.00)
- PN 9012 Foot Control Diaphragm 3/4" (A-dec® #38.0054.00)
- PN 6042 Foot Control Compression Spring
- PN 2210 O-Ring-012 Buna (A-dec® #030.012.00)
- PN 6097 Piston-Foot Control III with seal (A-dec® #38.0760.00)
- PN 6098 Relay Valve Stem w/ O-Rings (A-dec® #22.0778.00)
- PN 9066 Compression Spring (A-dec® #22.0778.00)

9082

## Parts to fit A-dec® Foot Control II

PN 9049 Complete Repair Kit, (A-dec® #90.0312.00)..... **\$17.60**



**Kit Includes:**

- PN 9125 Main Compression "Cover Spring" (A-dec® #013.011.00)
- PN 9026 Conical "Plunger Stem" Spring (A-dec® #013.022.00)
- PN 6096 Foot Control Stem Assy (A-dec® #38.0246.00)
- PN 6098 Signal Relay Stem w/ O-Rings (A-dec® #22.0778.00)
- PN 9012 Diaphragm (A-dec® #38.0054.00)
- PN 9029 Foot Control Spring (A-dec® #10.0440.00)

9049

6098

9026

9012

## Parts to fit A-dec® Foot Control I

PN 9141 Complete Rebuild Kit, (A-dec® #90.0010.00)..... **\$64.20**



**Kit Includes:**

- PN 9010 Plastic Poppet (A-dec® #22.0060.00)
- PN 9160 Piston Assembly (A-dec® #22.0083.00)
- PN 9123 Compression "Main" Spring (A-dec® #22.0135.00)
- PN 6098 Relay Stem (A-dec® #22.0778.00)
- PN 9012 Relay Diaphragm (A-dec® #38.0054.00)
- PN 9066 Compression Spring (A-dec® #22.0580.00)
- PN 9029 Foot Control Spring (A-dec® #10.0440.00)

9141

A-dec® is a registered trademark of A-dec, Inc. DCI has no affiliation with A-dec and A-dec has not authorized DCI replacement parts to be used on or in connection with A-dec® products.



## Parts to fit A-dec® Foot Control

PN **9144** Lever Foot Control Service Kit, (A-dec® #90.0313.00)..... **\$47.10**

**Kit Includes:**

- PN **9166** Valve Stem Assy (A-dec® #38.0211.00)
- PN **6098** Relay Stem Assy (A-dec® #22.0778.00)
- PN **9121** Extension Spring (A-dec® #38.0208.00)
- PN **9124** Compression Spring (A-dec® #013.019.00)
- PN **9012** Relay Diaphragm (A-dec® #38.0054.00)
- PN **9171** Brass Washer (A-dec® #004.057.00)
- PN **9029** Foot Control Spring (A-dec® #10.0440.00)



## Replacement A-dec® & Midmark Style Foot Control (Dark Surf)

PN **6306** A-dec® Replacement Wet / Dry & Scaler Button Foot Control (A-dec® # 38.1601.00)..... **\$206.00**

- Additional configurations available upon request, contact Customer Service



## Replacement A-dec® & Midmark Style Asepsis 5-Hole Foot Control Tubing

PN **653** Sheathed Asepsis 5-Hole Foot Control Tubing, Dark Surf (per ft.) (A-dec® #024.202.01) (Midmark #053-1709-00)..... **\$7.30**

PN **654** Sheathed Asepsis 5-Hole Foot Control Tubing, Gray (per ft.) (A-dec® #024.214.01) (Midmark #053-1709-00)..... **\$7.30**

- 1/8" tubings, 3 ea.
- 5/16" tubings, 2 ea.
- Fits A-dec 300 & 500



### TECH TIP

#### TUBINGS 653 & 654 ARE FOR A-DEC® UNITS WITH 5/16" TUBINGS.

They are not compatible with Cascade® and prior delivery systems.

A-dec® and Cascade® are registered trademarks of A-dec, Inc. DCI has no affiliation with A-dec and A-dec has not authorized DCI replacement parts to be used on or in connection with A-dec® products.





### Replacement A-dec® Style Foot Control Toggle Kit

PN <b>9329</b>	Foot Control Toggle Kit, Gray (A-dec® #38.0075.04)	<b>\$4.66</b>
PN <b>6113</b>	Foot Control Toggle Kit, Surf (A-dec® #38.0075.03)	<b>\$4.77</b>



6110

### Replacement A-dec® & Midmark Style Foot Control Parts

PN <b>6110</b>	A-dec® Foot Control Parts Wet/Dry Toggle 3-Way Valve Assembly (A-dec® #38.0604.00)	<b>\$23.30</b>
----------------	---	----------------



6112

PN <b>6112</b>	Scaler/Accessory Button w/ 3-Way Valve (A-dec® #38.0612.00)	<b>\$25.40</b>
----------------	---	----------------

PN <b>6111</b>	Chip Blower Button w/ 2-Way Valve (A-dec® #38.0610.00)	<b>\$25.40</b>
----------------	--	----------------

PN <b>6102</b>	Foot Control Housing, No Actuator Holes (A-dec® #38.0319.02)	<b>\$7.30</b>
----------------	---	---------------



6103

PN <b>6103</b>	A-dec® Foot Control Housing Actuator, 1-Hole for Toggle (A-dec® #38.0320.02)	<b>\$7.30</b>
----------------	---	---------------



6107

PN <b>6106</b>	A-dec® Foot Control Housing Actuator, 1-Hole for Button (A-dec® #38.0763.00)	<b>\$7.60</b>
----------------	---	---------------

PN <b>6104</b>	A-dec® Foot Control Housing, 2 Actuator Holes (A-dec® #38.0321.02)	<b>\$7.30</b>
----------------	---	---------------



6070

PN <b>6107</b>	A-dec® Foot Control II & III Retaining Ring (A-dec® #38.0237.00)	<b>\$9.40</b>
----------------	---	---------------

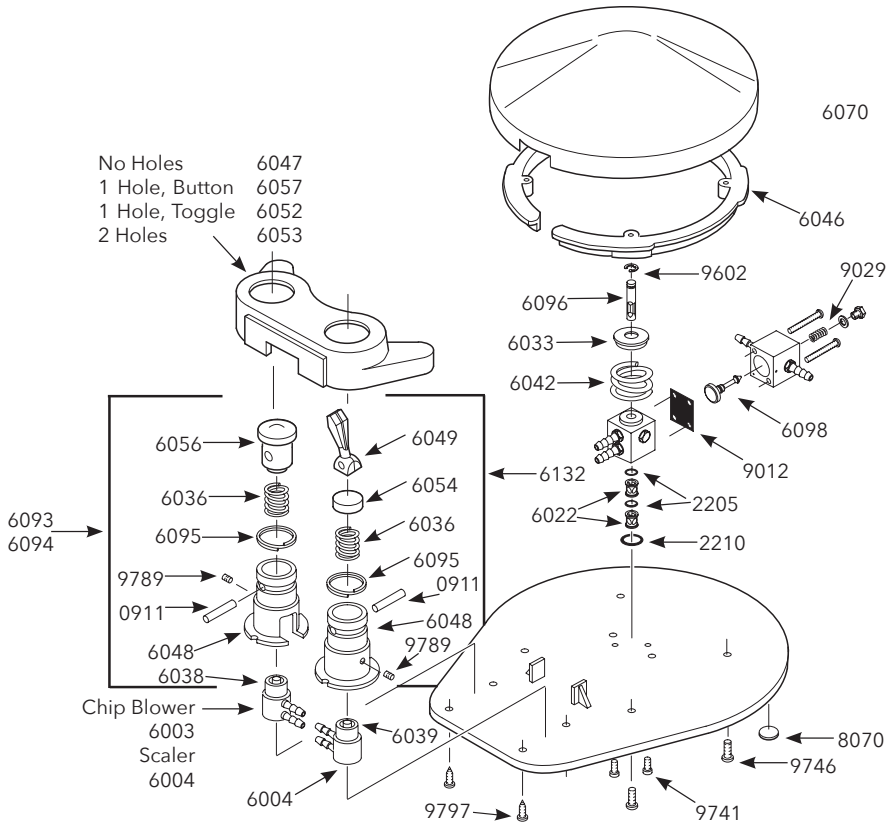
PN <b>6070</b>	Foot Control Cover, (A-dec® #22.0110.00)	<b>\$25.40</b>
----------------	--	----------------



6095

PN <b>6095</b>	Spring Clip, (A-dec® #010.056.00)	<b>\$0.42</b>
----------------	-----------------------------------	---------------

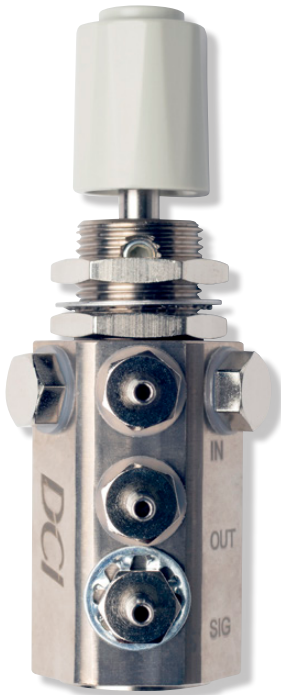
A-dec® is a registered trademark of A-dec, Inc. DCI has no affiliation with A-dec and A-dec has not authorized DCI replacement parts to be used on or in connection with A-dec® products.



## Foot Controls Illustrated Parts Breakdown Price List

<b>0911</b>	Pin.....	<b>\$0.52</b>	<b>6057</b>	Housing, 1-Hole Button (gray).....	<b>\$5.70</b>
<b>2205</b>	O-Ring (pkg 12).....	<b>\$3.01</b>	<b>6054</b>	Spring Cap.....	<b>\$5.70</b>
<b>2210</b>	O-Ring (pkg 12).....	<b>\$3.01</b>	<b>6056</b>	Actuator Button.....	<b>\$6.50</b>
<b>6003</b>	Micro-Valve, 2-Way (for chip air).....	<b>\$10.70</b>	<b>6070</b>	Foot Control Cover.....	<b>\$25.40</b>
<b>6004</b>	Micro-Valve, 3-Way.....	<b>\$10.70</b>	<b>6093</b>	Chip Blower Button Assembly.....	<b>\$24.90</b>
<b>6022</b>	Spool.....	<b>\$2.07</b>	<b>6094</b>	Scaler Button Assembly.....	<b>\$25.40</b>
<b>6033</b>	Return Ring.....	<b>\$1.35</b>	<b>6095</b>	Spring Clip, Foot Control Tower.....	<b>\$0.42</b>
<b>6034</b>	Spring.....	<b>\$1.14</b>	<b>6096</b>	Stem w/ Retaining Ring.....	<b>\$8.30</b>
<b>6036</b>	Spring.....	<b>\$0.63</b>	<b>6098</b>	Stem w/ O-Rings.....	<b>\$2.49</b>
<b>6038</b>	Stem w/ O-Rings, 2-Way.....	<b>\$1.14</b>	<b>6132</b>	Wet/Dry Toggle Assembly.....	<b>\$25.40</b>
<b>6039</b>	Stem w/ O-Rings, 3-Way.....	<b>\$1.14</b>	<b>8070</b>	Bumper Pad (pkg of 28).....	<b>\$6.70</b>
<b>6042</b>	Spring.....	<b>\$1.66</b>	<b>9012</b>	Diaphragm (pkg of 10).....	<b>\$14.00</b>
<b>6046</b>	Foot Control Ring (gray).....	<b>\$9.60</b>	<b>9029</b>	Spring (pkg of 10).....	<b>\$6.80</b>
<b>6047</b>	Housing, No Holes (gray).....	<b>\$5.70</b>	<b>9602</b>	Retaining Ring.....	<b>\$0.21</b>
<b>6048</b>	Valve Tower.....	<b>\$3.83</b>	<b>9741</b>	Screw.....	<b>\$0.21</b>
<b>6049</b>	Toggle, Wet-Dry (gray).....	<b>\$3.11</b>	<b>9746</b>	Screw.....	<b>\$0.52</b>
<b>6052</b>	Housing, 1-Hole Toggle (gray).....	<b>\$5.70</b>	<b>9797</b>	Screw.....	<b>\$0.52</b>
<b>6053</b>	Housing, 2-Holes (gray).....	<b>\$5.70</b>	<b>9789</b>	Set Screw.....	<b>\$0.21</b>

# Regulators, Filters & Valves



146-148

Utility Centers  
& Components



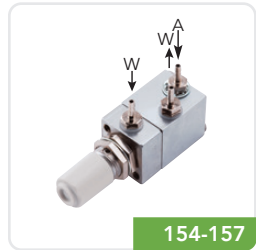
149-153

Regulators,  
Gauges & Filters



153

Water Security Systems



154-157

Combo & Pilot Valves



158

Handpiece &  
Syringe Blocks



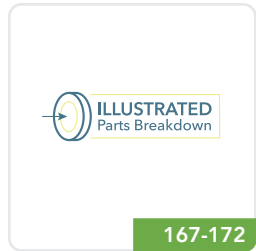
159-163

Toggle Valves



164-166

Mounting Brackets  
& Specialty Valves



167-172

Illustrated Parts  
Breakdown



**Trouble Shooting a Unit?** Find videos for diagnosing slow handpieces, combo valve & shut off block repair, needle valve & cartridge valve adjustment at the DCI Video Library!



## Asepsis Utility Center

**WHITE** | **GRAY**

<b>8329</b>	<b>8909</b>	Utility Center w/ Frame & Cover.....	<b>\$486.50</b>
<b>8314</b>	<b>8908</b>	Cover & Frame Only.....	<b>\$199.00</b>
<b>8316</b>	<b>8907</b>	Cover Only.....	<b>\$113.90</b>
<b>8327</b>		Utility Center, Less Frame & Cover.....	<b>\$310.50</b>

- Two manual shut-offs (7099)
- Accommodates up to 1 3/4" umbilicals
- Air and water regulators w/10-32 threads
- Mounts on floor or wall
- Cover dimensions are 14 1/2" x 14 3/4" x 5 1/16"
- One on/off toggle (7016)
- Two pressure gauges (7260)
- One dual master valve (7135)

## Standard Utility Center

**BLACK** | **GRAY**

<b>8320</b>	<b>8321</b>	Standard Utility Center w/ Housing & Cover.....	<b>\$397.50</b>
<b>8310</b>	<b>8312</b>	Utility Center Housing Only, w/ Cover.....	<b>\$85.60</b>
<b>8301</b>	<b>8203</b>	Replacement Cover for Utility Center.....	<b>\$19.10</b>
<b>8322</b>		Utility Center, Less Housing & Cover.....	<b>\$293.50</b>



- Mounts on floor or wall (plumbing template included)
- Slotted holes allow installation without disconnecting tubing
- Accommodates up to 1 3/4" umbilicals
- Two master shut-off valves w/ 1/2" MPT to 3/8" compression fittings (0904)
- Stainless steel housing 14"x 9"x 4 1/2"
- Two non-relieving regulators (7220)
- Two pressure gauges (7260)
- Two in-line filters (7250)
- Two manual shut-off valves (7099)

## Economy Utility Center

**BLACK** | **GRAY**

<b>8326</b>	<b>8324</b>	Economy Utility Center w/ Housing & Cover.....	<b>\$314.70</b>
<b>8310</b>	<b>8312</b>	Utility Center Housing Only, w/ Cover.....	<b>\$85.60</b>
<b>8301</b>	<b>8203</b>	Replacement Cover for Utility Center.....	<b>\$19.10</b>
<b>8323</b>		Economy Utility Center, Less Housing & Cover.....	<b>\$225.90</b>

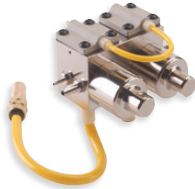


- Provides filtered, regulated air & water for assistant's unit
- Mounts on floor or wall (plumbing template included)
- Accommodates up to 1 3/4" umbilicals
- Two integrated master shut-off valves w/ regulator & filter (7212)
- Two manual shut-off valves (7099)
- 3-way on/off toggle valve (7016)
- Stainless steel housing 14" x 9" x 4 1/2"





Visit the DCI Video Library for a demonstration on repairing shut-off valves.



## Dual Master Shut-off Valves w/ Filters

PN 7135 Dual Master Shut-Off Valve Assembly w/ Filters..... **\$119.70**

- Provides shut-off for air & water
- One 1/4" barb fitting for air
- One 1/8" barb fitting for master control valve
- One 1/8" barb fitting for water
- 40 micron water & air filter
- 3/8" compression tube connection for air & water (0044)



## Dual Master Shut-off Valves

PAGE 172 ILLUSTRATED Parts Breakdown

PN 7125 Dual Master Shut-Off Valve Kit..... **\$116.30**  
 PN 7119 Master Shut-Off Valve (w/ double-barb cap)..... **\$43.50**  
 PN 7120 Master Shut-Off Valve (w/ single-barb cap)..... **\$43.50**  
 PN 7126 Replacement Diaphragm for 7119 & 7120..... **\$2.70**  
 PN 7311 Master Shut-Off Block Repair Kit..... **\$10.40**

- For remote or utility center installation
- Master shut-off valves feature: pilot-actuated shut-off, 1/8" FPT inlet, 1/4" poly outlet, 10-32 barbs w/sleeves to connect 1/8" O.D. tubing
- Kit (7125) includes: two master shut-off valves, (7119 & 7120) two 1/8" MPT by 3/8" copper compression fittings (0100), 3-way on/off toggle valve (7016), two 1/4" poly by 1/8" MPT fittings (0053)

### FEATURED

## Integrated Master Shut-off Valve / Regulator / Filter

PAGE 172 ILLUSTRATED Parts Breakdown



NEW

PN 7212 Integrated Shut-Off Valve..... **\$106.70**  
 PN 7289 Integrated Master Shut-Off Valve w/ 1" Gauge..... **\$122.50**  
 PN 7247 Filter Element, 40 Micron..... **\$2.90**  
 PN 7208 Regulator Only, 3 ports..... **\$30.50**  
 PN 7291 Original Style Cap Filter w/O-Ring, Gray..... **\$8.30**  
 PN 7311 Master Shut-off Block Repair Kit (for 7212)..... **\$10.40**

- Non-relieving regulator, piston type
- 150 PSI maximum for regulator
- 40 micron filter element
- Turn clockwise to increase pressure
- PN 7311 rebuild kit for PN 7212
- Integrated 3/8" compression tube to adapt to 7100 & 7099 manual shut-off valve
- PN 7212 includes 10-32 x 1/8" barb & washer



## Manual Shut-off Valves

PN 7100 Manual Shut-Off Valve 1/2" FPT Inlet..... **\$9.90**  
 PN 7099 Manual Shut-Off Valve 1/2" Nominal Compression..... **\$9.90**

- 1/2" nominal compression (7099)
- 1/2" FPT inlet (7100)
- 3/8" O.D. tube compression fitting outlet



## Non Relieving Regulator Kit



PN 7222	Non Relieving Regulator Kit.....	<b>\$78.70</b>
PN 7220	Regulator Only.....	<b>\$53.90</b>
PN 7223	Bracket & Nut.....	<b>\$35.20</b>

- Regulator (7220)
- In-line filter (7250)
- Round gauge (7260)
- Mounting bracket (7223)
- 1/4" poly x 1/8" MPT connector (0053)
- 1/8" MPT close nipple (0094)
- For use w/ air or water
- Maximum 125 PSI
- Turn clockwise to increase pressure

## Junction Box Valve Kit



PN 9118	Junction Box Valve Kit.....	<b>\$165.90</b>
---------	-----------------------------	-----------------

- Air & water Shut-Off w/ filter element
- 40 micron filter element
- Air pilot controlled
- Includes 3 Way on/off toggle valve
- 3/8" compression inlet

### FEATURED

## Shut Off Valve, Regulator & Filter

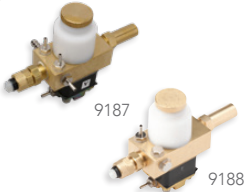


NEW  
ITEMS

PN 7287	Master Shut-Off Valve/Regulator/Filter for Air.....	<b>\$109.80</b>
PN 7288	Master Shut-Off Valve/Regulator/Filter for Water.....	<b>\$109.80</b>

- 7287: 125 PSI Maximum

## Shut Off Valve Assembly



PN 9187	Air Single Shut-Off Valve Assembly & Filter.....	<b>\$67.90</b>
PN 9188	Water Single Shut-Off Valve Assembly & Filter.....	<b>\$67.90</b>

- For air or water
- Includes 40 micron filter
- 3/8" compression tube connection

## Cuspidor/Cup Filler Time Delay Valve Assembly



PN 9275	Time Delay Valve.....	<b>\$78.90</b>
---------	-----------------------	----------------

- Controls length of time bowl or cup fill is activated
- 1/4" poly inlet & outlet

## Manual Air Shut-off Kit w/ Regulator



PN 7117	Manual Air Shut-off Kit w/ Regulator.....	<b>\$65.60</b>
---------	---	----------------

- Used on air only
- Includes shut-off valve, regulator, & in-line filter
- Turn clockwise to increase pressure





## Dentsply SPS Type Water Regulator

PN **7199** Dentsply SPS Type Water Regulator (Dentsply #80742).....**\$147.00**

- Fits Cavitron Jet w/ SPS Technology & Cavitron w/ SPS Technology



## Dentsply Water Regulator w/ Extended Stem

PN **7209** Dentsply Water Regulator w/ Extended Stem  
(Dentsply #79685).....**\$76.60**

- Fits Dentsply models w/ extended stem
- Includes 1/4" poly flow connector



## Dentsply™ Style Regulator

PN **7094** Regulator, (Dentsply #60407).....**\$57.00**

- Includes 1/4 x 10-32 poly connector (0054)
- To fit the following units: Cavitron® 3000 & 2002, Prophy-Jet® 30, Cavi-Jet® 30, Cavi-Endo® 25, Cavi-Med



## Mini Fixed Regulator

PN **9155** Mini Regulator, 35 PSI Fixed.....**\$22.80**

- Non relieving
- Air or water
- 1/16" barb fitting
- 120 PSI max input



7203

## Mini Regulators

PN **7203** 10-32 Input, Non-Relieving.....**\$27.50**

PN **7204** 1/8" NPT Input, Non-Relieving.....**\$29.50**

PN **7205** 10-32 Input, Self-Relieving (for air only).....**\$27.50**

PN **7206** 1/8" NPT Input, Self-Relieving.....**\$29.50**

- 150 PSI maximum
- Piston type
- Non- or self-relieving
- Mounting hardware 15/32-32 thread w/ nut
- Water or air
- Turn clockwise to increase pressure

## Air Filter Regulator (Brass)



PN 7225	Air Filter Regulator.....	\$155.30
PN 7254	Filter Element, 5 Micron w/ Bowl Seal.....	\$29.30
PN 7252	Moisture Separator Bowl.....	\$62.10
PN 7223	Mounting Bracket & Nut.....	\$35.20

- 1/8" FPT ports
- Quick removal threaded bowl
- Self-relieving
- Filter w/ 5 micron element
- Corrosion resistant construction
- Diaphragm operated
- Must be mounted in vertical position
- Turn clockwise to increase pressure

## Air Filter Regulator (Coated Aluminum)



PN 7241	Air Filter Regulator.....	\$176.00
PN 7238	Moisture Separator Bowl.....	\$51.80
PN 7242	Filter Element, 40 Micron Green Threads.....	\$41.40
PN 2239	Bowl Seal (pkg of 12).....	\$3.01
PN 7223	Mounting Bracket & Nut.....	\$35.20

- 1/8" FPT ports
- Quick removal threaded bowl
- Filter w/ 40 micron element
- Diaphragm operated
- Self-relieving
- Must be mounted in vertical position
- Turn clockwise to increase pressure

## Pressure Gauge Rectangular



PN 7270	Rectangular Air Gauge.....	\$32.70
---------	----------------------------	---------

- 0-60 PSI reading
- For air only
- 1/2" H x 1 3/4" W





7274

## Mini Pressure Gauges 1 "

PN **7274** 0-60 PSI..... **\$15.90**

PN **7279** 0-100 PSI..... **\$15.90**

- 1" face
- 1/8" NPT / 10-32 Female



## Pressure Gauge 1 1/2" Face

PN **7265** Panel Mount Pressure Gauge..... **\$17.60**

- 0-100 PSI pressure reading
- Panel-mount bracket requires 1 5/8" hole
- 1 1/2" diameter
- 10-32 I.D. thread rear, 1/8" MPT thread
- For air or water



## Pressure Gauge 1 1/2" Face

PN **7281** Bottom Mounted Pressure Gauge..... **\$15.60**

- 0-100 PSI pressure reading
- 1 1/2" diameter
- 1/8" MPT thread
- For air or water



## Pressure Gauge 1 1/2" Face

PN **7260** Rear Mounted Pressure Gauge..... **\$14.20**

- 0-160 PSI pressure reading
- For air or water
- 1 1/2" diameter
- 1/8" MPT thread / 10-32 Female



### Pressure Gauge 1 1/2" Face

PN 7290 Bottom Mounted Pressure Gauge.....\$14.50

- 0-160 PSI pressure reading



2826

### Pressure Gauges 2" Face

PN 2826 Economy.....\$19.70

PN 2856 Liquid Filled.....\$49.70

- 2" dial face
- 0-160 PSI
- 1/4" MPT Center back connection



7268

### Vacuum Gauge

PN 7268 Vacuum Gauge, bottom mount.....\$21.80

- 1/4" NPT Bottom connection
- 0-30" hg



7246

7247

7291

### Air or Water Filter

PN 7246 Air/Water Filter.....\$49.00

PN 7291 Cap Filter w/O-Ring, Gray.....\$8.30

PN 7247 Element (ea.).....\$2.90

PN 7248 Element (pkg of 6).....\$11.60

- 1/8" FPT ports
- 40 micron replaceable element



7250

7282

### In-Line Filters 1/8" FPT or 10-32 Port

PN 7250 In-Line Filter, 1/8" FPT.....\$18.70

PN 7251 In-Line Filter, 10-32 Port.....\$18.70

PN 2215 O-Ring (pkg of 12).....\$3.01

PN 7253 Bronze Filter Disc (pkg of 2).....\$3.11

PN 7282 Stainless Filter Disc (pkg of 2).....\$24.90

- 35 micron filtration
- Air or water
- 1" diameter x 1" long

PAGE 171  ILLUSTRATED Parts Breakdown



**FEATURED**

### Water Security Systems



PN 2396	3/4" System, PEX, w/ Filter & 24 Volt Relay .....	<b>\$1,014.30</b>
PN 2395	1" System w/ Filter & 24 Volt Relay.....	<b>\$1,345.50</b>



2396

- Filters incoming water supply & shuts off water from control panel
- Remote shut off of all water supply to dental equipment to prevent accidental water damage
- Allows servicing without disruption to the dental practice
- 20 Micron Filter



2051

### Water Filter Replacement Cartridge

PN 2051	Water Filter 2 1/2" x 10" (pkg of 2).....	<b>\$42.70</b>
PN 2076	Water Filter 4 1/2" x 10" (pkg of 2).....	<b>\$85.30</b>

- Fits most standard housings
- Pleated design captures more debris
- 20 Micron Filter
- PN 2051 fits 3/4" systems
- PN 2076 fits 1", 1 1/4" & 1 1/2" systems



7239

### Air Filter / Moisture Separator

PN 7239	Air Filter Moisture Separator, 5 Micron Filter 7236.....	<b>\$62.10</b>
PN 7238	Moisture Separator Bowl.....	<b>\$51.80</b>
PN 7236	Filter Element, 5 Micron, Black Threads.....	<b>\$29.00</b>
PN 2239	Bowl O-Ring, (pkg of 12).....	<b>\$3.01</b>

- 1/8" FPT ports
- Quick removal threaded bowl



7234

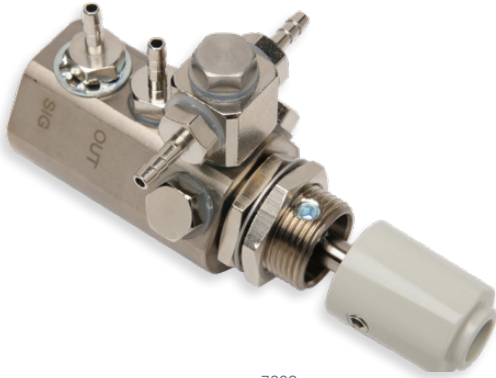


7283

### Disposable Inline Filter

PN 7234	Inline Filter 74 Micron Filtration, 1/4" Barbs.....	<b>\$13.50</b>
PN 7283	Inline Filter 43 Micron Filtration, 1/8" Barbs.....	<b>\$16.60</b>

- For use w/ air or water
- Nylon construction



7302

## Water Relay & Flow Control Combo Valves

**DCI Water Relay & Flow Control Combo Valves** are a new design that no longer require a one-way barb. They are non-retracting and feature a smoother and quicker activation.

### FEATURED

## Water Relay & Flow Control Combo Valves

<div style="background-color: #004a7c; color: white; border-radius: 50%; padding: 5px; display: inline-block;">NEW ITEMS</div>	PN 7139	Water Relay w/ Flow Control.....	\$52.70
	PN 7068	Water Relay, non-retracting.....	\$36.50
	PN 7302	Water Relay w/ Double Barb Swivel.....	\$52.70
	PN 7309	New Style, Repair Kit for 7139 Valve.....	\$9.40
	PN 7133	Old Style, Repair kit for 7130 Valve.....	\$9.60

- Non retraction type
- Combination pilot valve & needle valve
- 10-32 side ports
- Low Activation Pressure of 25 PSI
- Used on DCI Edge Series 4 and Series 5 units
- Precision Flow Control





**Non-Retracting**

Eliminates the possibility that water can backflow into the unit, meeting ADA requirements to prevent cross-contamination.

**No Longer Requires One-Way Barb**

Expand your options with combo valves that no longer use a one-way barb.

**Smoother and Quicker Activation**

Smooth, quick activation assures instant on/off without drips or run on.



**Water Relay & Flow Control Combo Valves to Fit Midmark Units**

PN **7187** Midmark Combo Valve (Midmark #029-3411-00).....**\$48.60**

- Water relay valve with flow control
- Replacement for most newer Midmark Dental Units
- 35 PSI activation pressure
- Signal relay foot control required

PN **7185** Flow Control Knob, Blue (Midmark #053-1165-01).....**\$3.59**

PN **7186** Flow Control Knob, Surf (Midmark #053-1165-00).....**\$3.52**

- 1/4" Brass insert shaft
- Smooth type knob

### FEATURED

### Water Relay Retracting

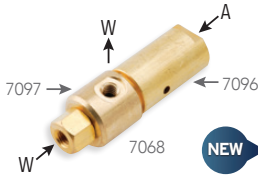
NEW ITEMS



PN 7350	Water Relay, Standard.....	\$20.60
	• Activates at 20 PSI	
PN 7351	Water Relay, Mini.....	\$19.20
	• Activates at 35 PSI	
PN 7352	Water Relay, Compact.....	\$19.70
	• Activates at 30 PSI	• Normally Closed
PN 2934	Quick Exhaust Valve.....	\$21.40
	• 10-32 ports to adapt to water relays	
	• Relieves air pressure immediately upon release	

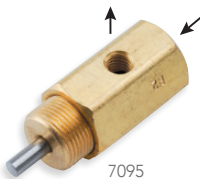
### FEATURED

### Water Relay Non-Retracting



NEW

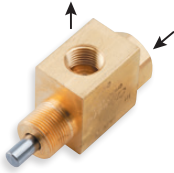
PN 7068	Water Relay w/ Actuator.....	\$36.50
PN 7096	Actuator Only.....	\$18.90
PN 7097	Water Relay Only.....	\$10.60
	• Activates at 20 PSI	• 10-32 ports
	• Normally closed	• 1/16" barbs & washers



### Pilot Actuated Relay Valves

PN 7095	Normally Open.....	\$24.50
PN 7097	Normally Closed.....	\$20.70
	• Requires actuator 7096	• 2-way (non-relieving)
	• 10-32 ports	• For air or water





### Pilot Actuated Valve

PN 7073 Pilot-Actuated Valve..... **\$57.50**

- Requires actuator 7096
- Normally closed
- 1/8" FPT ports
- 2-way (non-relieving)
- For air or water



### Air Pilot Valves

PN 7070 2-Way w/o Exhaust Normally Closed (for air & water)..... **\$23.40**

PN 7071 2-Way w/o Exhaust Normally Open (for air & water)..... **\$23.40**

PN 7075 3-Way w/ Exhaust Normally Closed (for air only)..... **\$23.40**

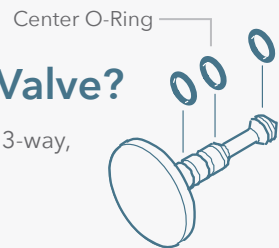
- Barb fitting for 1/8" O.D. tubing
- Air actuated on/off control
- Requires 25 PSI
- Panel-mount 15/32-32 thread w/ nut



### TECH TIP

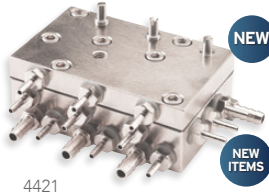
## Do you need a 2-Way or 3-Way Valve?

When in doubt get a 2-way. If it turns out you need a 3-way, simply remove the center O-Ring on the stem!



### FEATURED

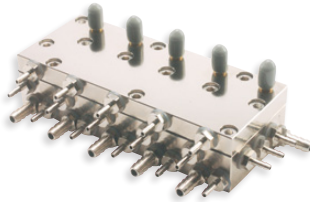
### Handpiece Block Single-Piece Assembly



NEW

NEW ITEMS

PN 4380	Twin-Block w/ Long Adjustment Screws.....	\$84.50
PN 4382	Twin-Block w/ Std. Adjustment Screws.....	\$84.50
PN 4421	Tri-Block w/ Std. Adjustment Screws.....	\$95.10
PN 4435	Tri-Block w/ Long Adjustment Screws.....	\$69.90
	• Used on DCI Edge Series 4/5 Delivery Systems	
PN 4425	Quad-Block w/ Std. Adjustment Screws.....	\$132.00
PN 4438	Quad Block w/ Long Adjustment Screws.....	\$134.60
	• Used on DCI Edge Series 4/5 Delivery Systems	
PN 4428	Quad-Block, Series 5.....	\$129.40
PN 4427	Quin-Block w/ Std. Adjustment Screws.....	\$221.70
PN 4432	Drive Air Adjusting Screw.....	\$6.10
PN 4426	Mounting Bracket.....	\$20.70



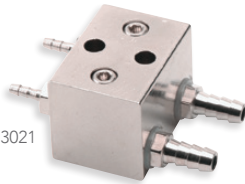
- Works with normally closed automatic handpiece holders
- Consistent flow control for handpiece pressure adjustments
- Higher output due to improved airflow
- Longer lasting diaphragm
- No internal cross-over of air or water
- Twin-Block dimensions, 1 1/2" x 1 1/2" x 1"
- Tri-Block dimensions, 2 3/8" x 1 1/2" x 1"
- Quad-Block dimensions, 3 1/8" x 1 1/2" x 1"
- Quin-Block dimensions, 3 3/4" x 1 1/2" x 1"



### Manual Handpiece Control Block

PN 4093	Control Block.....	\$25.20
---------	--------------------	---------

- Allen adjusting screws for air & water
- 10-32 Barbs for 1/8" and 1/4" O.D. tubing
- Mounting hardware



### Flow Control Connector Block

PN 3021	Syringe Block.....	\$19.60
PN 2110	Flow Adjusting Screw.....	\$2.39

- For use on DCI 4102 & other manual handpiece control systems
- Includes all barb fittings
- Handpiece pressure adjustment

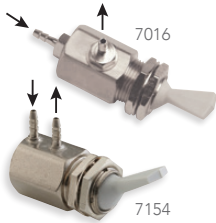


### Handpiece Muffler & Oil Collector

PN 7321	Muffler.....	\$29.60
---------	--------------	---------

- Can be mounted through frame for removal from outside control head
- Will handle up to four handpieces
- Compact size to fit inside control head
- Minimum back pressure
- Filter media is standard cotton swab material





### Toggle On/Off Valve, Hex Body

**BLACK** | **GRAY**

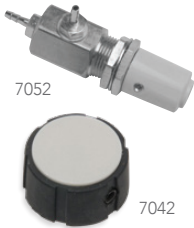
7010	7012	2-Way Valve.....	\$14.10
7015	7016	3-Way Valve.....	\$14.10
	7154	3-Way Valve, Side Ported.....	\$22.90

PAGES  
**167**  
**168**

ILLUSTRATED  
Parts Breakdown

- Panel-mounting 15/32-32 thread w/ nut
- 2-way for air or water; 3-way for air only

### FEATURED



### Needle Valve, Hex Body

**BLACK** | **GRAY**

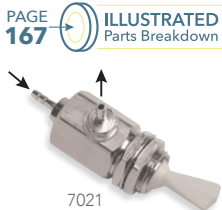
7050	7052	Needle Valve.....	\$16.60
7197		Needle Valve w/ Large Knob.....	\$19.90
7059	7069	Knob.....	\$3.11
7042		Large Knob.....	\$3.32
	7017	Side Port Needle Valve.....	\$16.60
	7054	Side Port Needle Valve, Fine Adjustment.....	\$16.60

PAGE  
**170**

ILLUSTRATED  
Parts Breakdown

- Fine flow control adjustment for air or water
- Panel-mounting 15/32-32 thread w/ nut
- Includes 1/16" hex allen wrench

### FEATURED



### Toggle Momentary Valve, Hex Body

**BLACK** | **GRAY** | **GRAY/SIDE-PORT**

7020	7021		2-Way Valve N.C.....	\$14.50
7025	7026		3-Way Valve N.C.....	\$14.50
	7027	7157	3-Way Valve N.O.....	\$17.50
		7013	3-Way Valve N.C.....	\$22.60

PAGE **167** ILLUSTRATED  
Parts Breakdown

NEW  
ITEMS

- Panel-mounting 15/32-32 thread w/ nut
- 2-way for air or water; 3-way for air only

### FEATURED



### Toggle Routing, Selector, Valve Hex Body

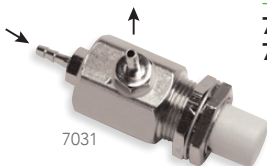
**BLACK** | **GRAY**

7000	7001	Routing Valve.....	\$17.60
	7176	Routing Valve w/ 1/16" Barbs.....	\$19.70

PAGE **167** ILLUSTRATED  
Parts Breakdown

- Toggle on/off for routing
  - Panel-mounting 15/32-32 thread w/ nut
  - For air or water
- 1 input & 2 output, or  
2 input & 1 output**

PAGE **168** ILLUSTRATED  
Parts Breakdown



### Push Button Momentary Valve, Hex Body

**BLACK** | **GRAY**

7030	7031	2-Way, N.C.....	\$18.50
7035	7037	3-Way, N.C.....	\$18.50
	7036	3-Way, N.O.....	\$19.70

- Positive on/off control
- Panel-mounting 15/32-32 thread w/ nut
- 2-way for air or water; 3-way for air only



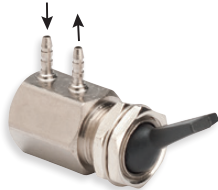
7055

## Flow Control Valve, Hex Body

**BLACK** | **GRAY**

<b>7055</b>	<b>7056</b>	Pinch Valve.....	<b>\$16.60</b>
<b>7059</b>	<b>7069</b>	Knob.....	<b>\$3.11</b>

- Variable restriction for air & water
- Pinch valve
- Accommodates 1/8" or 1/4" O.D. tubing



7040

## Toggle On/Off Valve Hex Body, Side Port

**BLACK** | **GRAY**

PAGE 169 ILLUSTRATED Parts Breakdown

<b>7040</b>	<b>7152</b>	2-Way Valve.....	<b>\$22.90</b>
<b>7045</b>	<b>7154</b>	3-Way Valve.....	<b>\$22.90</b>

- Panel-mounting 15/32-32 thread w/ nut
- 2-way for air or water; 3-way for air only
- Port barb for 1/8" O.D. tubing

### FEATURED



7156

## Toggle Valve Side Port, Round Body

**BLACK** | **GRAY**

PAGE 168 ILLUSTRATED Parts Breakdown

<b>7155</b>	<b>7156</b>	3-Way Valve, On/Off.....	<b>\$22.80</b>
<b>NEW</b>	<b>7158</b>	2-Way Valve, N.C., Momentary.....	<b>\$20.50</b>

- Port barb for 1/8" O.D. tubing
- Round body
- 3-way for air only
- Panel-mounting 15/32-32 thread w/ nut

PAGE 169 ILLUSTRATED Parts Breakdown



7151

## Toggle Routing, Selector Valve Round Body

**BLACK** | **GRAY**

<b>7150</b>	<b>7151</b>	Selector Valve.....	<b>\$51.80</b>
-------------	-------------	---------------------	----------------

- Panel mounting 15/32-32 thread w/ nut
- Routes signal air
- Port barb for 1/8" O.D. tubing
- Exhausting valve, for air only

PAGE 170 ILLUSTRATED Parts Breakdown



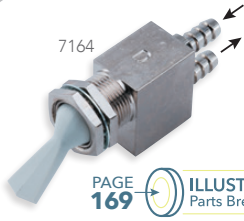
7166

## Momentary Cup Filler Valve, Round Body

**BLACK** | **GRAY**

<b>7167</b>	<b>7166</b>	Cuspidor Valve.....	<b>\$23.90</b>
-------------	-------------	---------------------	----------------

- Threaded hex fitting for flow
- 2-way (non-exhausting) for water
- Positive on/off control
- Panel-mounting 15/32-32 thread w/ nut



### Toggle On/Off "Rear Ported" Valves

BLACK | GRAY

7163	7164	2-Way Valve for air or water.....	\$27.00
7160	7161	3-Way Valve for air only.....	\$27.00

PAGE 169 ILLUSTRATED Parts Breakdown

- Positive on/off control
- Panel-mounting 15/32-32 thread w/ nut



### Toggle Momentary On/Off "Rear Ported"

BLACK | GRAY

7168	7169	2-Way Valve for air or water.....	\$27.30
------	------	-----------------------------------	---------

- Rear ported valve
- Panel-mounting 15/32-32 thread w/ nut

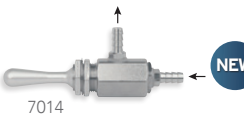


### Replacement Toggles

BLACK | GRAY

7038	7039	Momentary Toggle w/ Pin.....	\$3.11
7123	7124	On/Off Toggle w/ Pin.....	\$3.11

## FEATURED



NEW

### Extended Handle Toggle Valves (Aluminum)

PN 7014	2-way Valve.....	\$51.80
PN 7009	3-way Valve.....	\$51.80
PN 7024	Aluminum Toggle Only.....	\$5.20

- Extended Handle
- Momentary action
- 2 & 3-way configurations used on cup fillers & cuspidors



### Air On/Off Indicators

PN 7285	Green.....	\$18.20
PN 7280	Red.....	\$18.20

- 10-32 Port with barbs for 1/8" O.D. tubing
- 25-120 PSI
- Panel-mount



### Automatic Handpiece Holder Valves

PN 5947	Normally Open Side Port.....	\$11.30
PN 5948	Normally Closed Side Port.....	\$11.30
PN 5989	Normally Open Rear Port.....	\$12.00
PN 5983	Normally Closed Rear Port.....	\$12.20

- 5948 normally closed is used for 5940, 5960 & 4592 handpiece holders
- 5983 normally closed is used for 4561
- 5947 normally open is used for positive air signal

## DCI Cartridge Valves

A quick turn of the cartridge allows for simple removal and another quick turn with the replacement cartridge gets you back up and running. It's as simple as that.

- Removable cartridge insert
- Direct replacement for most OEM valves
- Color coded cartridge for easy identification
- Increased flow
- Quick & simple 60 degree turn to remove or insert



↑ Insert cartridge into the valve

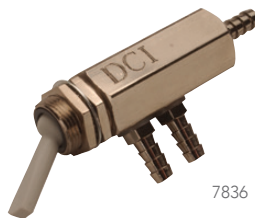


60° Turn 60 degrees to replace insert

### FEATURED

VALVE PN	CART #	COLOR		
7800		Brown	Valve, Toggle (Black), 2-Way, On-Off, N.C.	\$16.20
	7900	Brown	Cartridge Replacement, Toggle (Black), 2-Way, On-Off, N.C.	\$13.10
7801		Brown	Valve, Toggle (Gray), 3-Way, On-Off, N.C.	\$16.20
	7901	Brown	Cartridge Replacement, Toggle (Gray), 3-Way, On-Off, N.C.	\$13.10
7802		Blue	Valve, Toggle (Black), 2-Way, On-Off, N.C.	\$16.20
	7902	Blue	Cartridge Replacement, Toggle (Black), 2-Way, On-Off, N.C.	\$13.10
7803		Blue	Valve, Toggle (Gray), 3-Way, On-Off, N.C.	\$16.20
	7903	Blue	Cartridge Replacement, Toggle (Gray), 3-Way, On-Off, N.C.	\$13.10
7810		Brown	Valve, Toggle (Black), 2-Way, Momentary, N.C.	\$17.90
	7910	Brown	Cartridge Replacement, Toggle (Black), 2-Way, Momentary, N.C.	\$14.70
7811		Brown	Valve, Toggle (Gray), 2-Way, Momentary, N.C.	\$17.90
	7911	Brown	Cartridge Replacement, Toggle (Gray), 2-Way, Momentary, N.C.	\$14.70
7812		Blue	Valve, Toggle (Black), 3-Way, Momentary, N.C.	\$17.90
	7912	Blue	Cartridge Replacement, Toggle (Black), 3-Way, Momentary, N.C.	\$14.70
7813		Blue	Valve, Toggle (Gray), 3-Way, Momentary, N.C.	\$17.90
	7913	Blue	Cartridge Replacement, Toggle (Gray), 3-Way, Momentary, N.C.	\$14.70
7817		Green	Valve, Toggle (Gray), 3-Way, Momentary, N.O.	\$17.90
	7917	Green	Cartridge Replacement, Toggle (Gray), 3-Way, Momentary, N.O.	\$14.70
7821		Brown	Valve, Push Button (Gray), 2-Way, Momentary, N.C.	\$21.70
	7921	Brown	Replacement Cartridge, Push Button (Gray), 2-Way, Momentary, N.C.	\$18.60

VALVE PN	CART #	COLOR		
7823		Blue	Valve, Push Button (Gray), 3-Way, Momentary, N.C.	\$21.70
	7923	Blue	Replacement Cartridge, Push Button (Gray), 3-Way, Momentary, N.C.	\$18.60
7827		Green	Valve, Push Button (Gray), 3-Way, Momentary, N.O.	\$21.70
	7927	Green	Replacement Cartridge, Push Button (Gray), 3-Way, Momentary, N.O.	\$18.60
7831		Blue	Valve, Roller (SST), 3-Way, Momentary, N.C.	\$18.90
	7931	Blue	Replacement Cartridge, Roller (SST), 3-Way, Momentary, N.C.	\$15.80
7835		Red	Valve, Routing, Toggle (Black), On/Off, Side & Rear Ported	\$24.80
	7935	Red	Replacement Cartridge, Routing, Toggle (Black), On/Off, Side & Rear Ported	\$21.70
7836		Red	Valve, Routing, Toggle (Gray), On/Off, Side & Rear Ported	\$24.80
7842		Red	Valve, Routing, Toggle (Black), On/Off	\$23.30
7843		Red	Valve, Routing, Toggle (Gray), On/Off	\$23.30
	7936	Red	Replacement Cartridge, Routing, Toggle (Gray), On/Off, Side & Rear Ported • Replacement for 7836, 7842, and 7843	\$21.70
7845		Brown	Valve, Toggle (Black), Side Ported, 2-Way, On-Off, N.C.	\$22.20
	7945	Brown	Replacement Cartridge, Toggle (Black), Side Ported, 2-Way, On-Off, N.C.	\$19.10
7847		Blue	Valve, Toggle (Black), Side Ported, 3-Way, On-Off, N.C.	\$22.20
	7947	Blue	Replacement Cartridge, Toggle (Black), Side Ported, 3-Way, On-Off, N.C.	\$19.10
<b>NEW</b> 7850		Blue	Valve, Toggle (Gray), 2-Way, Momentary, N.C., Side-Ported	\$22.20
	<b>NEW</b> 7950	Blue	Replacement Cartridge, Toggle (Gray), 2-Way, Momentary, N.C., Side-Ported	\$19.10
7851		Blue	Valve, Toggle (Gray), Side Ported, 3-Way, Momentary, N.C.	\$22.20
	7951	Blue	Replacement Cartridge, Toggle (Gray), Side Ported, 3-Way, Momentary, N.C.	\$19.10
7852		Blue	Valve, Toggle (Gray), Side Ported, 3-Way, Momentary, N.O.	\$22.20
	7917	Green	Cartridge Replacement, Toggle (Gray), 3-Way, Momentary, N.O.	\$14.70





6569

### Air & Water Auxiliary Q.D. Panels

GRAY	WHITE		
6559	6569	Auxiliary Panel.....	\$190.00

- 1/4" Water quick connect w/ flow control
- Available in white or gray
- 3/8" Air quick connect w/ on/off switch
- Dimensions 3" x 4"



7078

### Valve / Switch / Q.D. Mounting Brackets

PN 7078	Single Mount, L: 1.5" H: 7/8" W: 3/4".....	\$7.20
PN 7079	Dual Mount, 3" H: 7/8" W: 3/4".....	\$9.40
PN 7114	Triple Mount, L: 3" H: 7/8" W: 3/4".....	\$20.70

- 1/2" I.D. mounting holes
- White powder coat finish
- Mounts toggles, indicators, Q.D.'s & air electric switches



### 3/4" & 1/2" I.D. Mounting Bracket

PN 7113	Q.D. Mounting Bracket, L: 3" H: 7/8" W: 3/4".....	\$18.70
---------	---	---------

- One 1/2" mounting hole
- One 3/4" mounting hole
- White powder coat finish



7080

### Air Actuated Switches

PN 7080	25 PSI Normally Open.....	\$27.50
PN 7087	25 PSI Normally Closed.....	\$27.50
PN 7084	10 PSI Normally Open.....	\$25.40
PN 7089	10 PSI Normally Closed.....	\$25.40

- 7080 & 7087 activated at 25 PSI, 5 A
- 7084 & 7089 activated at 10 PSI, 1 A
- 15/32-32 thread w/ nut
- On/off control of up to 120v, 5 amp
- 125 PSI max





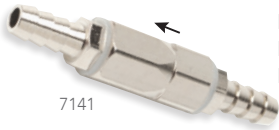


7090

## Shuttle Valves

PN 7090	1/8" Shuttle Valve.....	\$13.10
PN 7092	1/4" Shuttle Valve.....	\$13.60

- For routing two different flows through one output
- For 1/8" & 1/4" tubing



7141

## Miniature Inline Check Valves

PN 7085	1/8" FPT.....	\$21.80
PN 7140	Check Valve w/Ball, 1/16" Barb.....	\$10.30
PN 7141	Check Valve w/Ball, 1/8" Barb.....	\$10.30

- For use w/ non-retraction water systems



## Flow Restrictor

PN 7022	Flow Restrictor.....	\$4.14
---------	----------------------	--------

- Variable control for air & water
- For 1/8" O.D. or 1/4" O.D. tubing



2151

## Ball Valves

PN 2151	Ball Valve, 1/4" FPT.....	\$35.80
PN 2152	Ball Valve 1/2" FPT.....	\$35.80
PN 2150	Ball Valve 3/8" FPT.....	\$41.40
PN 2159	Ball Valve 3/4" FPT.....	\$41.40
PN 2160	Ball Valve 1" FPT.....	\$51.80

- For use w/ water, oil or gas (WOG)
- 29" Hg to 600 PSI rated

### Cavitron Water Solenoid Valve Assembly



PN **9404** Cavitron Water Solenoid Valve Assembly (Dentsply #776030250)..... **\$153.20**

- 24 Volt
- 1/8" FPT

### Dentsply SPS Style Water Solenoid Valve



PN **2939** Dentsply SPS Style Water Solenoid Valve (Dentsply #571070003)..... **\$144.90**

- Fits Dentsply Cavitron SPS w/ SPS Technology & Cavitron Jet w/ SPS Technology
- 24 Volt DC
- Two 1/8" FPT ports

### Water Solenoid Valves



PN **2830** 24 Volt AC..... **\$157.40**  
 PN **2831** 115 Volt AC..... **\$157.40**  
 PN **2832** 230 Volt AC..... **\$157.40**

- 2-way normally closed
- 1/8" NPT
- 24 / 115 / 230 Volt AC
- Conduit hub mount
- 1/32" Orifice

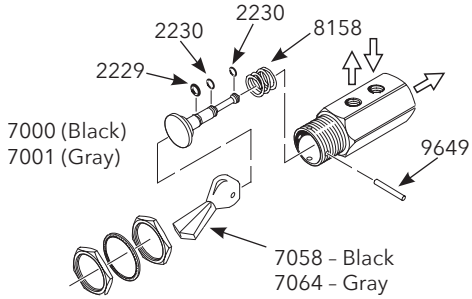
### Water Solenoid Valves



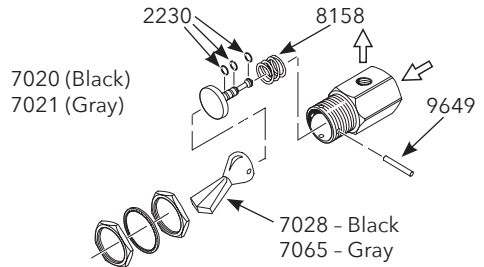
PN **2827** 24 Volt AC..... **\$138.60**  
 PN **2828** 115 Volt AC..... **\$138.60**  
 PN **2829** 230 Volt AC..... **\$138.60**

- 2-way normally closed
- 1/8" NPT
- 1/16" orifice
- 24 / 115 / 230 Volt AC
- 12" leads / no conduit hub mount

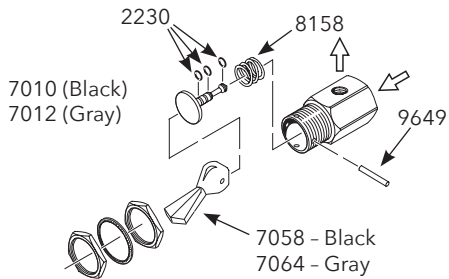
### Routing Valve



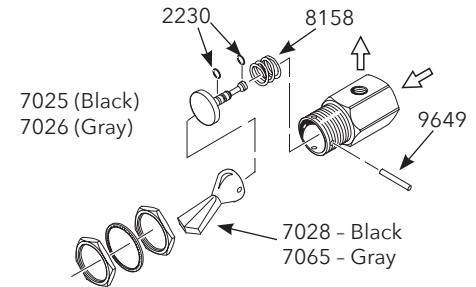
### Toggle Valve, 2-Way Momentary



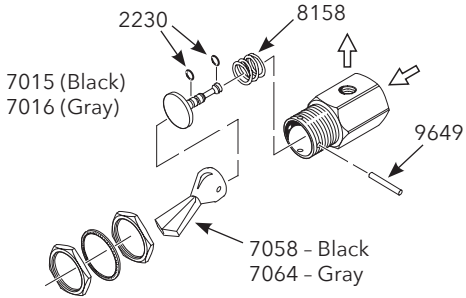
### Toggle Valve, 2-Way



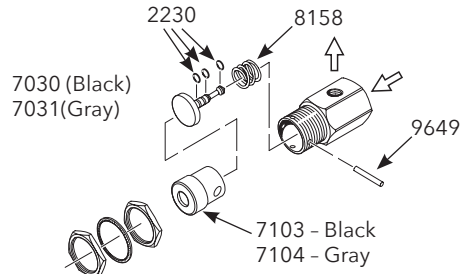
### Toggle Valve, 3-Way Momentary



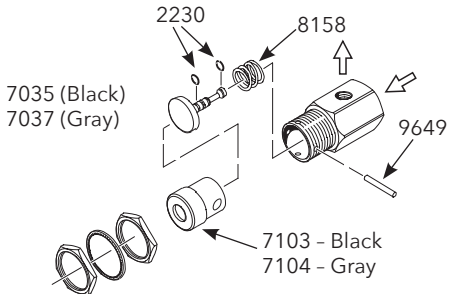
### Toggle Valve, 3-Way



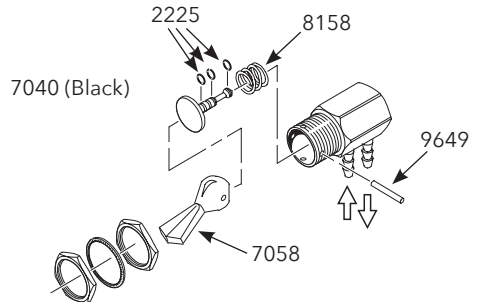
### Push-Button Valve, 2-Way



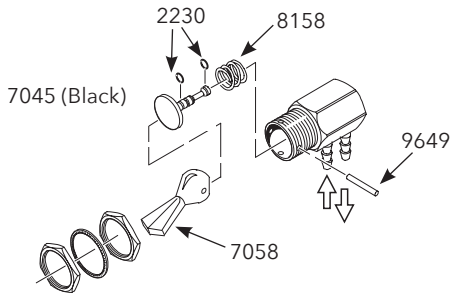
### Push-Button Valve, 3-Way



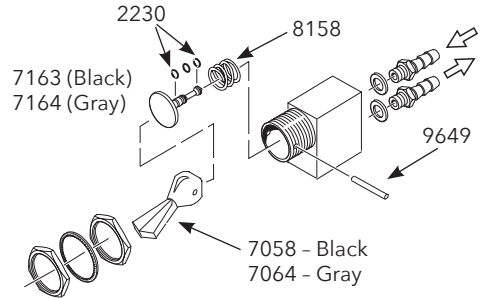
### Toggle Valve, 2-Way



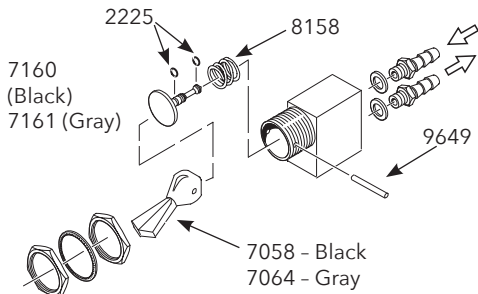
### Toggle Valve, 3-Way



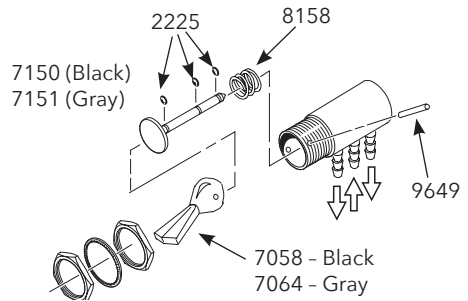
### Toggle Valve, 2-Way



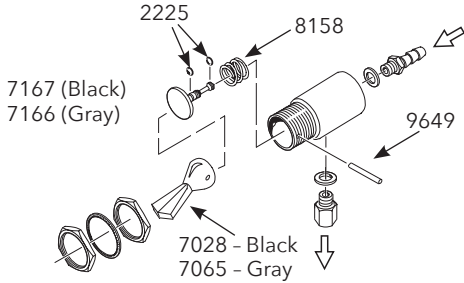
### Toggle Valve, 3-Way



### Routing Valve



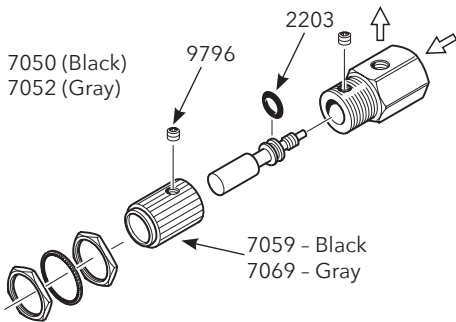
### Toggle Valve, 3-Way Momentary



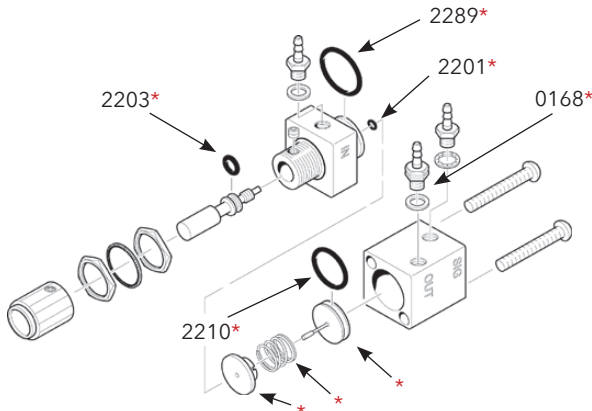
### Toggles, Valves & Regulators Illustrated Parts Breakdown Price List

<b>2201</b>	O-Ring (pkg of 12).....	<b>\$3.01</b>
<b>2203</b>	O-Ring (pkg of 12).....	<b>\$3.01</b>
<b>2205</b>	O-Ring (pkg of 12).....	<b>\$3.01</b>
<b>2218</b>	O-Ring (pkg of 12).....	<b>\$3.01</b>
<b>2225</b>	O-Ring (pkg of 12).....	<b>\$3.01</b>
<b>2233</b>	O-Ring (pkg of 12).....	<b>\$3.01</b>
<b>2238</b>	O-Ring (pkg of 12).....	<b>\$3.01</b>
<b>6037</b>	Spring, Stainless Steel.....	<b>\$1.56</b>
<b>7028</b>	Toggle, Momentary (black).....	<b>\$1.56</b>
<b>7058</b>	Toggle, Detented (black).....	<b>\$1.66</b>
<b>7059</b>	Knob (black).....	<b>\$3.11</b>
<b>7064</b>	Toggle, Detented (gray).....	<b>\$1.66</b>
<b>7065</b>	Toggle, Momentary (gray).....	<b>\$1.66</b>
<b>7069</b>	Knob (gray).....	<b>\$3.11</b>
<b>7103</b>	Push Button (black).....	<b>\$2.18</b>
<b>7104</b>	Push Button (gray).....	<b>\$2.18</b>
<b>8158</b>	Spring, Compression.....	<b>\$.52</b>
<b>9649</b>	Pin.....	<b>\$.52</b>
<b>9796</b>	Set Screw.....	<b>\$.83</b>

### Needle Valve



### Water Relay & Flow Control Combo Valve 7130



<b>2201</b>	O-Ring (pkg of 12).....	<b>\$3.01</b>
<b>2203</b>	O-Ring (pkg of 12).....	<b>\$3.01</b>
<b>2210</b>	O-Ring (pkg of 12).....	<b>\$3.01</b>
<b>2289</b>	O-Ring (pkg of 12).....	<b>\$3.01</b>
<b>0168</b>	Duck Bill Barb.....	<b>\$5.70</b>

Water Relay & Flow  
Control Combo Valve

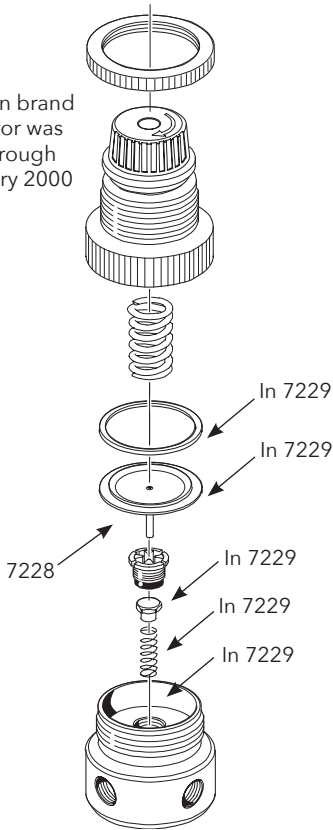
Repair Kits include items designated  
by an asterisk

<b>7133</b>	Repair Kit.....	<b>\$9.60</b>
-------------	-----------------	---------------



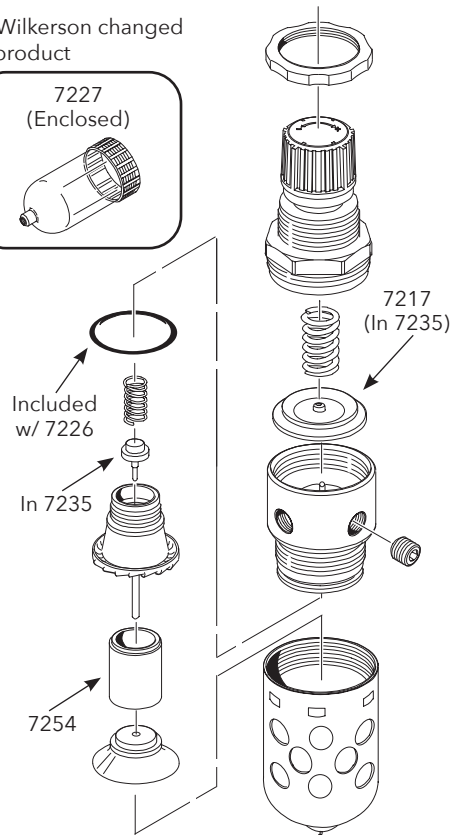
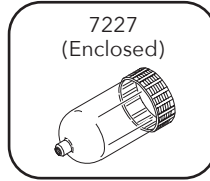
### Norgren Style Regulator Parts

- Norgren brand regulator was sold through February 2000



### Wilkerson Style Air Filter Regulator Parts

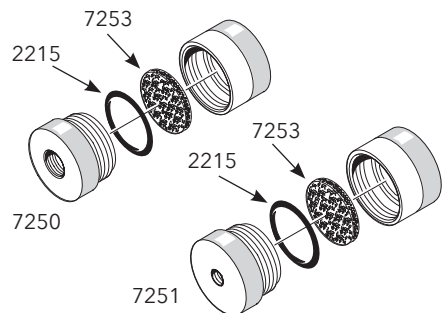
- Wilkerson changed product



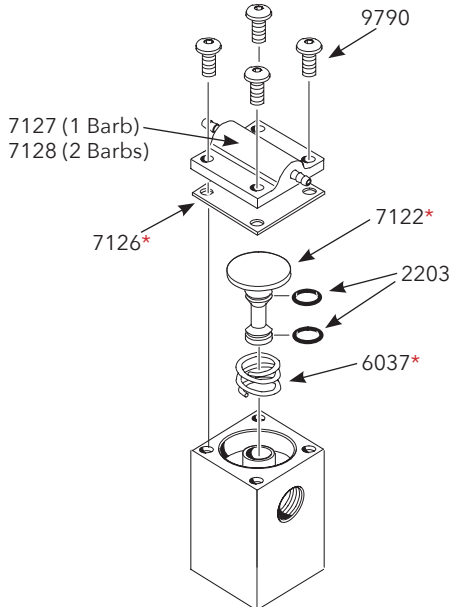
### Norgren/Wilkerson Regulators Illustrated Parts Breakdown Price List

<b>2215</b>	O-Ring (pkg of 12).....	<b>\$3.01</b>
<b>7217</b>	Diaphragm for Wilkerson.....	<b>\$32.70</b>
<b>7226</b>	Filter Element & O-Ring for Wilkerson.....	<b>\$14.00</b>
<b>7227</b>	Moisture Separator Bowl.....	<b>\$59.60</b>
<b>7228</b>	Diaphragm for Norgren.....	<b>\$24.90</b>
<b>7229</b>	Repair Kit for Norgren.....	<b>\$22.90</b>
<b>7235</b>	Repair Kit for Wilkerson.....	<b>\$44.60</b>
<b>7253</b>	Filter Disk (pkg of 2).....	<b>\$3.11</b>

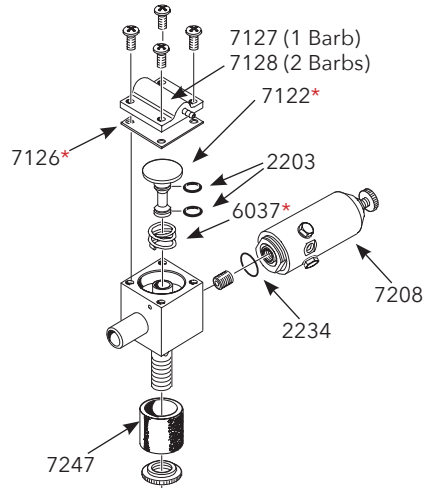
### In-Line Filters



### Master Shut-off Valve 7125



### Integrated Master Shut-off Valve 7212



### Valves & Regulators Illustrated Parts Breakdown Price List

<b>7311</b>	Master Shut-off Valve Repair Kit.....	<b>\$10.40</b>
<b>2203</b>	O-Ring (pkg of 12).....	<b>\$3.01</b>
<b>2234</b>	O-Ring (pkg of 12).....	<b>\$3.01</b>
<b>6037</b>	Spring, Stainless Steel.....	<b>\$1.56</b>
<b>7122</b>	Stem, Master Shut-Off.....	<b>\$5.50</b>
<b>7126</b>	Diaphragm, Master Shut-Off.....	<b>\$2.70</b>
<b>7127</b>	Cap, 1 Barb, Master Shut-Off.....	<b>\$5.50</b>
<b>7128</b>	Cap, 2 Barb, Master Shut-Off.....	<b>\$5.50</b>
<b>7208</b>	Regulator Assembly.....	<b>\$30.50</b>
<b>7247</b>	Filter Element, 40 Micron.....	<b>\$2.90</b>
<b>9790</b>	Screw.....	<b>\$.21</b>

\* Asterisk designates parts included in DCI kit 7311





# Fittings



174-177

Quick Disconnects



178-182

Barb Fittings



183-186

NPT Pipe Fittings



187-189

Compression Fittings



189-191

Poly Flow Fittings



192

Plastic Barb Fittings



7338

## Q.D. Female Panel Mount x 10-32 w/ Shut-off

**The Q.D. Female Panel Mount Coupler** is a compact design, 10-32 panel mount for a 3/8" coupler with a quick disconnect for both water and air. The 3/8" Coupler has a barb-style connection w/ a shut-off feature.

### FEATURED

## Q.D. Female Panel Mount x 10-32 w/ Shut-off

PN **0006** 1/4" Coupler w/ shut-off..... **\$17.60**

- Includes 1/16" & 1/8" barb

NEW

PN **7338** 3/8" Coupler w/ shut-off..... **\$24.90**

- Includes 1/8" barb
- Includes 9786 and 9787 color indicator washers





**Barb Style Connection**

The input coupler features a barb style connection, eliminating an adapter. The 10/32 fitting allows easy mating to various size supply tubings.



**3/8" Coupler**

The 3/8" coupler comes with a 1/8" barb and water and air indicator washers.



**Shut-Off**

Quick-disconnect closes the valve when the fitting is disconnected to avoid dripping.



0014

**Poly Male Insert Q.D. w/ Shut-off**

PN 0014	1/4" Q.D. w/ shut-off.....	\$13.50
PN 0012	3/8" Q.D. w/ shut-off.....	\$21.80

- For use w/ water or air



0015

### Poly Male Insert Q.D. w/o Shut-off

PN 0015	1/4" Q.D. w/o shut-off.....	\$8.30
PN 0013	3/8" Q.D. w/o shut-off.....	\$10.90

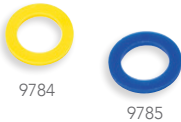


0011

### Poly Q.D. Female Panel Mount w/ Shut-off

PN 0011	1/4" Coupler w/ shut-off.....	\$13.70
PN 0010	3/8" Coupler w/ shut-off.....	\$24.90

- Includes both Yellow & Blue Indicators



9784

9785

### Q.D. Air & Water Indicators

PN 9784	Yellow Air Indicator Washer for 1/4" Q.D. (pkg of 10).....	\$3.21
PN 9785	Blue Water Indicator Washer for 1/4" Q.D. (pkg of 10).....	\$3.21
PN 9786	Yellow Air Indicator Washer for 3/8" Q.D. (pkg of 10).....	\$3.21
PN 9787	Blue Water Indicator Washer for 3/8" Q.D. (pkg of 10).....	\$3.21



0017

### Q.D. Female x MPT w/ Shut-off

PN 0017	1/4" Q.D. x 1/4" MPT.....	\$8.80
PN 0018	1/4" Q.D. x 1/8" MPT.....	\$7.30
PN 0016	3/8" Q.D. x 1/4" MPT.....	\$10.10



### CPC Type Panel Mount Female Q.D. w/ Shut-off

PN 0004	1/4" Coupler w/ shut-off.....	\$47.70
---------	-------------------------------	---------

- Use w/ 0005
- Poly fitting



### CPC Type Panel Mount Male Q.D. w/o Shut-off

PN **0005** 1/4" Q.D. Insert..... **\$18.10**

- For use w/ air only
- Poly fitting
- Use w/ 0004



### Air Hose Quick Connects Male

PN **2081** M Type Male Thread 1/4"..... **\$10.40**



### Air Hose Quick Connects Female

PN **2080** M Type Female Thread 1/4"..... **\$16.60**



### 10-32 Compression Tube Adapter Kit

PN **7111** 1/4" Compression Tube..... **\$4.66**

PN **7112** 3/8" Compression Tube..... **\$5.20**

7112



9330

### Q.D. Barb Reducers

PN **9330** 1/16" x 1/4" Compression..... **\$5.20**

PN **9331** 1/16" x 3/8" Compression..... **\$5.20**

PN **9333** 1/8" x 1/4" Compression..... **\$5.20**

PN **9332** 1/8" x 3/8" Compression..... **\$4.35**



9331

- For use on Q.D. when installing Dentsply CaviJet & Cavitron
- Single Piece Design



0008

### Inline Miniature Q.D. w/ Shut-off Male & Female

PN **0007** 1/16" x 10/32"..... **\$20.20**

PN **0008** 1/8" x 10/32"..... **\$17.60**

- Valve stem for shut-off



### 1/16" Barb Fitting Plated

PN 0074	10-32 x 1/16" Barb (pkg of 10)	\$5.10
PN 0187	Barb Only (pkg of 100)	\$37.40

- For 1/8" O.D. tubing
- Includes sleeve & washer



### 1/8" Barb Fitting Plated

PN 0075	10-32 x 1/8" Barb (pkg of 10)	\$5.80
PN 0188	Barb Only (pkg of 100)	\$39.40

- For 1/4" O.D. tubing
- Includes sleeve & washer



### 10-32 Hex Plug Plated

PN 0073	10-32 Plug (pkg of 10)	\$4.66
PN 0189	Plug Only (pkg of 100)	\$39.40

- Includes washer



### Barb x 1/8" MPT Adapters

PN 0067	1/16" x 1/8" MPT	\$2.39
PN 0068	1/8" x 1/8" MPT	\$2.39
PN 0991	1/16" Barb x 1/8" MPT 90 Degree Elbow	\$5.20



### Syringe Barbs

PN 0084	8-32 x 1/16" Barb (pkg of 10)	\$6.80
PN 0085	Washer 8-32, nylon (pkg of 10)	\$3.21

- Used on most manufacturers' syringes
- PN 0084 includes washer



**FEATURED**

**NEW**

**5/16" Clamp Sleeve**



PN **0200** (pkg of 10)..... **\$8.30**



**1/8" Clamp Sleeve**

PN **0071** (pkg of 10)..... **\$1.56**

PN **0198** (pkg of 100)..... **\$12.80**

- For 1/8" O.D. tubing



**1/4" Clamp Sleeve**

PN **0070** (pkg of 10)..... **\$2.07**

PN **0197** (pkg of 100)..... **\$16.60**

- For 1/4" O.D. tubing



**1/8" 2 piece "Uni-Clamp"**

PN **0089** Uni-Clamp (pkg of 10)..... **\$3.32**

PN **0199** Uni-Clamp (pkg of 100)..... **\$24.90**

- For 1/8" O.D. tubing



**Plastic Sealing Washer**

PN **0072** (pkg of 100)..... **\$4.14**

- For 10-32 fittings



**1/8" Barb x 10-32 "T" Fitting**

PN **0076** 1/8" Barb x 10-32 Port (pkg of 5)..... **\$14.50**



**Barb to Barb Plated**

PN **0077** 1/16" In-Line Barb (pkg of 10)..... **\$5.50**

PN **0078** 1/8" In-Line Barb (pkg of 10)..... **\$8.50**

PN **0079** 1/16" x 1/8" In-Line Barb (pkg of 10)..... **\$10.40**

### Technician Fittings Kit

PN **8781** Technician Fittings Kit ..... **\$248.40**



**Kit Includes:**

- PN **8885** 12 Compartment Storage Box 1 ea.
- PN **0072** 10-32 Plastic Washers 100 ea.
- PN **0077** 1/16" Inline Metal Barb 10 ea.
- PN **0078** 1/8" Inline Metal Barb 10 ea.
- PN **0198** 1/8" Plastic Clamp Sleeve 100 ea.
- PN **0197** 1/4" Plastic Clamp Sleeve 25 ea.
- PN **0064** 10-32 Female Cross 10 ea.
- PN **0189** 10-32 Plug 50 ea.
- PN **0187** 10-32 1/16" Metal Barb 50 ea.
- PN **0188** 10-32 1/8" Metal Barb 50 ea.
- PN **0951** 1/16th Metal Tee 20 ea.
- PN **0952** 1/8" Metal Cross 20 ea.



### A-dec® 5/16" Barb Fitting

PN **0171** 10-32 x 5/16" Barb (pkg of 10) ..... **\$6.20**

- For 3/16" ID tubing

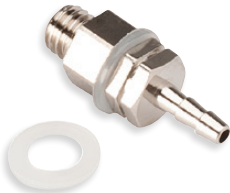


### Stepped Barb Fitting

PN **0993** 10-32 x 1/8" x 1/16" Stepped Barb (pkg of 10) ..... **\$24.90**

PN **0992** 10-32 x 1/8" x 1/16" Stepped Barb ..... **\$2.49**

- Easily connect 1/8" or 1/4" tubing



### Duck Bill Barb "Check Valve"

PN **0168** Duck Bill Barb ..... **\$5.70**

- Provides handpiece water line suck back control
- High flow rate is 80% of standard barb
- Barb has obvious appearance difference from standard
- Will fit any 10-32 port where standard barb is now used
- Can be used on handpiece or syringe water lines

A-dec® is a registered trademarks of A-dec, Inc. DCI has no affiliation with A-dec and A-dec has not authorized DCI replacement parts to be used on or in connection with A-dec® products.







### Barbed Tubing Plugs

PN <b>0066</b>	1/16" Tubing Plug (pkg of 10)	<b>\$7.30</b>
PN <b>0105</b>	1/8" Tubing Plug (pkg of 10)	<b>\$7.80</b>

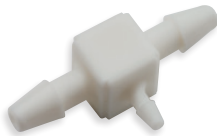
- 0066 is for 1/8" O.D. tubing
- 0105 is for 1/4" O.D. tubing



### Barb Tee Plastic or Metal

PN <b>0082</b>	1/16" White Plastic (pkg of 10)	<b>\$10.80</b>
PN <b>0083</b>	1/8" White Plastic (pkg of 10)	<b>\$12.50</b>
PN <b>0951</b>	1/16" Metal (1 ea.)	<b>\$4.87</b>

- 0082 & 0951 fit 1/8" O.D. tubing
- 0083 fits 1/4" O.D. tubing



### Barb "T" Plastic Reducing

PN <b>0069</b>	Reducing Barb Tee (pkg of 10)	<b>\$14.50</b>
----------------	-------------------------------	----------------

- Measures 1/8" x 1/16" x 1/8"



### Cross Connector "Metal"

PN <b>0952</b>	1/16" Barb Cross	<b>\$7.30</b>
----------------	------------------	---------------

- Fits 1/8" O.D. tubing
- Nickel plated

**FEATURED**

**NEW**



### Dual Mount Distribution Manifold

PN <b>52718</b>	Distribution Manifold	<b>\$31.10</b>
-----------------	-----------------------	----------------

- 9 female 10-32 Ports



0087

### Barb "Y" Plastic

PN 0086	1/16" (pkg of 10)	\$12.10
PN 0087	1/8" (pkg of 10)	\$12.50



0081

### Barb Elbow 10-32

PN 0080	1/16" (pkg of 10)	\$12.00
PN 0081	1/8" (pkg of 10)	\$13.00

- 10-32 Male



0868



0866



0869



2271

### Inline Tubing Q.D. Swivel Fittings

PN 0868	1/16" Inline Tubing Q.D. Assy (pkg of 5)	\$21.80
PN 0866	1/8" Inline Tubing Q.D. Assy (pkg of 5)	\$21.80
PN 0869	1/16" x 1/8" Inline Tubing Q.D. (pkg of 5)	\$21.80
PN 0181	1/16" Male (pkg of 5)	\$12.50
PN 0182	1/8" Male (pkg of 5)	\$7.30
PN 0183	Collar (pkg of 5)	\$5.60
PN 0184	1/16" Swivel, w/ O-Ring (pkg of 5)	\$7.30
PN 0185	1/8" Swivel, w/ O-Ring (pkg of 5)	\$7.80
PN 2271	O-Ring (pkg of 12)	\$7.30



### 10-32 Swivel Elbow

PN 0167	10-32 Male Swivel x 10-32 Female	\$7.10
PN 4282	Tee Swivel x 10-32 ASSY, 1/16" barb	\$7.30



### 10-32 Female Coupler

PN 0063	10-32 Female Coupler (pkg of 5)	\$6.30
---------	---------------------------------	--------





### 10-32 Male Coupler "Hex Nipple"

PN 0062 10-32 Male Coupler (pkg of 5).....\$5.10



### 10-32 Male x 1/8" Female Adapter

PN 0942 10-32 x 1/8" FPT.....\$8.60



### 10-32 Tee Fitting

PN 0065 10-32 Female Tee.....\$1.76



### 10-32 Cross 4-Way

PN 0064 10-32 Female Cross.....\$1.76



### Bushing 10-32 x 1/8" MPT

PN 0091 10-32 x 1/8" MPT.....\$3.11



### Pipe Tee 10-32 x 1/8" MPT

PN 0899 10-32 x 1/8" MPT.....\$6.30



### Cross Connectors

PN 0090 10-32 x 1/8" MPT.....\$3.42



### Cross Connectors

PN 0867 10-32 Male, 10-32 Fem (3).....\$4.66



### Poly Flow Connector x 10-32

PN 0054 1/4" x 10-32..... **\$6.30**



0152

### Close Nipple MPT

PN 0835 1/8" MPT Nipple..... **\$0.83**  
 PN 0152 1/4" MPT Nipple..... **\$1.25**  
 PN 0153 3/8" MPT Nipple..... **\$1.76**  
 PN 0154 1/2" MPT Nipple..... **\$2.07**



0892

### Hex Nipple MPT

PN 0094 1/8" MPT..... **\$1.41**  
 PN 0891 1/4" MPT..... **\$2.14**  
 PN 0892 3/8" MPT..... **\$3.01**



### Inline Needle Valve

PN 0870 1/4" x 1/4"..... **\$27.00**

- Poly to MPT
- Positive seal & flow adjustment
- 150 PSI working pressure

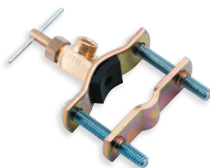


0873

### Right Angle Needle Valves

PN 0872 1/4"x 1/8"..... **\$27.00**  
 PN 0873 1/4" x 1/4"..... **\$27.00**

- Poly to MPT
- Positive seal & flow adjustment
- 150 PSI working pressure



### Self Drilling Saddle Valve

PN 7115 1/4" x 1/8"..... **\$14.50**

- Used to tap into copper lines
- Self drills into 3/8" to 1 3/8" copper tubing
- Outlet is 1/4" O.D. compression tube fitting





### Long Nipple MPT

PN 0155	1/8" MPT x 1 1/2"	\$2.07
PN 0131	1/4" MPT x 1 1/2"	\$2.59
PN 0157	3/8" MPT x 1 1/2"	\$3.63
PN 0158	1/2" MPT x 2"	\$8.30



### Reducing Nipple MPT

PN 0836	1/4" MPT x 1/8" MPT	\$2.18
PN 0897	3/8" MPT x 1/4" MPT	\$3.63



### Female Couplers & Reducing Couplers

PN 0092	Coupler 1/8" x 1/8"	\$1.41
PN 0143	Coupler 1/4" x 1/4"	\$2.70
PN 0144	Coupler 3/8" x 3/8"	\$3.73
PN 0145	Coupler 1/2" x 1/2"	\$6.10
PN 0133	Reducer 1/4" x 1/8"	\$3.11
PN 0811	Reducer 3/8" x 1/4"	\$4.14
PN 0812	Reducer 1/2" x 1/4"	\$7.90
PN 0900	Reducer 1/2" x 3/8"	\$7.90



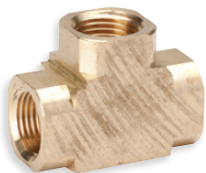
### Elbow 90 Degree Female

PN 0838	1/8" FPT Elbow	\$5.20
PN 0149	1/4" FPT Elbow	\$7.80
PN 0150	3/8" FPT Elbow	\$6.80
PN 0151	1/2" FPT Elbow	\$8.30



### Street Elbow Male x Female

PN 0839	1/8" Elbow	\$3.32
PN 0840	1/4" Elbow	\$4.04
PN 0841	3/8" Elbow	\$7.30
PN 0842	1/2" Elbow	\$8.30



0147

### Pipe Tee Female

PN 0837	1/8" FPT Tee.....	\$4.87
PN 0146	1/4" FPT Tee.....	\$4.97
PN 0147	3/8" FPT Tee.....	\$8.30
PN 0148	1/2" FPT Tee.....	\$11.40



### Female Cross

PN 0096	1/8" FPT.....	\$8.30
---------	---------------	--------



0141

### Bushing MPT x FPT

PN 0093	1/4" x 1/8" Bushing.....	\$1.56
PN 0140	3/8" x 1/8" Bushing.....	\$2.07
PN 0141	3/8" x 1/4" Bushing.....	\$2.07
PN 0142	1/2" x 1/8" Bushing.....	\$3.94
PN 0834	1/2" x 1/4" Bushing.....	\$3.32
PN 0125	1/2" x 3/8" Bushing.....	\$2.80
PN 0918	3/4" x 3/8" Bushing.....	\$8.30
PN 0917	3/4" x 1/4" Bushing.....	\$12.50
PN 0907	3/4" x 1/2" Bushing.....	\$4.97



0160

### Pipe Plug Hex Head

PN 0097	1/8" MPT Plug.....	\$1.04
PN 0159	1/4" MPT Plug.....	\$1.35
PN 0160	3/8" MPT Plug.....	\$1.97



0112

### Pipe Plug Socket Head

PN 0099	1/8" MPT Plug.....	\$1.14
PN 0098	1/4" MPT Plug.....	\$1.56
PN 0112	3/8" MPT Plug.....	\$2.07
PN 0113	1/2" MPT Plug.....	\$2.07



### Compression Tube x MPT Straight

PN 0127	1/4" Tube x 1/8" MPT.....	\$2.28
PN 0843	3/8" Tube x 1/8" MPT.....	\$3.01
PN 0844	1/4" Tube x 1/4" MPT.....	\$2.80
PN 0832	3/8" Tube x 1/4" MPT.....	\$2.90
PN 0914	3/8" Tube x 3/8" MPT.....	\$3.32
PN 0826	3/8" Tube x 1/2" MPT.....	\$4.97



### Compression Tube x MPT Elbow

PN 0845	1/4" Tube x 1/8" MPT.....	\$3.63
PN 0846	1/4" Tube x 1/4" MPT.....	\$4.14
PN 0847	3/8" Tube x 1/8" MPT.....	\$5.70
PN 0824	3/8" Tube x 1/4" MPT.....	\$5.70



### Union Compression Tube x Compression Tube

PN 0806	1/8" Union.....	\$2.59
PN 0807	1/4" Union.....	\$3.63
PN 0808	5/16" Union.....	\$3.11
PN 0809	3/8" Union.....	\$3.94



### Compression Tube "Tee"

PN 0135	1/4" Union Tee.....	\$6.10
PN 0136	5/16" Union Tee.....	\$6.10
PN 0137	3/8" Union Tee.....	\$6.30
PN 0138	1/2" Union Tee.....	\$18.70
PN 0139	5/8" Union Tee.....	\$17.60



### Compression Nuts

PN 0880	1/8" Compression Nut (pkg of 10).....	\$3.73
PN 0881	1/4" Compression Nut (pkg of 10).....	\$4.25
PN 0882	5/16" Compression Nut (pkg of 10).....	\$9.40
PN 0823	3/8" Compression Nut (pkg of 10).....	\$9.40



### Compression "Female" Sleeves

PN 0801	1/8" Brass Sleeve (pkg of 10)	\$2.39
PN 0920	1/4" Brass Sleeve (pkg of 10)	\$2.18
PN 0921	5/16" Brass Sleeve (pkg of 10)	\$3.11
PN 0922	3/8" Brass Sleeve (pkg of 10)	\$4.25
PN 0923	1/2" Brass Sleeve (pkg of 10)	\$6.30



### MPT Adapters x Compression Tube

PN 0100	1/8" MPT x 3/8"	\$3.94
PN 0102	1/4" MPT x 3/8"	\$10.80
PN 0904	1/2" MPT x 3/8"	\$10.80

### FEATURED



### Flare x MPT Straight Connectors

PN 0813	1/4" x 1/4"	\$3.11
PN 0815	3/8" x 1/4"	\$2.59
PN 0884	1/4" x 1/8"	\$1.04
PN 0886	1/4" Flare x 1/8" MPT Elbow Connector	\$2.28

NEW ITEMS

0890



### Flare Nuts

PN 0889	1/4" Flare Nut	\$1.04
PN 0890	3/8" Flare Nut	\$1.56



### TECH TIP

**TRYING TO SOLVE  
A TOUGH TECHNICAL  
PROBLEM?**

Visit the DCI Service Forum at [www.dcionline.com](http://www.dcionline.com) or the DCI Video Library where you can collaborate with fellow technicians and find the answers to the most challenging dental repairs!







### Push to Connect Fittings

PN <b>9341</b>	Swivel Elbow 1/8" NPT x 1/4" Quick Connect.....	<b>\$8.80</b>
PN <b>9342</b>	Straight Fitting 1/8" NPT x 1/4" Quick Connect.....	<b>\$6.30</b>
PN <b>9343</b>	Swivel Elbow 1/4" NPT x 1/4" Quick Connect.....	<b>\$20.20</b>



### Poly x Compression Tubing

PN <b>0044</b>	1/4" Poly x 3/8" Compression.....	<b>\$5.60</b>
PN <b>0864</b>	3/8" Poly x 3/8" Compression.....	<b>\$5.70</b>



### Poly x MPT Male Fittings

PN <b>0053</b>	1/4" x 1/8".....	<b>\$2.07</b>
PN <b>0052</b>	1/4" x 1/4".....	<b>\$2.80</b>
PN <b>0048</b>	5/16" x 1/8".....	<b>\$2.65</b>
PN <b>0049</b>	5/16" x 1/4".....	<b>\$3.94</b>
PN <b>0051</b>	3/8" x 1/8".....	<b>\$2.90</b>
PN <b>0050</b>	3/8" x 1/4".....	<b>\$3.11</b>
PN <b>0119</b>	3/8" x 3/8".....	<b>\$7.00</b>
PN <b>9339</b>	1/4" x 3/8".....	<b>\$7.70</b>



### Poly x 10-32 Male Fitting

PN <b>0054</b>	1/4" x 10-32.....	<b>\$6.30</b>
----------------	-------------------	---------------



### Poly x MPT Elbow Fittings

PN <b>0042</b>	1/8" x 1/8".....	<b>\$6.80</b>
PN <b>0061</b>	1/4" x 1/8".....	<b>\$3.11</b>
PN <b>0060</b>	1/4" x 1/4".....	<b>\$3.21</b>
PN <b>0936</b>	1/4" x 3/8".....	<b>\$7.80</b>
PN <b>0047</b>	5/16" x 1/8".....	<b>\$5.10</b>
PN <b>0059</b>	3/8" x 1/8".....	<b>\$5.20</b>
PN <b>0058</b>	3/8" x 1/4".....	<b>\$6.30</b>



### Poly x Long MPT Elbow Fitting

PN <b>9338</b>	Long Male Elbow 1/4" Poly x 1/4" MPT.....	<b>\$20.70</b>
----------------	---	----------------

- For water supply to vacuum pump impeller housing
- When using on vacuum pump, replace poly nut w/ metal sleeve



### Poly Run Tee x MPT

PN <b>0041</b>	1/4" x 1/8"	\$6.50
PN <b>0040</b>	1/4" x 1/4"	\$6.50



### Poly x FPT Straight Connectors

PN <b>0057</b>	1/4" x 1/8"	\$1.87
PN <b>0056</b>	1/4" x 1/4"	\$4.14
PN <b>0114</b>	5/16" x 1/8"	\$7.80
PN <b>0055</b>	3/8" x 1/4"	\$3.42



### Poly Union

PN <b>0032</b>	1/4" x 1/4"	\$3.11
PN <b>0033</b>	5/16" x 5/16"	\$9.40
PN <b>0031</b>	3/8" x 3/8"	\$4.14



### Poly Reducing Unions

PN <b>0030</b>	3/8" x 1/4"	\$6.10
----------------	-------------	--------



### Poly x Compression Tube Unions

PN <b>0045</b>	1/4" x 1/4"	\$13.10
PN <b>0034</b>	3/8" x 3/8"	\$12.50



### Poly Tees

PN <b>0036</b>	1/4"	\$6.30
PN <b>0038</b>	5/16"	\$9.40
PN <b>0035</b>	3/8"	\$7.10
PN <b>0037</b>	1/4" x 3/8" x 3/8"	\$16.60



### Poly Nut & Sleeve

PN <b>0021</b>	1/4" Poly Nut & Sleeve (pkg of 5)	\$4.66
PN <b>0019</b>	5/16" Poly Nut & Sleeve (pkg of 5)	\$5.20
PN <b>0020</b>	3/8" Poly Nut & Sleeve (pkg of 5)	\$4.66





0023

### Poly Sleeve "Ferrule"

PN 0023	1/4" Poly Sleeve (pkg of 10)	\$4.72
PN 0027	5/16" Poly Sleeve (pkg of 10)	\$4.72
PN 0022	3/8" Poly Sleeve (pkg of 10)	\$4.72



0025

### Poly Plugs

PN 0025	1/4" Poly Plug (pkg of 5)	\$3.11
PN 0026	5/16" Poly Plug (pkg of 5)	\$5.70
PN 0024	3/8" Poly Plug (pkg of 5)	\$3.11

- Comes w/ barbs & washers



0851



0854



0858



0856



0850

### Garden Hose Adapters

PN 0851	3/4" Garden Hose Male x 3/8" Male Pipe	\$11.60
PN 0852	3/4" Garden Hose Male x 1/2" Male Pipe	\$13.70
PN 0853	3/4" Garden Hose Female x 1/4" Male Pipe	\$9.70
PN 0854	3/4" Garden Hose Female x 3/8" Male Pipe	\$9.70
PN 0855	3/4" Garden Hose Female x 1/4" Male Barb Fitting	\$7.50
PN 0856	3/4" Garden Hose Female x 3/8" Male Barb Fitting	\$7.50
PN 0858	3/4" Garden Hose Female x 3/4" Male Barb Fitting	\$19.10
PN 0850	Hose Washer (pkg of 10)	\$7.50



0943

### Plastic Vacuum Adapters

#### TUBING SIZES

PN 0943	1/2" x 1/2"	\$2.07
PN 0944	1/2" x 5/8"	\$2.07
PN 0945	1/2" x 7/8"	\$6.60
PN 0947	5/8" x 5/8"	\$2.07
PN 0946	5/8" x 7/8"	\$8.30
PN 0948	3/4" x 3/4"	\$2.59



### Plastic Barbed "Y" Fitting

PN **0994** 1/2" x 1/2" x 1/2" Barbed Y..... **\$4.25**



### Plastic Straight Male Adapters

PN **0959** 1/2" MPT x 1/2" Barb..... **\$1.45**  
 PN **0979** 3/4" MPT x 1/2" Barb..... **\$2.07**  
 PN **0960** 1/2" MPT x 5/8" Barb..... **\$2.39**  
 PN **0961** 3/4" MPT x 5/8" Barb..... **\$2.18**  
 PN **0978** 1/2" MPT x 3/4" Barb..... **\$2.18**  
 PN **0980** 3/4" MPT x 3/4" Barb..... **\$2.18**  
 PN **0981** 3/4" MPT x 1" Barb..... **\$2.80**  
 PN **0982** 1" MPT x 1" Barb..... **\$2.59**



### Plastic Elbow Male Adapters

PN **0966** 1/2" MPT x 1/2" Barb..... **\$2.18**  
 PN **0973** 3/4" MPT x 1/2" Barb..... **\$2.70**  
 PN **0971** 1/2" MPT x 5/8" Barb..... **\$1.87**  
 PN **0974** 3/4" MPT x 5/8" Barb..... **\$2.70**  
 PN **0972** 1/2" MPT x 3/4" Barb..... **\$2.70**  
 PN **0975** 3/4" MPT x 3/4" Barb..... **\$3.21**  
 PN **0976** 3/4" MPT x 1" Barb..... **\$3.21**  
 PN **0977** 1" MPT x 1" Barb..... **\$3.21**



### Plastic Elbow Female Adapters

PN **0967** 1/2" FPT x 1/2" Barb..... **\$2.39**  
 PN **0968** 1/2" FPT x 5/8" Barb..... **\$3.63**



### Plastic Barbed "T" Fittings

PN **0964** 1/2" x 1/2" x 1/2" Barbed Tee..... **\$1.66**  
 PN **0965** 5/8" x 5/8" x 5/8" Barbed Tee..... **\$1.87**  
 PN **0970** 5/8" x 5/8" x 1/2" Barbed Tee..... **\$1.87**



### Plastic Barb x Barb Elbow

PN **0962** 1/2" x 1/2" Barbed Elbow..... **\$2.39**  
 PN **0983** 5/8" x 5/8" Elbow..... **\$1.87**



# Tubing



194-195

Handpiece Tubing



196

Syringe, Prophy & Cavitron Tubing



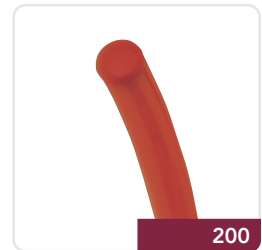
197-198

Foot Control/Saliva Ejector Tubing



198-199

Vacuum Tubing, Floor Flanges & Cuffs



200

Supply Tubing

Tubing



**PAGES 70-75**  
Fiber Optic &  
Power Optic Tubing



432T

### Asepsis Smooth Wall Handpiece Tubing

#### Asepsis 4-Hole HP Tubing

Easily match your existing tubing color and size with one of our available options.

#### FEATURED

### Asepsis 4-Hole Handpiece Tubing



NEW  
ITEMS

DARK SURF	GRAY	LT SAND	STERLING	BLACK	
435T	432T	433T	436T	431T	7 ft. w/ Connector..... \$25.10
	445T				12 ft. w/ Connector..... \$29.50
	446T				11 ft. w/ Connector..... \$28.20
	441T				10 ft. w/ Connector..... \$26.90
435	432	433	436	431	Per foot..... \$1.56/ft
435R	432R	433R	436R	431R	100 ft. Roll..... \$120.10
435B	432B	433B	436B	431B	100 ft. Box..... \$120.10
435CT	432CT	433CT	436CT	431CT	Coiled w/ Connector.... \$37.60



## Sterling

The following dental manufacturers offer Sterling tubing: Pelton & Crane®, DentalEZ®, Marus® Dental, DCI Equipment, Beaverstate, Forest, DCI Edge, DCI Reliance

## Gray

The following dental manufacturers offer Gray tubing: DCI, Belmont®, Sirona, Dentech®

## Black

The following dental manufacturers offer Black tubing: Forest & Boyd

## Dark Surf / Shadow

The following dental manufacturers offer Dark Surf tubing: A-dec®, Midmark®

## Light Sand

The following dental manufacturers offer Lt. Sand tubing: Royal / Proma, Engle, Boyd Dental



322

## Asepsis 3-Hole Handpiece Tubing

### GRAY

<b>322T</b>	7 ft. w/ Connector.....	<b>\$25.90</b>
<b>322</b>	Per foot.....	<b>\$1.22/ft.</b>
<b>322R</b>	100 ft. Roll.....	<b>\$103.50</b>
<b>322B</b>	100 ft. Box.....	<b>\$103.50</b>
<b>322CT</b>	Coiled w/ Connector.....	<b>\$30.80</b>



402

## Standard 4-Hole Handpiece Tubing

### GRAY

<b>402T</b>	7 ft. w/ Connector.....	<b>\$20.50</b>
<b>402</b>	Per foot.....	<b>\$1.29/ft.</b>
<b>402R</b>	100 ft. Roll.....	<b>\$98.00</b>
<b>402B</b>	100 ft. Box.....	<b>\$98.00</b>
<b>402CT</b>	Coiled w/ Connector.....	<b>\$34.20</b>

A-dec® is a registered trademark of A-dec, Inc. These parts are manufactured by DCI to fit A-dec® equipment. DCI has no affiliation with A-dec and A-dec has not authorized DCI replacement parts to be used on or in connection with A-dec® products.

### FEATURED

### Sheathed 3-Hole Syringe Tubing



645

<u>DARK SURF</u>	<u>GRAY</u>
------------------	-------------

645	646
<b>NEW</b> 645R	<b>NEW</b> 646R

Straight (per ft.) (A-dec® #024.155.02 Dark Surf) & (A-dec® #024.223.02 Gray).....	\$1.37/ft
100 ft. Roll.....	\$98.40



233

### Asepsis 2-Hole Syringe Tubing

<u>DARK SURF</u>	<u>GRAY</u>	<u>LT SAND</u>	<u>STERLING</u>	<u>BLACK</u>
------------------	-------------	----------------	-----------------	--------------

235	232	233	236	231
235R	232R	233R	236R	231R
235B	232B	233B	236B	231B
235C	232C	233C	236C	231C

Straight (per ft.).....	\$0.69/ft
100 ft. Roll.....	\$54.70
100 ft. Box.....	\$54.70
Coiled.....	\$15.50



222

### Standard 2-Hole Syringe Tubing

<u>GRAY</u>
-------------

222	Straight (per ft.).....	\$0.80/ft
-----	-------------------------	-----------



332

### Standard 3-Hole Syringe Tubing

<u>GRAY</u>
-------------

332	Per foot.....	\$1.72/ft
-----	---------------	-----------



640

### Ultrasonic Scaler Tubing 7 ft. Length

PN 640	Straight.....	\$28.50
--------	---------------	---------



631

### Prophy Tubing 7 ft. Length

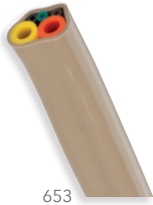
<u>GRAY</u>	<u>BLACK</u>
-------------	--------------

631	630	For DENTSPLY® / Cavitron Prophy-Jet Model C-100 & C-200.....	\$29.40
636	635	For DENTSPLY® / Cavitron Prophy-Jet Model C-300 & Cavi-Jet Model G105.....	\$34.20

A-dec® is a registered trademark of A-dec, Inc. These parts are manufactured by DCI to fit A-dec® equipment. DCI has no affiliation with A-dec and A-dec has not authorized DCI replacement parts to be used on or in connection with A-dec® products.







653

### Sheathed Asepsis 5-Hole Foot Control Tubing

- PN **653** Sheathed Asepsis 5-Hole Foot Control Tubing, Dark Surf (A-dec® #024.202.01) (Midmark® #053-1709-00)..... **\$7.30/ft**
- PN **654** Sheathed Asepsis 5-Hole Foot Control Tubing, Gray (A-dec® #024.214.01) (Midmark® #053-1709-00)..... **\$7.30/ft**
- Polyurethane
  - 2 ea. - 5/16" tubings
  - 3 ea. - 1/8" tubings
  - A-dec 300° or 500° only



426

### Asepsis 4-Hole Foot Control Tubing

Polyurethane

<u>DARK SURF</u>	<u>GRAY</u>		
<b>428</b>	<b>426</b>	Per foot.....	<b>\$3.42/ft.</b>
<b>428R</b>	<b>426R</b>	100 ft. Roll.....	<b>\$268.70</b>
<b>428B</b>	<b>426B</b>	100 ft. Box.....	<b>\$268.70</b>



252

### Asepsis 2-Hole Foot Control Tubing

Vinyl / Gray

<b>252</b>	Per foot.....	<b>\$1.37/ft.</b>
<b>252R</b>	100 ft. Roll.....	<b>\$107.10</b>
<b>252B</b>	100 ft. Box.....	<b>\$107.10</b>

Polyurethane / Gray

<b>253</b>	Per foot.....	<b>\$2.47/ft.</b>
<b>253R</b>	100 ft. Roll.....	<b>\$239.10</b>
<b>253B</b>	100 ft. Box.....	<b>\$239.10</b>



511

### Standard 5-Hole Foot Control Tubing

Polyurethane

<u>DARK SURF</u>	<u>GRAY</u>	<u>LT SAND</u>	<u>STERLING</u>		
<b>511</b>	<b>512</b>	<b>510</b>	<b>513</b>	Per foot.....	<b>\$3.53/ft.</b>
<b>511R</b>	<b>512R</b>	<b>510R</b>	<b>513R</b>	100 ft. Roll.....	<b>\$296.10</b>
<b>511B</b>	<b>512B</b>	<b>510B</b>	<b>513B</b>	100 ft. Box.....	<b>\$296.10</b>



425

### Standard 4-Hole Foot Control Tubing

Polyurethane

<u>DARK SURF</u>	<u>GRAY</u>	<u>LT SAND</u>	<u>STERLING</u>		
<b>427</b>	<b>423</b>	<b>425</b>	<b>421</b>	Per foot.....	<b>\$2.85/ft.</b>
<b>427R</b>	<b>423R</b>	<b>425R</b>	<b>421R</b>	100 ft. Roll.....	<b>\$250.50</b>
<b>427B</b>	<b>423B</b>	<b>425B</b>	<b>421B</b>	100 ft. Box.....	<b>\$250.50</b>

Vinyl / Gray

<b>422</b>	Per foot.....	<b>\$1.49/ft.</b>
<b>422R</b>	100 ft. Roll.....	<b>\$132.10</b>
<b>422B</b>	100 ft. Box.....	<b>\$132.10</b>

A-dec®, A-dec 300® and A-dec 500® are registered trademarks of A-dec, Inc. These parts are manufactured by DCI to fit A-dec® equipment. DCI has no affiliation with A-dec and A-dec has not authorized DCI replacement parts to be used on or in connection with A-dec® products.



343

## Standard 3-Hole Foot Control Tubing

Polyurethane

<u>DARK SURF</u>	<u>GRAY</u>	<u>LT SAND</u>	<u>STERLING</u>		
350	343	348	349	Straight (per ft.)	\$2.17
350R	343R	348R	349R	100 ft. Roll	\$186.80
350B	343B	348B	349B	100 ft. Box	\$186.80



243

## Standard 2-Hole Foot Control Tubing

Polyurethane

<u>DARK SURF</u>	<u>GRAY</u>	<u>LT SAND</u>	<u>STERLING</u>		
256	243	255	246	Straight (per ft.)	\$1.64/ft.
256R	243R	255R	246R	100 ft. Roll	\$148.10
256B	243B	255B	246B	100 ft. Box	\$148.10

Vinyl / Gray

242	Straight (per ft.)	\$0.92/ft.
242R	100 ft. Roll	\$79.70
242B	100 ft. Box	\$79.70



S601

## 3/16" I.D. Vinyl Saliva Ejector Tubing

<u>DARK SURF</u>	<u>GRAY</u>	<u>LT SAND</u>	<u>STERLING</u>	<u>BLACK</u>		
S615	S601	S603	S605	S604	Per foot	\$0.94
S615R	S601R	S603R	S605R	S604R	100 ft. Roll	\$72.90
S615B	S601B	S603B	S605B	S604B	100 ft. Box	\$72.90



S611

## 7/32" I.D. Vinyl Saliva Ejector Tubing

<u>GRAY</u>	<u>STERLING</u>		
S611	S610	Per foot	\$0.80
S611R	S610R	100 ft. Roll	\$79.70
S611B	S610B	100 ft. Box	\$79.70



737

## Asepsis Smooth Wall HVE Tubing

**PER FT.**

PN 737	1/2" I.D. Dark Surf (per ft.)	\$2.62
PN 733	1/2" I.D. Gray (per ft.)	\$2.62
PN 734	1/2" I.D. Light Sand (per ft.)	\$2.62
PN 742	1/2" I.D. Sterling (per ft.)	\$2.62
PN 744	1/2" I.D. Black (per ft.)	\$2.62



732

## Asepsis HVE Tubing

**PER FT.**

PN 731	1/2" I.D. Gray (per ft.)	\$2.85
PN 732	5/8" I.D. Gray (per ft.)	\$4.33
PN 743	1/2" I.D. Light Sand (per ft.)	\$2.85
PN 739	5/8" I.D. Sterling (per ft.)	\$4.33





722

### Asepsis "Sheathed" Corrugated Tubing

PER FT.

PN 721	1/2" I.D. Gray (per ft.)	\$8.60
PN 722	1" I.D. Gray (per ft.)	\$6.40
	• 50 feet max per section	

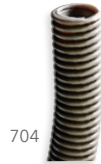


740

SV05

### Specialty Vacuum Tubing

PN 740	Flush Cup Tubing, Gray (per ft.)	\$7.50/ft.
PN SV05	1/2" I.D. Drain Tubing, Gray (per ft.)	\$2.28/ft.
PN SV05R	1/2" I.D. Drain Tubing, Gray (100 ft. Roll)	\$190.20
PN 752	3/8" I.D., Clear PVC Convuluted	\$2.51/ft.



704

### Standard Corrugated Tubing

GRAY	STERLING		<u>PER FT.</u>
701	713	1/2" I.D. Tubing	\$2.58
703	714	5/8" I.D. Tubing	\$2.74
704	715	3/4" I.D. Tubing	\$3.08
705	716	1" I.D. Tubing	\$3.19
706	717	1 1/4" I.D. Tubing	\$3.65
707	718	1 1/2" I.D. Tubing	\$4.56
708	719	1 3/4" I.D. Tubing	\$6.20
709	720	2" I.D. Tubing	\$7.10



9350

### Stainless Steel Hose Clamps

PN 9350	Stainless Steel Hose Clamps 3/8" - 7/8" (pkg of 10)	\$20.50
PN 9351	Stainless Steel Hose Clamps 1/2" - 1 1/4" (pkg of 10)	\$22.80
PN 9352	Stainless Steel Hose Clamps 3/4" - 1 3/4" (pkg of 10)	\$25.10
PN 9353	Stainless Steel Hose Clamps 1 1/4" - 2 1/4" (pkg of 10)	\$27.40



8664

### Floor Flange

PN 8660	9/16" I.D. For Foot Control Tubing, 2" O.D.	\$29.70
PN 8663	1 3/8" I.D. For 1" Vac Tubing, 3" O.D.	\$38.80
PN 8664	1 5/8" I.D. For 1 1/4" Vac Tubing, 3" O.D.	\$43.30



### Tubing Cuffs

PN 8611	For 5/8" I.D. Tubing	\$3.99
PN 8612	For 3/4" I.D. Tubing	\$4.56
PN 8613	For 1" I.D. Tubing	\$3.99
PN 8614	For 1 1/4" I.D. Tubing	\$4.56
PN 8615	For 1 1/2" I.D. Tubing	\$8.00
PN 8616	For 2" I.D. Tubing	\$8.60



1202

### 1/8" O.D. Polyurethane Supply Tubing (1/16" I.D.)

BLACK	BLUE	CLEAR	GREEN		
1201	1202	1203	1204	Per foot.....	\$0.33
1201R	1202R	1203R	1204R	100 ft. Roll.....	\$22.80
1201B	1202B	1203B	1204B	100 ft. Box.....	\$22.80
GRAY	ORANGE	RED	YELLOW		
1205	1206	1207	1208	Per foot.....	\$0.33
1205R	1206R	1207R	1208R	100 ft. Roll.....	\$22.80
1205B	1206B	1207B	1208B	100 ft. Box.....	\$22.80



1405

### 1/4" O.D. Polyurethane Supply Tubing (1/8" I.D.)

BLACK	BLUE	CLEAR	GREEN	GRAY	ORANGE	
1401	1402	1403	1404	1405	1406	Per foot..... \$0.73
1401R	1402R	1403R	1404R	1405R	1406R	100 ft. Roll..... \$61.50
1401B	1402B	1403B	1404B	1405B	1406B	100 ft. Box..... \$61.50
RED	YELLOW	WHITE	LT. SAND	DARK SURF	STERLING GRAY	
1407	1408	1409	1417	1418	1419	Per foot..... \$0.73
1407R	1408R	1409R	1417R	1418R	1419R	100 ft. Roll..... \$61.50
1407B	1408B	1409B	1417B	1418B	1419B	100 ft. Box..... \$61.50



1706

### 5/16" O.D. Polyurethane Supply Tubing (3/16" I.D.)

BLACK	BLUE	CLEAR	ORANGE	YELLOW	
1701	1702	1703	1706	1708	Per foot..... \$1.85
1701R	1702R	1703R	1706R	1708R	100 ft. Roll..... \$136.70
1701B	1702B	1703B	1706B	1708B	100 ft. Box..... \$136.70

• 5/16" OD tubing is used by A-dec®



1608

### 3/8" O.D. Polyurethane Supply Tubing (1/4" I.D.)

BLUE	CLEAR	GRAY	YELLOW	
1602	1603	1605	1608	Per foot..... \$1.85
1602R	1603R	1605B	1608R	100 ft. Roll..... \$136.70
1602B	1603B	1605R	1608B	100 ft. Box..... \$136.70

A-dec® is a registered trademark of A-dec, Inc. These parts are manufactured by DCI to fit A-dec® equipment. DCI has no affiliation with A-dec and A-dec has not authorized DCI replacement parts to be used on or in connection with A-dec® products.



Easy Online Ordering

# Service, Cabinet & Analgesia



202-208

Tools



209

X-Ray Exposure  
Switches



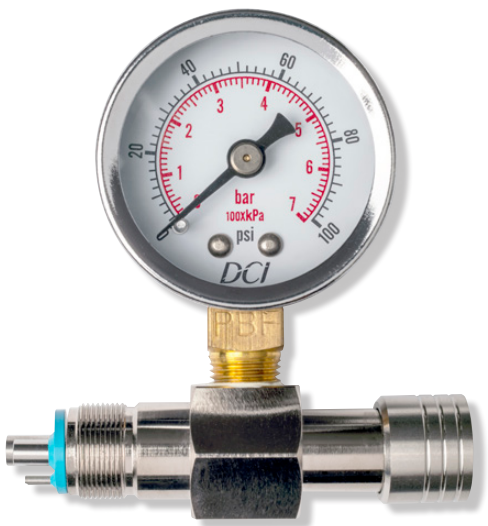
210-213

Electrical Accessories



214-216

Repair Kits



217-219

O-Rings



220-221

Analgesia  
Components



222

Tapmaster®  
Cabinet Parts



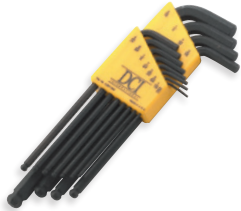
223-226

Cabinet Components



## DCI Hemostat

PN 9325 Hemostat..... **\$11.40**



## DCI Hex Wrench Sets

PN 9705 Hex Wrench Set, Standard..... **\$28.00**  
 PN 9706 Hex Wrench Set, Metric..... **\$35.20**

- Long arm series
- Heat treated alloy steel, black finish
- Available in standard & metric sizes
- Ball driver end



## Panel Wrench

PN 9288 Panel Wrench..... **\$2.59**

- Great for installing toggles & other 9/16" nuts



## Metal Sleeve Tool

PN 8061 Sleeve Tool Metal 1/8"..... **\$20.70**  
 PN 8062 Sleeve Tool Metal 1/4"..... **\$20.70**  
 PN 8089 Combo Sleeve Tool 1/8" & 1/4"..... **\$20.70**

- Plated metal construction
- Ends angled 45° and 90°



## Plastic Sleeve Tool

PN 8060 Sleeve Tool Plastic..... **\$16.60**

- For 1/4" and 1/8" sleeves
- For 1/8" I.D. uni-clamp
- Durable plastic



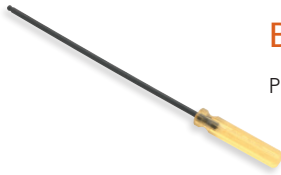
## O-Ring Tools

PN 9316 O-Ring Tool Kit (A-dec® #009.013.00)..... **\$24.90**

- Aids in installing O-Rings onto stems
- 3 sizes: .199, .166, .100

A-dec® is a registered trademark of A-dec, Inc. These parts are manufactured by DCI to fit A-dec® equipment. DCI has no affiliation with A-dec and A-dec has not authorized DCI replacement parts to be used on or in connection with A-dec® products.





### Ball Driver 3/32

PN 9700 3/32" Ball Driver..... \$5.20

- Use for adjusting syringe flow & handpiece pressure
- Plastic handle



### Pelton & Crane® Socket Retractor

PN 9289 Pelton & Crane® Socket Retractor..... \$4.35



Check out the DCI Video Library for how to use the P&C socket retractor!



### Gas Spring Adjusting Tool

PN 8697 (Pelton & Crane® #016749)..... \$22.80

- For use w/ Pelton & Crane® LFII
- 5/16" Hex



### 4 Hole Tubing Splice Connector

PN 0954 Tubing Connector..... \$9.40



### Tubing Cutter

PN 8620 Tubing Cutter..... \$16.60

PN 8622 Replacement Blade..... \$9.20



### Copeland Compressor Sight Glass Tool

PN 2633 Sight Glass Tool (MDT #301789)..... \$43.50



## Tubing Stripper

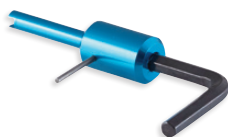
PN 8621 Tubing Stripper..... \$1.87



## Post Leveling Tools

PN 8668 Magnetic Leveling Tool..... \$12.50

- Use for quick & easy leveling of light and unit posts
- Vertical & horizontal
- 8668 attaches to post magnetically



## DCI 3-in-1 Syringe Tool

PN 9287 DCI 3-in-1 Syringe Tool..... \$13.00

- Includes Valve Core Tool, Quick-Change® Adapter Tool & Button Pin Removal Tool



## A-dec® Syringe Tools

PN 9286 A-dec® Syringe Tool (A-dec® #98.0010.00)..... \$17.10

- Valve core, tip tool & button retaining screw tool



## Forest Syringe Button Multi Tool

PN 3033 Forest Syringe Button Multi Tool..... \$2.59

- Wrench end for barbs
- Hex for tip adapter nut
- Wrench for Forest style buttons



## Syringe Button Removal Tool

PN 8059 Syringe Button Removal Tool..... \$17.10



## Syringe Nut Wrench

PN 3097 Syringe Nut Wrench..... \$2.07



## Valve Core Tool

PN 3096 Valve Core Tool..... \$3.11

A-dec® is a registered trademark of A-dec, Inc. These parts are manufactured by DCI to fit A-dec® equipment. DCI has no affiliation with A-dec and A-dec has not authorized DCI replacement parts to be used on or in connection with A-dec® products.

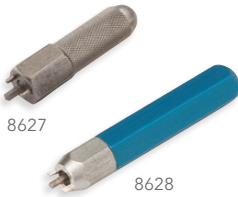






### Burr Wrench Universal

PN 8625 Universal, Square Drive.....\$21.80



### Burr Wrenches Midwest

PN 8627 For Midwest Quiet Air.....\$21.80  
 PN 8628 For Midwest 8000/Trad.....\$20.70



### Handpiece Repair Tool

PN 4706 Handpiece Waterline Tool.....\$207.00

- Quickly & easily clear plugged water line in handpiece

#### FEATURED



### Air Service Tool

PN 8063 Service Tool.....\$25.90  
 PN 0992 Replacement Barb.....\$2.49

- Provides air for cleaning tubing or testing components
- 4-hole Midwest connector



### Handpiece Pressure Test Gauge

PN 7267 Handpiece Pressure Gauge.....\$50.80  
 PN 7281 Replacement Gauge, 1 1/2".....\$15.60



- Measures drive air pressure w/ handpiece running
- 0-100 PSI gauge
- Fits both 6 pin & 5 hole handpieces

## FEATURED



NEW

### Economy Test Gauge

PN 7262	Test Gauge.....	\$27.00
PN 0992	Replacement Barb.....	\$2.49

- Replaceable barb for use w/ 1/8" or 1/16" I.D. tubing
- 0-160 PSI gauge



### Blow Gun

PN 8651	Blow Gun w/ 10 ft. Coil.....	\$48.70
PN 8650	Blow Gun Only.....	\$19.70
PN 8655	10 ft. Coil Tubing Only.....	\$31.10
PN 8649	Blow Gun Tip Kit.....	\$30.10

- 125 PSI working pressure
- Lever operated
- 1/4" FPT connection
- Available w/ 10' coiled tubing (yellow) w/ 1/4" MPT fittings



### Umbilical Tubing Stringer

PN 8094	Tubing Stringer.....	\$34.00
---------	----------------------	---------

- Use to pull 1/8" & 1/4" tubing through existing umbilical
- 12' long
- Flexible



### Loctite

PN 8021	Threadlock 242 / 0.34 oz.....	\$34.20
PN 8024	Superbond 409 / 0.10 oz.....	\$11.40



### All Purpose Lube

PN 8032	All Purpose Lube.....	\$17.10
---------	-----------------------	---------

- Moisture resistant
- Teflon base lubricant
- Net wt. 1 1/2 oz.
- Not recommended for O-Rings



### Silicone O-Ring Lube

PN 8031	Parker Super O-Ring Lube, Net wt. 2 oz.....	\$33.20
PN 8034	Silicone Lubricant, Net wt. .04 oz (pkg of 5).....	\$7.30

- Moisture resistant
- Silicon base lubricant
- For synthetic & rubber O-Rings





### Valve Cleaning Brushes

PN 5620	HVE Brush (3 3/4" bristles) (pkg of 5)	\$12.50
PN 5621	SE Brush (3" bristles) (pkg of 5)	\$12.50
PN 5622	Small Brush (pkg of 5)	\$20.70



### Silicone Lubricant Spray

**GROUND SHIPMENT ONLY**

PN 6814	Silicon Lubricant Spray	\$22.00
---------	-------------------------	---------

- For general lubricating purposes
- Leaves no oily residues



### White Lithium Grease Spray

**GROUND SHIPMENT ONLY**

PN 6817	White Lithium Grease Spray	\$14.50
---------	----------------------------	---------

- Heavy duty lubricant
- Best for pivot points, bushings & bearings



### Teflon Tape

PN 9951	Teflon Tape, 1/2", 520 ft. roll	\$2.28
PN 9950	Teflon Tape, 1/4", 520 ft. roll	\$3.11



### Wall Anchors

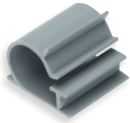
PN 6815	Nylon Wall Anchors w/ Screw (pkg of 25)	\$12.50
PN 6816	Metal Wall Anchors w/ Screw (pkg of 25)	\$18.70



### Insert Nut 1/4-20x13

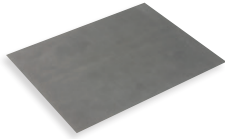
PN 9340	Insert Nut 1/4-20x13 (pkg of 12)	\$4.14
---------	----------------------------------	--------

- For under counter mounting



## Adhesive Clamp, 3/4"

PN 9043 Adhesive Clamp, 3/4", Gray (pkg of 5)..... \$10.40



## Diaphragm Sheet Stock

PN 9001 11" x 8 1/2"..... \$25.90

- 11" x 8 1/2" Sheet
- .013" Thick



## Adjustable Tie "Mount"

PN 8045 Cable Tie-Mount (pkg of 10)..... \$4.77



## Adjustable Tie Clamp

PN 8054 4" Cable Tie (pkg of 10)..... \$1.04  
 PN 8055 5" Cable Tie (pkg of 10)..... \$1.14  
 PN 8058 8" Cable Tie (pkg of 10)..... \$3.32



## Heyco Snap-In Bushings

PN 9234 Heyco Snap-In Bushing, 1/2", Black (pkg of 5)..... \$1.04  
 PN 9235 Heyco Snap-In Bushing, 3/4", Black (pkg of 5)..... \$1.56  
 PN 9236 Heyco Snap-In Bushing, 1 1/2", Black (pkg of 5)..... \$3.63



## Cable Clamp

PN 8074 1/4" Cable Clamp (pkg of 10)..... \$2.28  
 PN 8078 1/2" Cable Clamp (pkg of 10)..... \$3.42  
 PN 8082 3/4" Cable Clamp (pkg of 10)..... \$4.56  
 PN 8090 1 1/4" Cable Clamp (pkg of 10)..... \$9.00



## Low Profile X-ray Switch w/ Stainless Plate



PN 7134 Low Profile X-ray Switch w/ Stainless Plate.....\$62.10

- Recessed button prevents accidental exposure

## Economy X-Ray Exposure Switch Kits



7116



PN 7116 X-Ray Exposure Switch Kit, Stainless Steel.....\$27.00  
 PN 7322 X-Ray Exposure Switch Kit, White.....\$27.00  
 PN 7324 X-Ray Exposure Switch Kit, Almond.....\$27.00

- Includes exposure switch & mounting plate
- Push button normally open switch
- Fits standard single gang electrical box
- Includes mounting hardware

## Universal X-Ray Exposure Switch



PN 7109 X-Ray Exposure Switch.....\$7.80

- Push button normally open
- Screw terminals
- Single pole / single throw
- 3/4 amp 125V AC/DC

## Deluxe X-Ray Exposure Switch Kits



7326



PN 7325 Deluxe X-Ray Exposure Switch Kit, Stainless Steel.....\$112.90  
 PN 7326 Deluxe X-Ray Exposure Switch Kit, White.....\$122.70  
 PN 7328 Deluxe X-Ray Exposure Switch Kit, Almond.....\$122.70

- Audible actuation
- 2 wire connection
- Fits standard single gang electrical box
- Includes mounting hardware
- Replaces Gendex 46-197334G6

## Deluxe X-Ray Exposure Switch



PN 7329 Deluxe X-Ray Exposure Switch.....\$103.50

- Normally Open
- Gendex P/N 46-197311P1
- Fits Gendex 770, 900, 1000, 765DC Pan small control

### FEATURED



NEW ITEMS

### X-Ray Exposure Switch Mounting Plate

PN 8115	Cover Plate, Stainless Steel.....	\$9.40
PN 7330	Cover Plate, White.....	\$12.50
PN 7332	Cover Plate, Almond.....	\$12.50

- Used w/ x-ray exposure switch 7109
- 1/2" diameter hole
- Laser etched



### Universal Toggle Switch

PN 8699	(Ritter/Knight #WO-34566).....	\$12.50
---------	--------------------------------	---------

- For use w/ Castle & Ritter lights
- 10 amp, 125 VAC



### Fuse Holder

PN 2862	Fuse Holder.....	\$26.40
---------	------------------	---------



### Lever Nut Connector

PN 9356	Wago Lever Nut Connector, (Pkg of 10).....	\$14.00
---------	--	---------



### Sub Miniature Toggle Switch

PN 7082	Toggle Switch.....	\$10.50
---------	--------------------	---------

- Rated for 5 amp at 125 VAC
- Single pole, double throw



### Low Voltage Electrical Cable

PN 8110	8-Conductor Wire (per ft.).....	\$2.59
---------	---------------------------------	--------

- 8 Conductor
- 22 Gauge wires





9280

### Hospital Grade Cords & Plugs

PN **9280** Hospital Grade Right Angle Cord #18 Gauge, IEC Style, 10' long..... **\$25.90**



9281

PN **9281** Hospital Grade Straight Cord #18 Gauge, Bare Wires, 8' long..... **\$21.00**



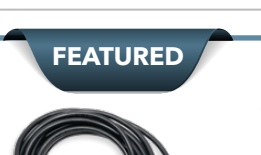
9282

PN **9282** Hospital Grade Straight Cord #16 Gauge, IEC Style, 10' long..... **\$35.20**



8111

PN **8111** Hospital Grade Plug Straight "Male"..... **\$17.60**



8113

PN **8113** Hospital Grade Plug Straight "Female"..... **\$25.90**



8112

PN **8112** Hospital Grade Plug Right Angle "Male"..... **\$22.80**

### FEATURED

### Standard Power Cords



9270

**NEW** PN **9270** Straight Cord #16 Gauge, 15'..... **\$31.10**



9283

PN **9283** Right Angle Cord #16 Gauge, 7.5'..... **\$14.50**



9284

PN **9284** Straight Cord #16 Gauge, 7.5'..... **\$15.60**



9285

PN **9285** Straight Cord #16 Gauge, 6.5', Bare Wires..... **\$14.50**



### 15 ft. Black Extension Cord

PN **9279** Electrical Extension Cord..... **\$31.10**



### 8 ft. Black Extension Cord

PN **8472** Electrical Extension Cord..... **\$21.30**

- Used for light post extension kits



### Air / Electric Switches

**Air / Electric Switches** are available in 10 PSI and 25 PSI, open or closed and designed to give you control over the On/Off, and are OEM compatible.

**FEATURED**

### Air / Electric Switches

PN <b>7080</b>	25 PSI Normally Open.....	\$27.50
PN <b>7087</b>	25 PSI Normally Closed.....	\$27.50
PN <b>7084</b>	10 PSI Normally Open.....	\$25.40
PN <b>7089</b>	10 PSI Normally Closed.....	\$25.40

- 7080 & 7087 activated at 25 PSI
- 7084 & 7089 activated at 10 PSI
- 15/32-32 thread w/ nut
- On / off control of up to 120V, 5 amp
- 125 PSI max





**On / Off Control**

Air / Electric Switches empower you to control the On/Off of up to 120V, 5 amp.

**Range Of PSI**

Choose from Air / Electric Switches with activation at 10 or 25 PSI and can work up to a max of 125 PSI.

**Compatible With Multiple OEMs**

Easily operated by pressing the multi-function button.

**FEATURED****NEW****Electric Switch**

**PN 7102** Push Button..... **\$15.10**

- Rated for 5 amp at 125 VAC
- Normally closed, push button

## Valve Kit

PN 7143 Technician's Valve Kit.....\$683.10

### Kit includes:



7143

- PN 7012 Toggle Valve, On/Off, 2-Way, Gray, 3 ea.
- PN 7016 Toggle Valve, On/Off, 3-Way, Gray, 3 ea.
- PN 7052 Needle Valve w/Knob, Gray, 3 ea.
- PN 7021 Toggle Valve, Momentary, 2-Way, Normally Closed, Gray, 3 ea.
- PN 7026 Toggle Valve, Momentary, 3-Way, Normally Closed, Gray, 3 ea.
- PN 7027 Toggle Valve, Momentary Gray 3-Way, Normally Open, Gray, 3 ea.
- PN 7001 Toggle Routing Valve, 2-Way, Gray, 3 ea.
- PN 7151 Toggle Routing Valve, Side Ported, Gray, 3 ea.
- PN 7164 Rear Ported Valve, Valve, 3-Way, Side, Gray, 3 ea.
- PN 7038 Toggle Only, Momentary w/Pin Assy, Black, 3 ea.
- PN 7123 Toggle Only, Detented w/Pin, Black, 3 ea.
- PN 7039 Toggle Only, Momentary w/Pin Assy, Gray, 3 ea.
- PN 7124 Toggle Only, Detented w/Pin, Gray, 3 ea.
- PN 7014 Toggle Valve, Momentary, 2-Way w/Special Toggle, 3 ea.
- PN 7070 Air Pilot Valve, 2-Way, Normally Closed, 3 ea.
- PN 7166 Cup Filler Valve, Momentary, 2-Way, Gray, 3 ea.
- PN 5947 Holder Valve, Auto HP, Normally Open, Side Port, 5 ea.
- PN 5948 Holder Valve, Auto HP, Normally Closed, Side Port, 5 ea.
- PN 5989 Holder Valve, Auto HP, Normally Open, Rear Port, 5 ea.
- PN 5983 Holder Valve, Auto HP, Normally Closed, Rear Port, 5 ea.
- PN 7078 Valve Mounting Bracket, Single, 2 ea.
- PN 7140 Check Valve w/Ball, 1/16" Barb, 10 ea.
- PN 7060 Water Relay, Retracting, 3 ea.
- PN 7090 Shuttle Valve, 1/8", 5 ea.
- PN 8068 Storage Box, Plastic, 24 Compartment, 1 ea.

## Technicians Fittings Kit

PN 8781 Technician Fittings Kit.....\$248.40



**Kit includes:**

- PN 8885 12 Compartment Storage Box, 1 ea.
- PN 0072 10-32 Plastic Washers, 100 ea.
- PN 0077 1/16" Plated In-Line Metal Barb, 10 ea.
- PN 0078 1/8" Plated In-Line Barb, 10 ea.
- PN 0198 1/8" Plastic Clamp Sleeve, 100 ea.
- PN 0197 1/4" Plastic Clamp Sleeve, 25 ea.
- PN 0064 10-32 Female Cross, 10 ea.
- PN 0065 10-32 Female Tee, 10 ea.
- PN 0189 10-32 Plug, 50 ea.
- PN 0187 10-32 1/16" Metal Barb, 50 ea.
- PN 0188 10-32 1/8" Metal Tee, 50 ea.
- PN 0951 1/16" Metal Tee, 20 ea.
- PN 0952 1/16" Metal Cross, 20 ea.

## Dentist's Emergency Repair Kit

PN 8071 Dentist's Emergency Repair Kit.....\$67.30



8071



0071



0070

**Kit includes:**

- PN 0070 1/4" Plastic Sleeve, 10 ea.
- PN 0071 1/8" Plastic Sleeve, 10 ea.
- PN 0023 1/4" Poly Sleeve, 5 ea.
- PN 0021 1/4" Poly Nut & Sleeve, 2 ea.
- PN 0072 10-32 Plastic Washer, 20 ea.
- PN 0075 10-32 x 1/8" Plated Barb, 5 ea.
- PN 0074 10-32 x 1/16" Plated Barb, 5 ea.
- PN 0077 1/16" Plated In-Line Barb, 3 ea.
- PN 0078 1/8" Plated In-Line Barb, 3 ea.
- PN 0082 1/16" Plastic Tee, 2 ea.
- PN 0083 1/8" Plastic Tee, 2 ea.
- PN 0124 HP Gasket, Midwest 5-Hole, 2 ea.
- PN 2254 O-Ring, HVE Top, 6 ea.
- PN 2253 O-Ring, HVE Barrel, 6 ea.
- PN 2256 O-Ring, Saliva Ejector Barrel, 6 ea.
- PN 2201 O-Ring, A-dec® Style Syringes, 3 ea.
- PN 2203 O-Ring, Std. Syringe Button, 3 ea.
- PN 2255 O-Ring, Syringe Tip, 3 ea.
- PN 2267 O-Ring, Syringe Button, 3 ea.
- PN 8621 Tubing Stripper Tool, 1 ea.
- PN 8054 4" Cable Tie, 10 ea.
- PN 5754 Saliva Ejector Tip, Gray, 1 ea.
- PN 8072 Plastic Storage Box, 17 Compartment

- Use for repair of minor problems occurring most frequently in dental units

A-dec® is a registered trademark of A-dec, Inc. These parts are manufactured by DCI to fit A-dec® equipment. DCI has no affiliation with A-dec and A-dec has not authorized DCI replacement parts to be used on or in connection with A-dec® products.



8095

- 18 Common fast acting fuses conveniently packed in an 18 compartment plastic storage box
- UL approved fuses

## Fast Acting Kit & Fuses

PN 8095 Fast Acting Fuse Kit ..... \$145.90

### Kit includes:

PN 8836	1/8A, 250V, 5 ea.	PN 8847	5A, 250V, 5 ea.
PN 8837	1/4A, 250V, 5 ea.	PN 8848	6A, 250V, 5 ea.
PN 8838	1/2A, 250V, 5 ea.	PN 8849	8A, 250V, 5 ea.
PN 8839	3/4A, 250V, 5 ea.	PN 8850	10A, 250V, 5 ea.
PN 8840	1A, 250V, 5 ea.	PN 8851	15A, 32V, 5 ea.
PN 8841	1-1/4A, 250V, 5 ea.	PN 8852	25A, 32V, 5 ea.
PN 8842	1-1/2A, 250V, 5 ea.	PN 8853	30A, 32V, 5 ea.
PN 8843	2A, 250V, 5 ea.	PN 8884	Plastic Storage Box Only, 18 Compartment
PN 8844	2-1/2A, 250V, 5 ea.		
PN 8845	3A, 250V, 5 ea.		
PN 8846	4A, 250V, 5 ea.		



8086

- 18 Common time delay fuses conveniently packed in an 18 compartment plastic storage box
- UL approved fuses

## Time Delay Fuse Kit & Fuses

PN 8086 Time Delay Fuse Kit ..... \$231.90

### Kit includes:

MDL Glass		MDA Ceramic	
PN 8821	1/10A, 250V, 5 ea.	PN 8886	6A, 250V, 5 ea.
PN 8822	1/4A, 250V, 5 ea.	PN 8887	8A, 250V, 5 ea.
PN 8823	1/2A, 250V, 5 ea.	PN 8888	10A, 250V, 5 ea.
PN 8824	1A, 250V, 5 ea.	PN 8833	12A, 250V, 5 ea.
PN 8825	1-1/2A, 250V, 5 ea.	PN 8834	15A, 250V, 5 ea.
PN 8826	2A, 250V, 5 ea.	PN 8835	20A, 250V, 5 ea.
PN 8827	2-1/2A, 250V, 5 ea.	PN 8884	Plastic Storage Box, 18 Compartment
PN 8828	3A, 250V, 5 ea.		
PN 8829	4A, 250V, 5 ea.		
PN 8830	5A, 250V, 5 ea.		
PN 8831	6-1/4A, 250V, 5 ea.		
PN 8832	15A, 32V, 5 ea..		



8092

- 18 Commonly used wire connectors & wire nuts conveniently packaged in an 18 compartment plastic storage box

## Crimp On Wire Connector Kit

PN 8092 Crimp-On Wire Connector & Wire Nut Kit ..... \$118.00

### Kit includes 20 ea.:

PN 8854	#6 Ring, Non-Insulated, 22-18 AWG
PN 8855	#4 Ring, Insulated, 22-18 AWG
PN 8856	#6 Ring, Insulated, 22-18 AWG
PN 8857	#8 Ring, Insulated, 22-18 AWG
PN 8858	#6 Ring, Insulated, 16-14 AWG
PN 8859	#8 Ring, Insulated, 16-14 AWG
PN 8860	#10 Ring, Insulated, 16-14 AWG
PN 8861	#6 Spade, Insulated, 16-14 AWG
PN 8862	#8 Spade, Insulated, 16-14 AWG
PN 8863	#10 Spade, Insulated, 16-14 AWG
PN 8864	Butt Connector, Insulated, 22-18 AWG
PN 8865	Butt Connector, Insulated, 16-14 AWG
PN 8866	Pig Tail, Insulated, 22-14 AWG
PN 8867	Pig Tail, Insulated, 8-10 AWG
PN 8868	Q.D., .250 Female, Insulated, 16-14 AWG
PN 8869	Q.D., .250 Male, Insulated, 16-14 AWG

### Kit includes 15 ea.:

PN 8870  
Wire Nut, 22-14 AWG,

### Kit includes 5 ea.:

PN 8871  
Wire Nut, 18-10 AWG,

### Kit includes 1 ea.:

PN 8884  
Plastic Storage Box only, 18 Compartment

## O-Rings

\* Asterisk designates O-Rings  
included in DCI kit 8067

Std P/N	DCI Part No.	Pkg 12 Retail	A-dec* Cross Ref.	Material	Fractional Dimension	I.D. x Cross Section
* -001	2225	\$3.01	030.001.00	buna-n	1/32	.029 x .040
* -002	2230	\$3.01	030.002.00	buna-n	3/64	.042 x .050
-002	2261	\$5.90	034.002.00	viton	3/64	.042 x .050
	2255	\$3.52		buna-n	3/64	.053 x .064
	2252	\$8.40		viton	3/64	.053 x .064
* -003	2201	\$3.01	030.003.00	buna-n	1/16	.056 x .060
* -003	2305	\$3.01	034.003.00	viton	1/16	.056 x .060
	2220	\$5.10		buna-n	1/16	.057 x .040
	2204	\$9.90		buna-n	1/16	.065 x .035
* -004	2211	\$3.01	035.025.00	buna-n	5/64	.070 x .040
	2263	\$8.40	035.050.00	viton	5/64	.070 x .040
	2229	\$3.01	030.004.00	buna-n	5/64	.070 x .070
	2217	\$5.20		buna-n	5/64	.075 x .035
	2266	\$9.90		viton	5/64	.081 x .103
	2267	\$3.01		buna-n	5/64	.081 x .103
	2218	\$3.01		buna-n	3/32	.085 x .055
* -005	2231	\$3.01	030.005.00	buna-n	7/64	.101 x .070
* -006	2203	\$3.01	030.006.00	buna-n	1/8	.114 x .070
* -006	2242	\$6.30	035.048.00	viton	1/8	.114 x .070
	2293	\$3.01		buna-n	1/8	.128 x .050
	2262	\$9.10		viton	1/8	.129 x .050
	2282	\$12.00		viton	1/8	.136 x .040
	2271	\$7.30		buna-n	9/64	.144 x .025
* -007	2232	\$3.01	030.007.00	buna-n	5/32	.145 x .070
-007	2280	\$3.01		viton	5/32	.145 x .070
	2208	\$4.14		buna-n	3/16	.172 x .037
	2209	\$5.70		buna-n	3/16	.176 x .050
	2281	\$16.60		viton	3/16	.176 x .066
* -008	2205	\$3.01	030.008.00	buna-n	3/16	.176 x .070
* -009	2212	\$3.01		buna-n	3/16	.180 x .040
	2264	\$8.40		viton	3/16	.180 x .040
	2298	\$16.10	034.107.00	ethylene propylene	7/32	.206 x .103
	2309	\$8.50		viton	7/32	.206 x .103
* -009	2233	\$3.01	030.009.00	buna-n	7/32	.208 x .070
* -010	2214	\$3.01	030.010.00	buna-n	1/4	.239 x .070
-010	2256	\$8.50		viton	1/4	.239 x .070
* -011	2244	\$8.50	035.004.00	buna-n	1/4	.240 x .033
	2247	\$5.10		buna-n	1/4	.248 x .048
* -012	2202	\$3.01		buna-n	1/4	.250 x .032
	2259	\$8.40		viton	1/4	.250 x .032
	2260	\$8.10		buna-n	17/64	.270 x .070
	2285	\$11.40		viton	19/64	.300 x .050
* -011	2234	\$3.01	030.011.00	buna-n	5/16	.301 x .070

A-dec® is a registered trademark of A-dec, Inc. DCI has no affiliation with A-dec and A-dec has not authorized DCI replacement parts to be used on or in connection with A-dec® products.

## O-Rings *(continued)*

Std P/N	DCI Part No.	Pkg 12 Retail	A-dec® Cross Ref.	Material	Fractional Dimension	I.D. x Cross Section
	2269	\$3.21		viton	5/16	.301 x .070
	2268	\$13.50		viton	21/64	.323 x .035
* -110	2241	\$3.01	030.110.00	buna-n	3/8	.362 x .103
* -012	2210	\$3.01	030.012.00	buna-n	3/8	.364 x .070
	2257	\$8.50	034.012.00	viton	3/8	.364 x .070
* -013	2207	\$3.01	030.013.00	buna-n	7/16	.426 x .070
	2254	\$8.50	034.013.00	viton	7/16	.426 x .070
	2289	\$3.0		buna-n	7/16	.426 x .526
	2284	\$21.80		viton	7/16	.438 x .110
	2206	\$3.01		buna-n	7/16	.447 x .052
	2253	\$8.50		viton	7/16	.447 x .052
* -014	2228	\$3.01	034.014.00	ethylene propylene	1/2	.489 x .070
* -014	2243	\$8.50	033.014.00	viton	1/2	.489 x .070
* -015	2235	\$3.01	030.015.00	buna-n	9/16	.551 x .070
* -016	2236	\$3.01	030.016.00	buna-n	5/8	.614 x .070
* -017	2237	\$3.01	030.017.00	buna-n	11/16	.676 x .070
* -018	2215	\$3.01	030.018.00	buna-n	3/4	.739 x .070
	2297	\$3.11		buna-n	13/16	.799 x .103
* -019	2238	\$3.01	030.019.00	buna-n	13/16	.801 x .070
* -020	2223	\$3.01	030.020.00	buna-n	7/8	.864 x .070
	2224	\$3.83		buna-n	15/16	.924 x .103
	2270	\$3.01	030.021.00	buna-n	15/16	.926 x .070
* -023	2239	\$3.01	030.023.00	buna-n	1-1/16	1.051 x .070
	2221	\$4.04		buna-n	1-55/64	1.86 x .070
	2246	\$6.50		buna-n	2-7/64	2.109 x .139
* -034	2240	\$4.04	030.034.00	buna-n	2-1/8	2.114 x .070
* Quad-Ring	2245	\$14.50	035.003.00	buna-n	1/32	.029 x .040

\* Asterisk designates O-Rings included in DCI kit #8067



8067



8068

### O-Ring Kit

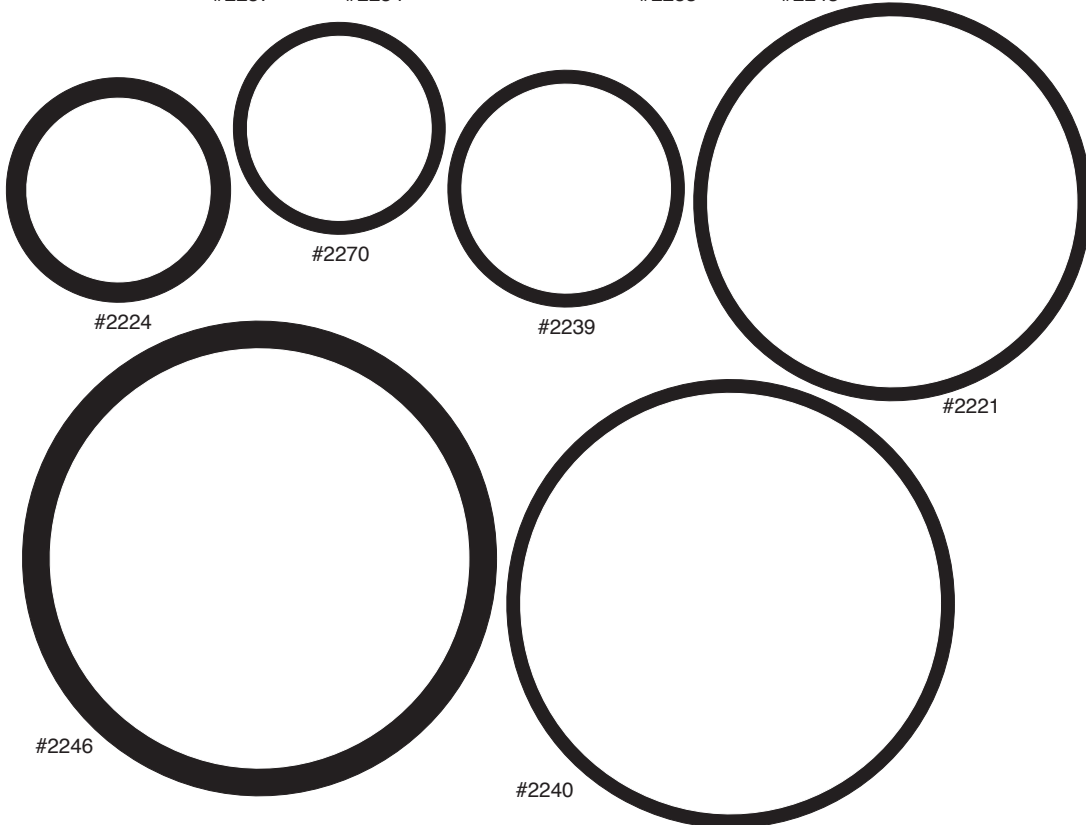
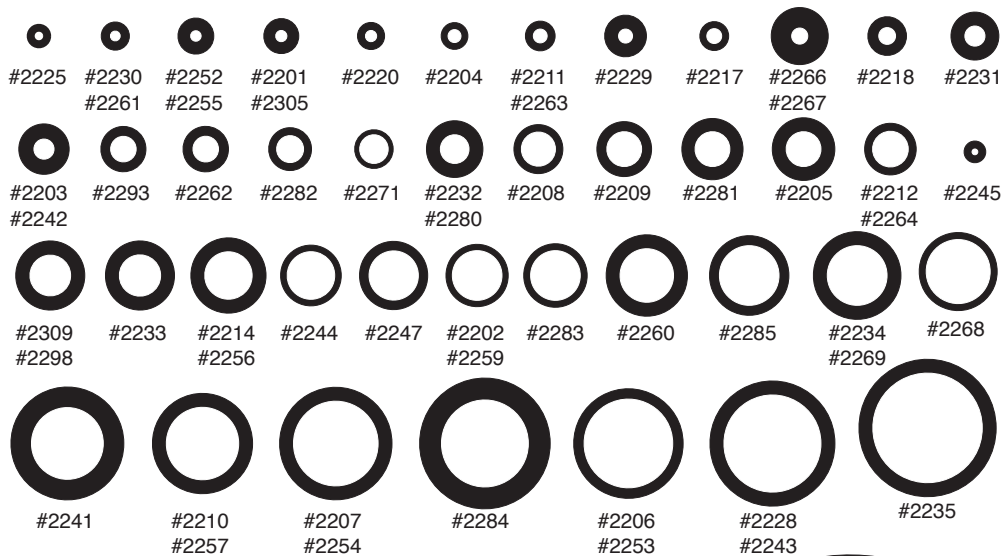
PN **8067** O-Ring Kit..... **\$98.40**

PN **8068** Plastic Box Only..... **\$42.70**

- The kit contains 30 different O-Rings in packages of 12 each, totaling 360 O-Rings
- The O-Rings come conveniently packaged in a 24 compartment plastic storage box
- Items above marked with "\*" are included in kit

A-dec® is a registered trademark of A-dec, Inc. These parts are manufactured by DCI to fit A-dec® equipment. DCI has no affiliation with A-dec and A-dec has not authorized DCI replacement parts to be used on or in connection with A-dec® products.







2493

## Scavenger Accessories

PN **2493** Vacuum Connection Kit Only, (MDT #3-71-0902-30).....**\$131.00**

- 3/8" I.D. tubing, contains Latex



2454

PN **2454** Corrugated Breathing Tube (MDT#3-70-0389-10).....**\$141.30**



2496

## Nasal Hood Tubing

PN **2496** Inlet Tubing 30" L x 9/16" O.D. x 3/8" I.D.....**\$39.40**

PN **2460** Outlet Tubing 30" L x 1/2" O.D. x 1/4" I.D.....**\$42.00**



## H Style Scavenger Connector

PN **2640** H Style Scavenger Connector (MDT #3-71-0895-10).....**\$29.90**

- For use on Scavenger Systems
- Clear plastic for tubing hook-up



## Exhalation Valve

PN **2516** Exhalation Valve (MDT #3-71-0335-30).....**\$53.40**

- For exhalation of used gases
- Used on Nasal Hoods MDT #31-0187-31 & MDT #3-71-0185-30



## Breathing Bag 3 Liter

PN **2504** 3 Liter Bag (MDT #3-71-0172-10).....**\$88.00**

- Slip on style
- Latex free
- 7/8" I.D.





## Mouth Props



2434

Rubber over brass construction

No latex used

Gray, sterilizable

Box of 2 each

Autoclavable



2435



PN <b>2433</b>	Small Pedo, (MDT #3-71-0981-20).....	<b>\$32.50</b>
PN <b>2434</b>	Child, (MDT #3-71-0982-20).....	<b>\$51.80</b>
PN <b>2435</b>	Adult, (MDT #3-71-0983-20).....	<b>\$51.80</b>
PN <b>2436</b>	Large Adult, (MDT #3-71-0984-20).....	<b>\$51.80</b>
PN <b>2437</b>	Edentulous, (MDT #3-71-0985-20).....	<b>\$93.20</b>

## Oxygen & Nitrous Oxide Hoses



2530

PN <b>2530</b>	Oxygen Hose (MDT #3-71-3709-30).....	<b>\$32.10</b>
PN <b>2524</b>	Nitrous Oxide Hose (MDT #3-71-3708-30).....	<b>\$101.50</b>

- 5' length
- DISS to DISS
- Includes female DISS connectors
- Portable cart to tank regulator

## Tapmaster® Kick Plate Activated Faucet Control



PN 1555 Tapmaster® Kick Plate.....\$569.30

- Mixes hot & cold water
- Foot activated stainless steel kick plate
- Light touch activation & lock on feature
- Includes all necessary hardware

## Tapmaster® Cabinet Door Activated Faucet Control



PN 1550 Tapmaster® Door Activated.....\$525.00

- Mounts to sink cabinet door
- No electricity required
- Light touch activation

1560

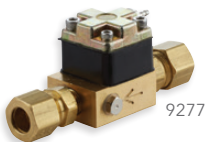


## Tapmaster® Repair Parts

PN 1560 Valve Block Service Kit.....\$77.70

PN 1561 Replacement Pilot Valve w/ Button Actuator.....\$217.40

1561



9277

## Faucet Activating Controls

PN 9277 Air Actuated Water Shut Off Valve (A-dec® #34.0036.00).....\$67.30

- For Preference Collection® & Preference® II sinks



7831

PN 7831 Valve, Roller (SST), 3-Way, Momentary, N.C. (A-dec® #026.096.00).....\$18.90

- For door and foot-activated water dispenser

A-dec®, Preference Collection® and Preference® are registered trademarks of A-dec, Inc. These parts are manufactured by DCI to fit A-dec® equipment. DCI has no affiliation with A-dec and A-dec has not authorized DCI replacement parts to be used on or in connection with A-dec® products.



## Combined Sharps & Waste Chute



PN **6804** Sharps & Waste Chute..... \$455.40

- Easy change bag holder
- Fits counters up to 1"
- Can be under mounted
- Includes lid & 6803 sharps container
- Direct replacement for Pelton & Crane® cabinets

## Thru Counter Sharps Container



PN **6802** Counter Mount Sharps Container..... \$287.80

PN **6803** Replacement Containers..... \$21.80

- Holds 1.7 qt. sharps container
- Includes lid & 6803 sharps container
- Direct replacement for Pelton & Crane® cabinets
- 5" I.D. x 11" tall

## Replacement Sharps Containers



6803

6820

PN **6803** Replacement Containers (1.7 Qt.)..... \$21.80

PN **6820** Replacement Containers (6.2 Qt.)..... \$27.00

## Waste Chute



6800

PN **6800** 4" Waste Chute..... \$160.00

PN **6801** 6" Waste Chute..... \$213.30

- Easy change bag holder
- Fits counters up to 1"
- Can be under mounted
- Direct replacement for Pelton & Crane® cabinets

## 6" Stainless Steel Waste Bezels



6806

PN **6805** Stainless Steel Waste Bezel 2" Tall..... \$59.00

PN **6806** Stainless Steel Waste Bezel 5 1/4" Tall..... \$66.30

- Rolled top edge
- 6" I.D.



### Drawer Push Latch

PN **6807** Drawer Push Latch w/ Screws (A-dec® #55.1934.00)..... **\$20.20**



### Waste Door Opener

PN **6808** Waste Door Opener..... **\$101.50**

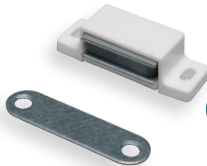


### Magnetic Pressure Catch

PN **6812** Magnetic Pressure Catch - Single Door..... **\$2.18**

PN **6813** Magnetic Pressure Catch - Double Door..... **\$2.90**

#### FEATURED



### Magnetic Catch

**NEW** PN **68906** Magnetic Catch, 4-5KG Pull..... **\$5.00**



### Counter Top Mounted HVE's

PN **5781** Chrome Bezel..... **\$160.00**

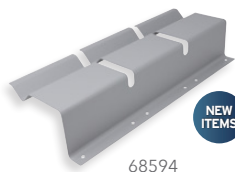
PN **5782** Nickel Bezel..... **\$160.00**

- For mounting HVE in the top of a cabinet (sterilization, lab)
- Includes colored bezel, premium HVE valve, tubing & canister

A-dec® is a registered trademark of A-dec, Inc. These parts are manufactured by DCI to fit A-dec® equipment. DCI has no affiliation with A-dec and A-dec has not authorized DCI replacement parts to be used on or in connection with A-dec® products.



**FEATURED**



68594

NEW  
ITEMS

**Glove dispensers, Dark Gray**

PN 68592 Single.....	\$60.00
PN 68593 Dual.....	\$70.00
PN 68594 Triple.....	\$70.00

**FEATURED**



68284

NEW

**Towel & Cup Dispensers**

PN 68284 Towel/Cup Dispenser.....	\$400.00
-----------------------------------	----------

**FEATURED**



68285

NEW

**Glove Dispenser, Grommet**

PN 68285 Grommet, Oval, Black.....	\$60.00
------------------------------------	---------

**FEATURED**



6822

NEW

**Sanitizer Wipes Holder**

PN 6822 Holder Assy, Sanitizer Wipes, White.....	\$30.00
--	---------

### FEATURED



### Glass Shelf Support

**NEW** PN 68372 Support, Glass Shelf, 5mm, Nickel Plated.....\$3.00

### FEATURED



### Panel-Mounted USB Hub

**NEW** PN 68412 USB Dual Hub, Panel Mount, 3.0.....\$50.00

### FEATURED



### USB Fan

**NEW** PN 68477 Fan, USB, 80mm.....\$100.00



### Delta Soap Dispensers

PN 9302 Chrome Soap Dispenser.....\$102.50

PN 9310 Replacement Bottle.....\$33.20

- Easy refill through counter w/ funnel (included)
- Accommodates counters up to 1 1/2"



# Delivery System Parts



228-250

Parts to fit A-dec®



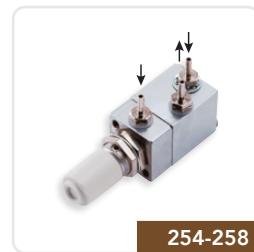
251-252

Parts to fit Dentech



253

Other OEM Parts



254-258

Parts to fit  
P&C/Marus

A-dec® is a registered trademark of A-dec®, Inc. These parts are manufactured by DCI to fit A-dec® equipment. DCI has no affiliation with A-dec® and A-dec® has not authorized DCI replacement parts to be used on or in connection with A-dec® products.

## Arm Mounted Automatic Control Unit

**The Arm Mounted Automatic Control Unit** features a new, simplified design with straightforward internals such as a single diaphragm control block without any moving pistons, springs, or O-rings and a simple combination valve for water flow control. This unit is a direct replacement for A-dec® Cascade® models.



4378

### FEATURED

NEW

## Arm Mounted Automatic Control Unit

PN **4378** Arm Mounted Automatic Control Unit for 3 HP,  
Surf, to fit A-dec® Cascade® ..... **\$1,242.00**

- Replacement for A-dec® Cascade®
- Color matched 12 ft. umbilical
- Individual Non-retracting Water Coolant
- Includes Precision Comfort® Syringe
- Quick Install

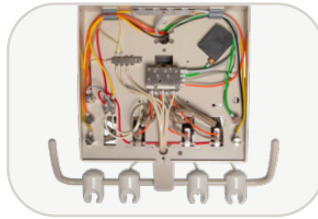
A-dec® and Cascade® are registered trademarks of A-dec®, Inc. These parts are manufactured by DCI to fit A-dec® equipment. DCI has no affiliation with A-dec® and A-dec® has not authorized DCI replacement parts to be used on or in connection with A-dec® products.





**Direct Replacement**

PN 4378, Arm-Mounted Automatic Control Unit is a direct replacement for all Cascade® models with a 2" head mount. The smooth asepsis design, sand color, and standard features make it perfect for replacing a standard Cascade® unit.

**Simplified Design**

The simplified design adds individual holders for easier upkeep and a more reliable robust mount.

**Matching Features**

This three HP automatic unit comes with an air/water syringe, individual water flow control, chip air adjustment, flush system, and brake activation on the left and right side of the head.

**TECH TIP****DID YOU KNOW that the Arm Mounted Automatic Control Unit comes standard with a full length 12' umbilical?**

If the original umbilical is damaged, string the new one to the junction box or cut the umbilical short. Then, match the colors and align them together at the upper 2" control mount.



4378

A-dec® and Cascade® are registered trademarks of A-dec®, Inc. These parts are manufactured by DCI to fit A-dec® equipment. DCI has no affiliation with A-dec® and A-dec® has not authorized DCI replacement parts to be used on or in connection with A-dec® products.

**Gaskets & Diaphragms to fit A-dec®  
Century® Pac Control Systems**



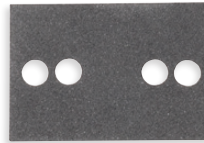
**PN 9413** ..... **\$9.90**  
 (A-dec® #38.0120.01) (pkg of 5)  
 Fits Century® Pac Control System



**PN 9412** ..... **\$7.80**  
 (A-dec® #38.0118.01) (pkg of 5)  
 Fits Century® Pac Control System



**PN 9411** ..... **\$3.73**  
 Clear Auto Block Gasket  
 (A-dec® #29.0050.01) (pkg of 5)  
 Auto Block Gasket -  
 Auto Pac controls



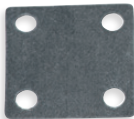
**PN 9003** ..... **\$8.30**  
 Diaphragm for Valve  
 (A-dec® #22.0770.00)  
 (A-dec® #22.0774.01) (pkg of 10)  
 Used in Handpiece Control Valve



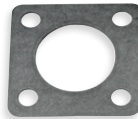
**PN 9002** ..... **\$14.50**  
 Pilot Valve Diaphragm (1" square)  
 (A-dec® #22.0440.02) (pkg of 10)  
 Used in Coolant Air & Water  
 Valve, Auto Pac, Air Operated  
 Shut-off Valves, Black (Water)  
 & White (Air) Regulator Assembly



**PN 9004** ..... **\$6.40**  
 Gasket 9-Hole  
 (A-dec® #24.0137.01) (pkg of 10)



**PN 9012** ..... **\$14.00**  
 Diaphragm Top (3/4" square)  
 (A-dec® #38.0054.02) (pkg of 10)



**PN 9005** ..... **\$7.70**  
 5-Hole Gasket  
 (A-dec® #24.0136.01) (pkg of 10)

A-dec® and Century® are registered trademarks of A-dec®, Inc. These parts are manufactured by DCI to fit A-dec® equipment. DCI has no affiliation with A-dec® and A-dec® has not authorized DCI replacement parts to be used on or in connection with A-dec® products.

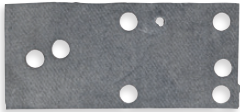
### Diaphragms & Gaskets to fit A-dec® Century Plus®



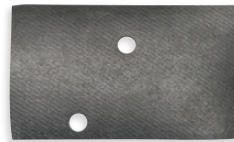
PN 9157 ..... \$16.60  
"RED" Scaler Block Gasket  
(A-dec® #38.0550.01) (pkg of 5)



PN 9158 ..... \$10.40  
"CLEAR" Handpiece Block Gasket  
(A-dec® #38.0507.01) (pkg of 10)



PN 9161 ..... \$14.50  
Handpiece Block Cap Diaphragm  
(A-dec® #38.0519.01) (pkg of 10)



PN 9320 ..... \$17.60  
Fiber Optic Light Source Diaphragm  
(A-dec® #75.0911.01) (pkg of 5)

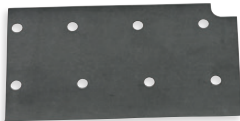
### Gasket to fit A-dec® Century® II Control Head Supply Manifold



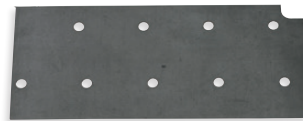
PN 9410 ..... \$8.30  
Manifold Gasket  
(A-dec® #35.0574.01) (pkg of 5)

- Fits 11 port tubing manifold

### Diaphragms to fit A-dec 300® & 500® Series Control Blocks



PN 9308 ..... \$21.30  
Diaphragm to fit A-dec® 300  
(A-dec® #38.1833.01) (pkg of 5)



PN 9309 ..... \$21.30  
Diaphragm to fit A-dec® 500  
(A-dec® #38.1787.01) (pkg of 5)

Not shown in actual size.

A-dec®, Century Plus®, Century II®, A-dec 300® and A-dec 500® are registered trademarks of A-dec®, Inc. These parts are manufactured by DCI to fit A-dec® equipment. DCI has no affiliation with A-dec® and A-dec® has not authorized DCI replacement parts to be used on or in connection with A-dec® products.

**Parts to fit A-dec® Recirculator**

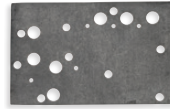
**Diaphragm to fit  
A-dec® Vacuum Drain**



9318

**PN 9318**.....\$24.60  
Diaphragm  
(A-dec® #40.0756.01) (pkg of 5)

**Diaphragm to fit A-dec®  
Performer® Control Block**



**PN 9319**.....\$13.50  
Diaphragm  
(A-dec® #38.0711.01) (pkg of 5)



**Service Kit to fit A-dec®  
Century Plus® Control Block**

**PN 9154** Service Kit (A-dec® #38.0537.01).....\$103.50

**Kit includes:**

PN 9167	Air Bleed Cartridge	(A-dec® #38.0517.00)	\$22.30
PN 9168	Check Valve Cartridge	(A-dec® #38.0518.00)	\$33.70
PN 9169	Water Coolant Cartridge	(A-dec® #38.0520.00)	\$63.20
PN 2225	O-Ring	(A-dec® #030.001.00)	\$3.01
PN 2230	O-Ring	(A-dec® #030.002.00)	\$3.01
PN 9157	Red Gasket	(A-dec® #38.0550.01)	\$16.60
PN 9158	Clear Gasket	(A-dec® #38.0507.01)	\$10.40
PN 9257	Water Stem	(A-dec® #38.0516.00)	\$7.00
PN 9311	Drive Air Stem	(A-dec® #38.0510.00)	\$8.30
PN 9161	Diaphragm	(A-dec® #38.0519.01)	\$14.50
PN 9312	Cap Assy.	(A-dec® #38.0511.00)	\$55.90

*A-dec®, Performer®, Century® and Century Plus® are registered trademarks of A-dec®, Inc. These parts are manufactured by DCI to fit A-dec® equipment. DCI has no affiliation with A-dec® and A-dec® has not authorized DCI replacement parts to be used on or in connection with A-dec® products.*



### Tie Bolts to fit A-dec® Century Plus® Blocks

PN 9114	3 Block Tie Bolt Kit (A-dec® #38.0504.07)	\$25.40
PN 9116	4 Block Tie Bolt Kit (A-dec® #38.0504.08)	\$27.50
PN 9115	5 Block Tie Bolt Kit (A-dec® #38.0504.09)	\$29.50

- Includes two bolts, two washers & two nuts



### Service Kit for A-dec® Century® Water Coolant Valve

PN 9070	Service Kit	\$23.30
PN 9068	End Cap Assy (A-dec® #38.0106.00)	\$7.30
PN 9069	Piston Assy (A-dec® #38.0104.00)	\$6.80
PN 9067	Needle Valve Stem (A-dec® #38.0102.00)	\$8.80

**Kit includes:**

PN 3090	Valve Core	(A-dec® #026.033.01)	\$7.30
PN 9067	Stem	(A-dec® #38.0102.00)	\$8.80
PN 9025	Truss Hd Screw	(A-dec® #001.002.01)	\$3.59
PN 9066	Compr. Spring	(A-dec® #22.0580.00)	\$4.35
PN 9068	End Cap	(A-dec® #38.0106.00)	\$7.30
PN 9069	Piston	(A-dec® #38.0104.00)	\$6.80
PN 9065	Set Screw	(A-dec® #007.001.00)	\$0.32
PN 9062	Soc Hd Cap Scr	(A-dec® #002.024.00)	\$9.40
PN 2203	O-Ring	(A-dec® #030.006.02)	\$3.01



#### TECH TIP

1

When servicing the Century® water coolant valve, first remove the set screw from the rear of the end cap.

2

Next, remove the top screw that retains the end cap and screw the top screw into the back of the end cap where the set screw had been. Now the end cap will pull out easily.

3

The set screw in the piston can then be removed and the top screw installed in its place to remove it.

A-dec®, Century Plus® and Century® are registered trademarks of A-dec®, Inc. These parts are manufactured by DCI to fit A-dec® equipment. DCI has no affiliation with A-dec® and A-dec® has not authorized DCI replacement parts to be used on or in connection with A-dec® products.



**Check Valve Cartridge to fit  
A-dec® Century Plus®**

**PN 9168** Check Valve "Blue Base"  
(A-dec® #38.0518.00) (pkg of 3).....**\$33.70**



**Air Bleed Cartridge to fit A-dec® Century Plus®**

**PN 9167** Air Bleed "Brass Base"  
(A-dec® #38.0517.00) (pkg of 3).....**\$22.30**



**Water Valve Cartridge to fit  
A-dec® Century Plus®**

**PN 9169** Water Valve Cartridge "Red Base"  
(A-dec® #38.0520.00) (pkg of 3).....**\$63.20**



**Dry Block Kit to fit A-dec® Century Plus®**

**PN 9315** Dry Block Kit  
(A-dec® #38.0648.00).....**\$29.50**

- Black Base
- Contains 2 plugs (one water, one check valve)



**Adjustment Keys to fit A-dec®  
Cascade®/Decade® Control Blocks**

**PN 9324** Adjustment Key  
(A-dec® #98.0867.02) (pkg of 5).....**\$19.70**

- Autoclavable adjustment keys for handpiece controls

Adec®, Century Plus®, Cascade® and Decade® are registered trademarks of A-dec®, Inc. These parts are manufactured by DCI to fit A-dec® equipment. DCI has no affiliation with A-dec® and A-dec® has not authorized DCI replacement parts to be used on or in connection with A-dec® products.



### Air Bleed Valves to fit A-dec® Handpiece Holders

PN 9151	Bleed Valve 2-Way Cascade® Unitized (A-dec® #33.0132.00), 90° Angle Barb.....	<b>\$28.50</b>
PN 9152	Bleed Valve 2-Way Excellence Holder (A-dec® #33.0025.00).....	<b>\$16.60</b>
PN 9153	Bleed Valve 2-Way Continental® Whip (A-dec® #33.0025.01).....	<b>\$16.60</b>

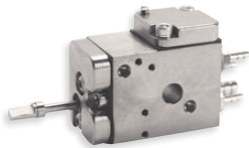


### Service Kit to fit A-dec® Century® II Control Block

PN 9052	Service Kit, (A-dec® #90.0321.00).....	<b>\$10.90</b>
---------	--	----------------

**Kit includes:**

PN 9012	Diaphragm Top (A-dec® #38.0054.02)	\$14.00
PN 9046	Diaphragm Front (A-dec® #38.0179.02)	\$6.30
PN 9007	Gasket Clear (A-dec® #38.0186.02)	\$10.40
PN 9027	Compr. Spring (A-dec® #013.025.00)	\$2.90
PN 9051	But Hd Soc Scr (A-dec® #002.097.00)	\$0.63
PN 9050	Stem (A-dec® #29.0831.00)	\$2.65
PN 2229	O-Ring (A-dec® #0030.004.02)	\$3.01



### Control Block to fit A-dec® Century® II

PN 9146	Control Block, (A-dec® #38.0223.02).....	<b>\$310.50</b>
---------	--	-----------------



### Holdback Valve Cover to fit A-dec® Century® II Control Block

PN 9328	Holdback Valve Cover w/Screws Only, (A-dec® #38.0178.00).....	<b>\$20.70</b>
---------	---	----------------



### Holdback Valve Cover Kit to fit A-dec® Century® II Control Block

PN 9147	Holdback Valve Cover Kit, (A-dec® #90.0304.00).....	<b>\$21.30</b>
---------	---	----------------



### Water Coolant Valve Cover Kit to fit A-dec® Century® II Control Block

PN 9148	Water Coolant Valve Cover Kit.....	<b>\$23.30</b>
	• Cover, diaphragm, piston & spring	

A-dec®, Cascade®, Excellence®, Continental® and Century® are registered trademarks of A-dec®, Inc. These parts are manufactured by DCI to fit A-dec® equipment. DCI has no affiliation with A-dec® and A-dec® has not authorized DCI replacement parts to be used on or in connection with A-dec® products.



**Needle Valve Stem to fit A-dec®  
 Century® II Air Coolant Cartridge**

PN **9180** Needle Valve Stem, (A-dec® #33.0117.00)..... **\$23.90**

- Fits (A-dec® #33.0101.00) cartridge housing



9019

**Needle Valve Stem to fit A-dec®  
 Century® II Water Coolant Valve**

PN **9019** Valve Stem, (A-dec® #33.0103.00)..... **\$8.80**

PN **9025** Valve Stem Retaining Truss Screw,  
 (A-dec® #001.002.01) (pkg of 10)..... **\$3.59**

- Fits Century® II control block & Century® II needle valve



**Drive Air Adjustment Screw to fit  
 A-dec® Century® II**

PN **9023** Drive Air Adjustment Screw,  
 (A-dec® #29.0100.00) (pkg of 3)..... **\$6.50**

- Fits Century® II control block, Pac control system,  
 handpiece control valve & Century® II master block



9117

**Tie Bolts to fit A-dec®  
 Century® II Control Blocks**

PN **9149** 3 Block Tie Bolt Kit, (A-dec® #38.0193.01)..... **\$21.30**

PN **9117** 4 Block Tie Bolt Kit, (A-dec® #38.0194.01)..... **\$21.30**

- Includes nut & washer

*A-dec® and Century® are registered trademarks of A-dec®, Inc. These parts are manufactured by DCI to fit A-dec® equipment. DCI has no affiliation with A-dec® and A-dec® has not authorized DCI replacement parts to be used on or in connection with A-dec® products.*





### Q.D. Plug to fit A-dec® Control Block

PN **9237** Q.D. Plug, (A-dec® #026.160.01) (pkg of 5)..... **\$20.70**



### Barb to fit A-dec® Silicone Handpiece Tubing

PN **9334** Q.D. Barb, 1/8" (A-dec® #026.174.01) (pkg of 5)..... **\$23.30**

PN **9335** Q.D. Barb, 3/16" (A-dec # 026.175.01) (pkg of 5)..... **\$23.30**



### Barb to fit A-dec® Vinyl Handpiece Tubing

PN **9337** Q.D. Barb, 1/8" (A-dec® #026.161.00)..... **\$3.63**

PN **9336** Q.D. Barb, 1/4" (A-dec® #023.088.00)..... **\$3.63**



### Cartridges & Diaphragms to fit A-dec 300® & 500® Control Blocks

PN **9305** Cartridge Retaining Ring,  
(A-dec® #38.1779.01) (pkg of 5)..... **\$7.50**

PN **9306** Dry Cartridge, (A-dec® #38.1783.00)..... **\$16.10**

PN **9307** Water Cartridge, (A-dec® #38.1780.00)..... **\$34.70**



PN **9308** Diaphragm to fit A-dec 300® Control Block  
(A-dec® #38.1833.01) (pkg of 5)..... **\$21.30**



PN **9309** Diaphragm to fit A-dec 500® Control Block  
(A-dec® #38.1787.01) (pkg of 5)..... **\$21.30**



### Adjustment Parts to fit A-dec® Control Blocks

PN **9314** Adjustment Keys to fit A-dec 500®  
(A-dec® #38.1808.01) (pkg of 4)..... **\$28.00**

- Key with O-Ring for air & water adjustment stems

PN **9323** Drive Air Adjustment Stem to fit A-dec 300®/500®  
(A-dec® #38.1785.01)..... **\$5.20**

PN **9313** Air Coolant Stem to fit A-dec 500®  
(A-dec® #38.0526.00)..... **\$8.30**

A-dec®, A-dec 300® and A-dec 500® are registered trademarks of A-dec®, Inc. These parts are manufactured by DCI to fit A-dec® equipment. DCI has no affiliation with A-dec® and A-dec® has not authorized DCI replacement parts to be used on or in connection with A-dec® products.



**Replacement A-dec® Toggle Valve  
Master Switch "Side Barb"**

PN 7155	Black Toggle Valve, (A-dec® #33.0048.03)	\$22.80
PN 7156	Gray Toggle Valve, (A-dec® #33.0048.04)	\$23.20



**Replacement A-dec® Routing Toggle Valve  
"Side Barb"**

PN 7150	Black Selector / Routing Valve, (A-dec® #33.0104.03)	\$51.80
PN 7151	Gray Selector / Routing Valve, (A-dec® #33.0104.04)	\$51.80

- Fits Century® II manual control systems
- For air only



**Replacement A-dec® On/Off Toggle Valve  
"Rear Port"**

GRAY | BLACK

7164	7163	2-Way Toggle Valve, (A-dec® #33.0096.00)	\$27.00
7161	7160	3-Way Toggle Valve, (A-dec® #33.0080.01)	\$27.00

- On / Off Operation
- Rear ports
- 2-way or 3-way



**Replacement A-dec® Momentary Toggle Valve  
"Rear Port"**

GRAY | BLACK

7169	7168	2-Way Toggle Valve, (A-dec® #42.0537.03)	\$27.30
------	------	--	---------



**Replacement A-dec® Momentary Toggle Valve  
"Round Body"**

GRAY | BLACK

7166	7167	2-Way Toggle Valve, (A-dec® #33.0008.01)	\$23.90
------	------	--	---------

- Fits cuspidor models prior to 1982

A-dec® and Century® are registered trademarks of A-dec®, Inc. These parts are manufactured by DCI to fit A-dec® equipment. DCI has no affiliation with A-dec(r) and A-dec(r) has not authorized DCI replacement parts to be used on or in connection with A-dec® products.



### Air Q.D. Kit to fit A-dec® Handpiece Controls

PN **9290** Q.D. Kit for Air (A-dec® #026.130.00)..... **\$68.90**

- Includes male & female Q.D.'s, Hardware & Tubing
- Plastic spacer



### Self Contained Water Q.D. Kit to fit A-dec® Handpiece Controls

PN **9293** Q.D. Kit for Self Contained Water, (A-dec® #90.0370.00)..... **\$68.90**

PN **9298** Male Self Contained Water Q.D., (A-dec® #13.0375.00)..... **\$38.30**

PN **9172** Female Self Contained Water Q.D., (A-dec® #026.125.00)..... **\$38.30**

- Kit 9293 includes male & female Q.D.'s, Hardware
- Non-recessed



### City Water Q.D. Kit to fit A-dec® Handpiece Controls

PN **9292** Q.D. Kit for City Water, (A-dec® #026.134.00)..... **\$84.40**

PN **9299** Male Adjustable City Water Q.D., (A-dec® #13.0381.00)..... **\$37.80**

PN **9173** Female City Water Q.D., (A-dec® #026.157.00)..... **\$37.80**

- Kit 9292 includes male & female Q.D.'s, Hardware & Tubing
- Recessed



### Flow Restrictor to fit A-dec® Handpiece Controls

PN **9317** Double Flow Restrictor (A-dec® #23.0173.00)..... **\$19.20**

- Flow control for 1/8" Tubing
- Used for syringe air/water flow control

A-dec® is a registered trademark of A-dec®, Inc. These parts are manufactured by DCI to fit A-dec® equipment. DCI has no affiliation with A-dec® and A-dec® has not authorized DCI replacement parts to be used on or in connection with A-dec® products.

### Air Electric Switches to fit A-dec® Handpiece Controls



PN <b>7084</b>	Normally Open 10 PSI Switch, (A-dec® #044.158.00).....	<b>\$25.40</b>
PN <b>7080</b>	Normally Open 25 PSI Switch, (A-dec® #044.181.00).....	<b>\$27.50</b>
PN <b>7089</b>	Normally Closed 10 PSI Switch, (A-dec® #044.159.00).....	<b>\$25.40</b>
PN <b>7087</b>	Normally Closed 25 PSI Switch.....	<b>\$27.50</b>

- 120 Volt / 5 amp
- 10 PSI or 25 PSI
- Normally open or closed

### Replacement A-dec® Rectangular Pressure Gauge



PN <b>7270</b>	Pressure Gauge 0-60 PSI, (A-dec® #026.083.01).....	<b>\$32.70</b>
----------------	--	----------------

- 0-60 PSI reading
- 1/2" H x 1 3/4" W
- For air only
- Vibration & shock resistant

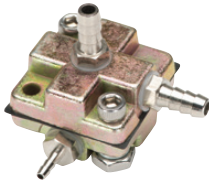
### Replacement A-dec® Pneumatic Indicator



	<u>RED</u>	<u>GREEN</u>	
<b>7280</b>	<b>7285</b>	Panel Mount On / Off Indicator (A-dec® #24.0100.03).....	<b>\$18.20</b>

- 25-120 PSI
- 10-32 Port w/ barb for 1/8" O.D. tubing

### Replacement A-dec® Tooth Dryer Relay



PN <b>9243</b>	Tooth Dryer Relay Valve, (A-dec® #34.0043.00).....	<b>\$44.60</b>
----------------	--	----------------

- 1/16" Barb (qty 1), 1/8" Barbs (qty 2)



#### TECH TIP

**TRYING TO SOLVE  
A TOUGH TECHNICAL  
PROBLEM?**

Visit the DCI Service Forum at [www.dcionline.com](http://www.dcionline.com) or the DCI Video Library where you can collaborate with fellow technicians and find the answers to the most challenging dental repairs!

A-dec® is a registered trademark of A-dec®, Inc. These parts are manufactured by DCI to fit A-dec® equipment. DCI has no affiliation with A-dec® and A-dec® has not authorized DCI replacement parts to be used on or in connection with A-dec® products.





3054

### Syringe Tips to fit A-dec® Syringes

PN 3054	Syringe Tip (each)	\$5.20
PN 3055	Syringe Tip, (A-dec® #23.0872.01) (pkg of 5)	\$25.40
PN 3056	Syringe Tip (pkg of 50)	\$216.40

- Autoclavable



9286

### Parts to fit A-dec® Syringes

PN 9286	Tool to fit A-dec® Syringes, (A-dec® #98.0010.00), Valve Core Removal Tool, .050 Hex Wrench for Button Screw, 5-32" Hex Wrench for Syringe Tip Insert	\$17.10
---------	---	---------



9150

PN 9150	Syringe Button Screw, (A-dec® #23.1193.01), (pkg of 5) (Product Produced 1995 & Later)	\$28.50
---------	---	---------



3090

PN 3090	Valve Core, (A-dec® #026.033.01), (pkg of 10) Fits Tri-Flow, Lever, Soft Touch Button & Continental® Syringe	\$7.30
---------	---	--------



9028

PN 9028	Conical Button Spring, (A-dec® #013.038.01), (pkg of 10) Fits Tri-Flow, Lever, Soft Touch Button & Continental® Syringe	\$24.90
---------	--	---------



9186

PN 9186	Button Assy to fit A-dec® Syringes (each) (A-dec® #23.1232.01)	\$20.70
---------	---	---------

PN 2242	O-Ring, Viton, .114 I.D. X .070 Width, -006; (A-dec® #035.048.00)(Pkg of 12)	\$6.30
---------	---	--------

PN 2305	O-Ring, Viton, .056 I.D. x .060 Width (A-dec® #034.003.00) (Pkg of 12)	\$8.60
---------	---	--------

PN 9347	A-dec® Soft Syringe Buttons & Repair Kit	\$46.60
---------	--	---------

### A-dec® Lever Syringe Repair Parts



9326

PN 9326	Service Kit to fit A-dec® Lever Syringes (A-dec® #23.1093.00)	\$23.90
---------	--	---------

#### Kit includes:

PN 3070	Button for Lever Syringe (A-dec® #23.0048.01)	\$9.90
PN 9028	Conical Button Spring (A-dec® #013.038.00)	\$24.90
PN 8034	Silicone Lubricant (A-dec® #98.0090.01)	\$7.30

A-dec® and Continental® are registered trademarks of A-dec®, Inc. These parts are manufactured by DCI to fit A-dec® equipment. DCI has no affiliation with A-dec® and A-dec® has not authorized DCI replacement parts to be used on or in connection with A-dec® products.



### Replacement A-dec® Style Cuspidor Bowl Screen

PN **5312** Cuspidor Screen, (A-dec® #42.0085.00)..... **\$5.30**

- Fits Decade® & Excellence®
- Bowl 8" O.D. x 6 3/4" I.D.
- Includes 2 O-Rings (2246)
- Stem 2 1/2" O.D. x 1 1/2" I.D.



### Screens to fit A-dec® Cuspidors

PN **5314** White Cuspidor Screen, 1 5/8" (pkg of 144)..... **\$52.80**

PN **5313** Gray Cuspidor Screen, 2 1/2" (pkg of 144)..... **\$52.80**



### Screens to fit A-dec® Solids Collectors

PN **6818** Screen, Disposable, Fits A-dec® Cascade®/Performer®  
(A-dec® #11.1191.00) (pkg of 144)..... **\$52.80**

PN **5512** Screen, Disposable, Fits A-dec 300®/500®  
(A-dec® #11.1284.01) (pkg of 144)..... **\$52.30**



### Water Bottle Kit to fit A-dec® Cascade® Water Systems

PN **9327** 750 ml Water Bottle Kit (A-dec® #90.0460.03)..... **\$14.90**

**Kit includes:**

PN **8652** 750 ml Bottle 2 ea. (A-dec® #14.0416.00)..... **\$7.30/each**

PN **8126** Bottle Cap 2 ea. .... **\$0.42/each**



### Replacement A-dec® Style Asepsis 4 Hole Handpiece Tubing (*Dark Surf*)

PN **435CT** Coiled w/ Connector..... **\$37.60**

PN **435T** Straight 7 ft. w/ Connector..... **\$25.10**

PN **435** Straight (per ft.)..... **\$1.56**

PN **435R** Straight 100 ft. Roll..... **\$120.10**

PN **435B** Straight 100 ft. Box..... **\$120.10**



### Replacement A-dec® Style Asepsis 2 Hole Syringe Tubing (*Dark Surf*)

PN **235C** Coiled..... **\$15.50**

PN **235** Straight (per ft.)..... **\$.73**

PN **235R** 100 ft. Roll..... **\$54.70**

PN **235B** 100 ft. Box..... **\$54.70**

A-dec®, Cascade®, Decade®, Excellence®, Performer®, A-dec 300® and A-dec 500® are registered trademarks of A-dec®, Inc. These parts are manufactured by DCI to fit A-dec® equipment. DCI has no affiliation with A-dec(r) and A-dec(r) has not authorized DCI replacement parts to be used on or in connection with A-dec® products.





### Replacement A-dec® Style Vacuum Valves

PN 5061	Autoclavable Extended Vacuum Valve.....	\$74.10
PN 5060	Autoclavable Short Vacuum Valve.....	\$67.70
PN 5062	Autoclavable Saliva Ejector.....	\$67.70

Note: These parts are not made by or in any way connected to A-dec®.

PAGE 114 ILLUSTRATED Parts Breakdown



737

### Replacement A-dec® Style Dark Surf Vacuum Tubing

PN 737	1/2" I.D. Dark Surf (per ft.).....	\$2.62
PN S615	3/16" I.D. Dark Surf (per ft.).....	\$ .94



5754

### Push On Tip to fit A-dec® Saliva Ejectors

PN 5750	Black Tip, (A-dec® #12.0183.00).....	\$3.21
PN 5754	Gray Tip, (A-dec® #12.0183.01).....	\$3.21

See PG. 107  
for all SE tips  
& packages



### Plug to fit A-dec® Solids Collectors

PN 9177	HVE Hole Plug, (A-dec® #028.008.00) (pkg of 10).....	\$4.12
---------	--	--------

- Plugs off extra HVE hole
- Easily removed to add HVE
- 1/2" O.D. x 1/4" I.D.

A-dec® is a registered trademark of A-dec®, Inc. These parts are manufactured by DCI to fit A-dec® equipment. DCI has no affiliation with A-dec® and A-dec® has not authorized DCI replacement parts to be used on or in connection with A-dec® products.



## Replacement A-dec® Style Foot Control (Dark Surf)

PN **6306** Wet/Dry & Scaler Button Foot Control w/signal relay  
(A-dec® #38.1601.00)..... **\$206.00**

- Additional configurations available upon request, contact Customer Service



## Parts to fit A-dec® Foot Controls (Dark Surf)

PN **6110** Wet/Dry Toggle w/ 3-Way Valve, (A-dec® #38.0604.00)..... **\$23.30**  
 PN **6113** Toggle Kit, Surf, (A-dec® #38.0075.03)..... **\$4.77**  
 PN **6112** Scaler/Accessory Button w/ 3-Way Valve  
(A-dec® #38.0612.00)..... **\$25.40**  
 PN **6111** Chip Blower Button w/ 2-Way Valve (A-dec® #38.0610.00)..... **\$25.40**  
 PN **6102** Housing, No Holes, (A-dec® #38.0319.02)..... **\$7.30**  
 PN **6103** Housing, 1 Hole for Wet/Dry Toggle, (A-dec® #38.0320.02)..... **\$7.30**  
 PN **6106** Housing, 1 Hole for Button, (A-dec® #38.0763.00)..... **\$7.60**  
 PN **6104** Housing, 2 Holes, (A-dec® #38.0321.02)..... **\$7.30**  
 PN **6107** Retaining Ring, (A-dec® #38.0237.00)..... **\$9.40**  
 PN **6070** Cover, (A-dec® #22.0110.00)..... **\$25.40**  
 PN **6095** Spring Clip, (A-dec® #010.056.00)..... **\$.42**



## 5 Hole Foot Control Tubing to fit A-dec® Foot Controls (Dark Surf)

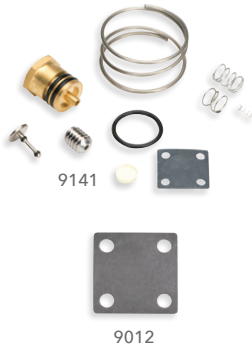
PN **511** Per foot..... **\$3.53**  
 PN **511R** 100 ft. Roll..... **\$296.10**  
 PN **511B** 100 ft. Box..... **\$296.10**  
 PN **653** Sheathed Asepsis 5-Hole Foot Control Tubing (per ft.)  
(A-dec® #024.202.01)..... **\$7.30**

- Polyurethane

A-dec® is a registered trademark of A-dec®, Inc. These parts are manufactured by DCI to fit A-dec® equipment. DCI has no affiliation with A-dec® and A-dec® has not authorized DCI replacement parts to be used on or in connection with A-dec® products.



### Parts to fit A-dec® Foot Control I



PN **9141** Service Kit, (A-dec® #90.0010.00) **\$64.20**

**Kit includes:**

- PN **9010** Plastic Poppet, (A-dec® #22.0060.00) (pkg of 10) **\$7.80**
- PN **9160** Piston Assembly, (A-dec® #22.0081.00) **\$ 15.10**
- PN **6098** Relay Stem, (A-dec® #22.0778.00) **\$2.49**
- PN **9012** Relay Diaphragm, (A-dec® #38.0054.02) (pkg of 10) **\$14.00**
- PN **9029** Foot Control Spring **\$6.80**

- Foot Control (A-dec® #38.0050.00)
- Prior to 1980

### Parts to fit A-dec® Foot Control II



PN **9049** Service Kit, (A-dec® #90.0312.00).....**\$17.60**

PN **9125** Main Compression "Cover" Spring (A-dec® #013.011.00) (pkg of 10).....**\$11.40**

PN **9026** Conical "Plunger Stem" Spring, (A-dec® #013.022.00) (pkg of 10).....**\$8.80**

PN **6096** Stem Assy, (A-dec® #38.0246.00).....**\$8.30**

PN **6070** Cover, (A-dec® #22.0110.00), Fits All A-dec® Foot Controls.....**\$25.40**

PN **6046** Retaining Ring, Gray, (A-dec® #38.0237.00), Also Fits A-dec® Foot Control III.....**\$9.60**

PN **6098** Signal Relay Stem w/ O-Rings, (A-dec® #22.0778.00).....**\$2.49**

PN **9012** Diaphragm, (A-dec® #38.0054.02) (pkg of 10).....**\$14.00**

PN **9029** Foot Control Spring.....**\$6.80**

A-dec® is a registered trademark of A-dec®, Inc. These parts are manufactured by DCI to fit A-dec® equipment. DCI has no affiliation with A-dec® and A-dec® has not authorized DCI replacement parts to be used on or in connection with A-dec® products.



9082

### Parts to fit A-dec® Foot Control III

PN **9082** Service Kit, (A-dec® #90.0593.00)..... **\$25.40**

**Kit Includes:**

PN <b>8034</b>	Silicone Lubricant	\$7.30
PN <b>9010</b>	Plastic Poppet	\$7.80
PN <b>9029</b>	Foot Control Spring	\$6.80
PN <b>9012</b>	Diaphragm	\$14.00
PN <b>6042</b>	Compression Spring	\$1.66
PN <b>2210</b>	O-Ring	\$3.01
PN <b>6097</b>	Piston w/Seal	\$15.10
PN <b>6098</b>	Stem w/O-Rings	\$2.49
PN <b>9066</b>	Compression Spring, (A-dec® #22.0580.00) (pkg of 10)	\$4.35



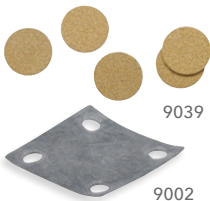
9144

### Parts to fit A-dec® Lever Style Foot Control

PN **9144** Service Kit, (A-dec® #90.0313.00)..... **\$47.10**

**Kit Includes:**

PN <b>9166</b>	Valve Stem Assy, (A-dec® #38.0211.00)	\$11.40
PN <b>6098</b>	Relay Stem Assy, (A-dec® #22.0778.00)	\$2.49
PN <b>9121</b>	Extension Spring, (A-dec® #38.0208.00)	\$13.00
PN <b>9124</b>	Compression Spring, (A-dec® #013.019.00) (pkg of 10)	\$13.00
PN <b>9012</b>	Diaphragm, (A-dec® #38.0054.02) (pkg of 10)	\$14.00
PN <b>9171</b>	Brass Washer, (A-dec® #004.057.00) (pkg of 10)	\$4.66
PN <b>9029</b>	Foot Control Spring (A-dec #10.0440.00)	\$6.80



9039

9002

### Parts to fit A-dec® Water Filter

PN **9039** Filter Disc "Bronze," (A-dec® #19.0220.01) (pkg of 5)..... **\$4.77**

PN **9002** Diaphragm, (A-dec® #22.0440.02) (pkg of 10)..... **\$14.50**



3090

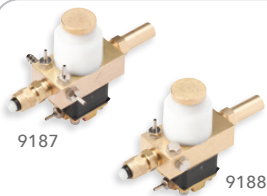
### Parts to fit A-dec® Air Filter/Regulator

PN **7217** Diaphragm Assy, (A-dec® #97.0200.00)..... **\$32.70**

PN **7226** Filter Element 40 micron, (A-dec® #97.0280.02)..... **\$14.00**

PN **3090** Valve Core, (A-dec® #026.033.01) (pkg of 10)..... **\$7.30**

A-dec® is a registered trademark of A-dec®, Inc. These parts are manufactured by DCI to fit A-dec® equipment. DCI has no affiliation with A-dec® and A-dec® has not authorized DCI replacement parts to be used on or in connection with A-dec® products.



### Shut-Off Valve/Filter Assemblies to fit A-dec® Utility Centers

PN 9187	Air Shut-Off Valve.....	\$67.90
PN 9188	Water Shut-Off Valve.....	\$67.90

- For air or water
- Includes 40 micron filter
- 3/8" compression tube connection



### Parts to fit A-dec® Air/Water Filters

PN 9107	Filter Kit, (A-dec® #24.0229.00 / #24.0234.01 / #030.019.00).....	\$11.40
PN 9108	Filter Housing, (A-dec® #24.0229.00).....	\$7.80
PN 7247	Filter Element, (A-dec® #24.0234.01) (ea.).....	\$2.90
PN 7248	Filter Element, (A-dec® #24.0234.01) (pkg of 6).....	\$11.60

- Kit Includes: housing, O-Rings, 40 micron filter element



### Parts to fit A-dec® Air/Water Shut-off Valves

PN 9140	Service Kit, (A-dec® #90.0090.00).....	\$18.20
---------	--	---------

**Kit Includes:**

PN 9163	Stem, (A-dec® #30.0731.00)	\$21.20
PN 9127	Compression Spring, (A-dec® #19.0230.00) (pkg of 10)	\$10.60
PN 9002	Diaphragm, (A-dec® #24.0440.02) (pkg of 10)	\$14.50

- Kit Includes: stem, spring, diaphragm



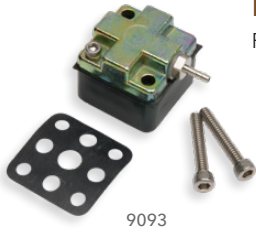
### Parts to fit A-dec® Air Valve, White Body

PN 9105	Service Kit.....	\$14.80
---------	------------------	---------

**Kit Includes:**

PN 9097	White Body Only, (A-dec® #24.0135.00)	\$10.60
PN 9106	Plastic Piston Assy, (A-dec® #24.0132.00)	\$1.91
PN 9098	Conical Spring, (A-dec® #22.0460.00) (pkg of 10)	\$5.30
PN 9004	Gasket 9-Hole, (A-dec® #24.0137.01) (pkg of 10)	\$6.40
PN 9002	Diaphragm, (A-dec® #22.0440.02) (pkg of 10)	\$14.50

A-dec® is a registered trademark of A-dec®, Inc. These parts are manufactured by DCI to fit A-dec® equipment. DCI has no affiliation with A-dec® and A-dec® has not authorized DCI replacement parts to be used on or in connection with A-dec® products.



### Parts to fit A-dec® Water Valve, Black Body

PN 9093 Service Kit..... \$12.70

**Kit Includes:**

- PN 9094 Black Body Only, (A-dec® #24.0355.00) \$10.60
- PN 9106 Plastic Piston Assy, (A-dec® #24.0132.00) \$1.91
- PN 9095 Conical Spring, (A-dec® #13.032.00) (pkg of 10) \$5.30
- PN 9004 Gasket 9-Hole, (A-dec® #24.0137.01) (pkg of 10) \$6.40
- PN 9002 Diaphragm, (A-dec® #22.0440.00) (pkg of 10) \$14.50



### Stems to fit A-dec® Micro Valves

- PN 9013 Micro Valve, (A-dec® #29.0810.00)  
Fits 2-way (A-dec® #38.0062.00)..... \$1.27
- PN 9014 Micro Valve, (A-dec® #29.0820.00)  
Fits 3-way (A-dec® #29.0185.00)..... \$1.27
- PN 9017 Balanced Micro Valve, (A-dec® #38.0087.00)  
Fits 2-way (A-dec® #38.0086.00)..... \$3.71



### Stems to fit A-dec® Valves

- PN 9016 Fits Century® II Cartridge Valve, (A-dec® #29.0840.00)..... \$5.20
- PN 9048 Fits Century® II Block w/Water Retraction, (A-dec® #29.0835.00)..... \$4.77
- PN 9050 Fits Century® II Control Block, (A-dec® #29.0831.00)..... \$2.65
- PN 9015 Fits Century® II Water Coolant Valve, (A-dec® #29.0840.00)..... \$5.10
- PN 6098 Fits Foot Control Relay, (A-dec® #22.0778.00)..... \$2.49



### Parts to fit A-dec® Air Coolant Auto Block

- PN 9142 Service Kit, (A-dec® #90.0012.00)..... \$24.30
- PN 9164 Valve Stem, (A-dec® #22.0999.00)..... \$18.00



### Parts to fit A-dec® Water Valve Auto Block

- PN 9143 Service Kit, (A-dec® #90.0014.00)..... \$19.50
- Kit Includes:**
- PN 9165 Valve Stem, (A-dec® #22.0776.00) (pkg of 3) \$17.10
- PN 9109 Valve Stem "Pin Style," (A-dec® #29.0972.00) (pkg of 3) \$5.90
- PN 9098 Compression Spring, (A-dec® #22.0460.00) (pkg of 10) \$5.30

A-dec® and Century® are registered trademarks of A-dec®, Inc. These parts are manufactured by DCI to fit A-dec® equipment. DCI has no affiliation with A-dec® and A-dec® has not authorized DCI replacement parts to be used on or in connection with A-dec® products.



9038

### Replacement A-dec® Style External Retaining Ring

- PN **9038** Fits Vacuum Valve Stems, (A-dec® #010.019.00) (pkg of 10)..... **\$3.38**
- PN **9035** Fits Needle Valve & Air Saliva Ejector Jet Assy Cartridge (A-dec® #010.002.00) (pkg of 10)..... **\$2.65**



9037

### Replacement A-dec® Style Internal Retaining Ring

- PN **9037** Internal 1/4" O.D. Fits Century® II Old Style, (A-dec® #010.017.00) (pkg of 10)..... **\$3.28**
- PN **9036** Internal 3/8" O.D. Fits Century® II New Style, (A-dec® #010.013.00) (pkg of 10)..... **\$3.28**



9021

### Miscellaneous Screws to fit A-dec® Equipment

- PN **9021** Socket Head 6-32 x 1/4" Stainless Steel, (A-dec® #001.034.00) (pkg of 10)..... **\$4.02**
- PN **9024** Pan Head Slotted 6-32 x 1/4" (A-dec® #001.073.00) (pkg of 10)..... **\$4.43**
- PN **9025** Truss Head Slotted 2-56 x 1/8" Stainless Steel, (A-dec® #001.002.00) (pkg of 10)..... **\$3.59**



9025



2310



2312

### O-Rings to fit A-dec® Vacuum Systems

- PN **2310** Non-Autoclavable O-Ring, (A-dec® #030.026.01) (pkg of 12)..... **\$6.40**
- PN **2312** Non-Autoclavable O-Ring, (A-dec® #030.014.02) (pkg of 12)..... **\$6.40**
- 2312 for A-dec® Cascade® solids collector ports
  - 2310 fits A-dec® Cascade® solids collector lid



### Replacement A-dec® Nylon Washer "Small I.D."

- PN **9042** Nylon Washer, .142 I.D. x .312 O.D. (A-dec® #004.036.00) (pkg of 50)..... **\$8.50**



### Replacement A-dec® Pivot Arm Locking Tab

- PN **9184** Arm Locking Tab, (A-dec® #28.0566.00) (6300)..... **\$19.60**

A-dec®, Cascade® and Century® are registered trademarks of A-dec®, Inc. These parts are manufactured by DCI to fit A-dec® equipment. DCI has no affiliation with A-dec® and A-dec® has not authorized DCI replacement parts to be used on or in connection with A-dec® products.

### Hardware Kit to fit A-dec® Equipment



9053

- 12 Common Replacement Socket Head Screws to fit A-dec® delivery systems. 25 each of the screws packaged in a 12 compartment box.

PN **9053** Hardware Kit..... **\$105.60**

#### Kit includes the following screws:

PN <b>9064</b>	1/4 - 20 x 5/8", Zinc, pkg of 25	(A-dec® #001.089.00)	\$8.30
PN <b>9054</b>	6-32 x 3/8", Zinc, pkg of 25	(A-dec® #001.033.00)	\$9.90
PN <b>9055</b>	6-32 x 1/2", Zinc, pkg of 25	(A-dec® #001.042.00)	\$9.40
PN <b>9056</b>	6-32 x 5/8", Zinc, pkg of 25	(A-dec® #001.010.00)	\$8.70
PN <b>9057</b>	6-32 x 7/8", SST, pkg of 25	(A-dec® #001.026.00)	\$12.50
PN <b>9058</b>	6-32 x 1", Zinc, pkg of 25	(A-dec® #001.034.00)	\$12.50
PN <b>9071</b>	6-32 x 1", SST, pkg of 25	(A-dec® #002.011.00)	\$12.50
PN <b>9059</b>	4-40 x 1/4", Zinc, pkg of 25	(A-dec® #003.078.00)	\$6.30
PN <b>9060</b>	4-40 x 3/8", SST, pkg of 25	(A-dec® #001.024.00)	\$5.20
PN <b>9061</b>	4-40 x 1/2", SST, pkg of 25	(A-dec® #001.021.00)	\$8.30
PN <b>9062</b>	4-40 x 3/4", Zinc, pkg of 25	(A-dec® #002.024.00)	\$9.40
PN <b>9063</b>	2-56 x 1/2", Zinc, pkg of 25	(A-dec® #001.070.00)	\$8.30



8410



8013

### Replacement A-dec® Style Tubs & Trays

PN **8410** Plastic Tub for Trays & Carts, (A-dec® #16.0562.00)..... **\$33.80**  
 PN **8013** Stainless Steel Tray 9 3/4" x 13 1/2", (A-dec® #043.001.00)..... **\$43.50**

See PG. 129  
for complete  
parts of tubs



1706

### 5/16" O.D. Polyurethane Supply Tubing (3/16" I.D.)

BLACK	BLUE	CLEAR	ORANGE	YELLOW		
1701	1702	1703	1706	1708	Per foot.....	\$3.65
1701R	1702R	1703R	1706R	1708R	100 ft. Roll.....	\$136.70
1701B	1702B	1703B	1706B	1708B	100 ft. Box.....	\$136.70

- 5/16" OD tubing is used by A-dec®



### 5/16" Barb Fitting to fit A-dec® Tubing

PN **0171** 10-32 x 5/16" Barb, (pkg of 10) (A-dec® #023.805.01)..... **\$6.20**

A-dec® is a registered trademark of A-dec®, Inc. These parts are manufactured by DCI to fit A-dec® equipment. DCI has no affiliation with A-dec® and A-dec® has not authorized DCI replacement parts to be used on or in connection with A-dec® products.

## Dentech® Style Multi-Function Block Assembly Repair Kit

PN 9090 Block Repair Kit.....\$32.70



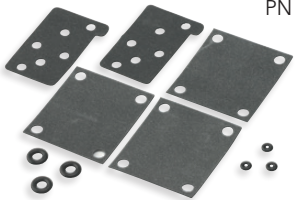
**Kit Includes:**

PN 9086	Flat Seal Gasket	\$9.00
PN 9085	Diaphragm, Control Block	\$9.00
PN 2203	O-Ring 11-006	\$3.01
PN 2230	O-Ring 11-002	\$3.01
PN 9081	Spring, Check Valve	\$35.90
PN 9084	Diaphragm, Coolant Block	\$13.00
PN 9083	Spring, Coolant Valve	\$18.50
PN 9080	Piston w/ O-Rings	\$6.10

- Used to repair (Dentech® #20-02-115) block assembly w/ 3 handpieces & syringe

## Dentech® Style Multi-Function Block Assembly Repair Kit

PN 9089 Block Repair Kit.....\$13.10



**Kit Includes:**

PN 9085	Diaphragm, Control Block	\$9.00
PN 2230	O-Ring 11-002	\$3.01
PN 2203	O-Ring 11-006	\$3.01
PN 9086	Flat Seal Gasket	\$9.00

- Dentech® repair kit (Dentech® #40-02-062)

## Dentech® Style Multi-Function Block Repair Kit

PN 9088 Block Repair Kit.....\$30.70



**Kit Includes:**

PN 9083	Spring, Coolant Valve	\$18.50
PN 9080	Piston w/ O-Rings	\$6.10
PN 9084	Diaphragm, Coolant Block	\$13.00
PN 9081	Spring, Check Valve	\$35.90
PN 2230	O-Ring 11-002	\$3.01
PN 2229	O-Ring 11-004	\$3.01

- Dentech® repair kit (Dentech® #30-02-080)

*These parts are manufactured by DCI to fit Dentech® equipment. DCI has no affiliation with Dentech. DCI replacement parts are not manufactured under license or supervision of Dentech®.*





### Dentech® Style Coolant Block Repair Kit

PN 9087 Coolant Block Repair Kit.....\$27.50

**Kit Includes:**

PN 9083	Spring, Coolant Valve	\$18.50
PN 9080	Piston w/ O-Ring	\$6.10
PN 9084	Diaphragm	\$13.00
PN 9081	Spring, Check Valve	\$35.90

- Dentech® repair kit (Dentech® #40-02-036)



### Dentech® Style Coolant Block Diaphragm

PN 9084 Coolant Block Diaphragm (pkg of 5).....\$13.00

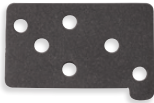
- Replaces (Dentech® #01-05-024)



### Dentech® Style Control Block Diaphragm

PN 9085 Control Block Diaphragm (pkg of 5).....\$9.00

- Replaces (Dentech® #01-05-002)



### Dentech® Style Flat Seal Gasket

PN 9086 Flat Seal Gasket (pkg of 5).....\$9.00

- Replaces (Dentech® #01-05-001)



### Dentech® Style Piston Assembly w/ O-Rings

PN 9080 Piston Assembly.....\$6.10

- Replaces (Dentech® #01-02-081)
- Coolant Block
- Multi-function block
- Includes O-Rings



### Dentech® Style Coolant Valve Spring

PN 9083 Coolant Valve Spring (pkg of 10).....\$18.50

- Replaces (Dentech® #01-10-019)
- Coolant block
- Multi-function block



### Dentech® Style Check Valve Spring

PN 9081 Check Valve Spring (pkg of 10).....\$35.90

- Replaces (Dentech® #01-10-039)
- Multi-function block

*These parts are manufactured by DCI to fit Dentech® equipment. DCI has no affiliation with Dentech. DCI replacement parts are not manufactured under license or supervision of Dentech®.*





### Forest Style Control Block

PN **4437** Forest 3 HP block Gasket (Forest #0022-020)..... **\$2.86**

- Replacement for Forest tri-block 1100-170



### Master Shut-off/Regulator - Air

PN **7287** Master Shut-off/Regulator for Air..... **\$109.80**

- Includes regulator, shut-off valve, filter and gauge for air
- 125 PSI Maximum



### Master Shut-off/Regulator - Water

PN **7288** Master Shut-off/Regulator for Water..... **\$109.80**

- Includes regulator, shut-off valve, filter and gauge for water



### Water Relay & Flow Control "Combo" Valves

PN **7187** Midmark® Combo Valve (Midmark® #029-3411-00)..... **\$48.60**

- Water relay valve with flow
- Replacement for most newer Midmark® Dental Units
- 35 PSI Activation Pressure
- Signal relay foot control required



### Needle Valve "Hex Body" Knobs

PN **7185** Flow Control Knob, Blue (Midmark® #053-1165-01)..... **\$3.59**

- 1/4" Brass insert shaft
- Smooth type knob

*These parts are manufactured by DCI to fit Midmark & Forest equipment. DCI has no affiliation with Midmark or Forest. DCI replacement parts are not manufactured under license or supervision of Midmark or Forest.*

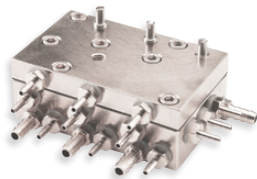
### Pelton & Crane™ Style Executive Conversion Kit



PN 4446 Executive Conversion Kit.....\$2882.10

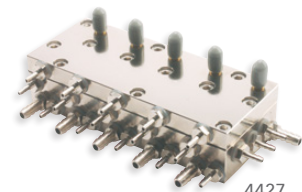
- Precision Comfort™ Premium Autoclavable Vacuum Valves include two 5112 HVEs & one 5222 SE
- Automatic control for three handpieces
- Individual flow control for water coolant to each handpiece
- Individual handpiece pressure adjustments
- Includes 8323 utility center
- Automatic handpiece holders w/ manual lockout toggle
- Variable speed disc-type foot control w/ wet/dry toggle
- Precision Comfort™ three-way syringe
- Dimensions: 12 1/2" x 18" x 4 1/2"
- 6 ft. Umbilical
- Specify tubing color & type

### P&C / Marus® Style Handpiece Control Blocks



4421

PN 4380	Twin-Block w/ Long Adjustment Screws.....	\$84.50
PN 4382	Twin-Block w/ Std. Adjustment Screws.....	\$84.50
PN 4421	Tri-Block.....	\$95.10
PN 4425	Quad-Block.....	\$132.00
PN 4427	Quin-Block.....	\$221.70
PN 4381	Diaphragm, Twin-Block.....	\$2.76
PN 4430	Diaphragm, Tri-Block.....	\$3.38
PN 4433	Diaphragm, Quad-Block.....	\$3.81
PN 4434	Diaphragm, Quin-Block.....	\$2.32
PN 4432	Drive Air Adjusting Screw.....	\$6.10
PN 4426	Mounting Bracket.....	\$20.70



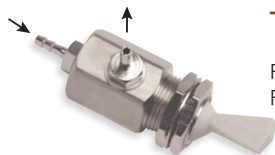
4427

- Consistent flow control for handpiece pressure adjustments
- Higher output due to improved airflow
- Longer lasting diaphragm
- No internal cross-over of air or water
- Block dimensions, 1 1/2" x 1 1/2" x 1" (4382)
- Block dimensions, 2 3/8" x 1 1/2" x 1" (4421)
- Block dimensions, 3 1/8" x 1 1/2" x 1" (4425)
- Block dimensions, 3 3/4" x 1 1/2" x 1" (4427)

*These parts are manufactured by DCI to fit Pelton & Crane® and Marus® equipment. DCI has no affiliation with Pelton & Crane or Marus. DCI replacement parts are not manufactured under license or supervision of Pelton & Crane® or Marus®.*



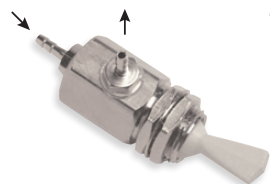
Easy Online Shopping



### Toggle On / Off Valve Hex Body (Gray)

PN 7012	2-Way Valve.....	\$14.40
PN 7016	3-Way Valve.....	\$14.40

- Panel-mounting 15/32-32 thread w/ nut
- 2-way for air or water; 3-way for air only



### Toggle Momentary Valve "Hex Body" (Gray)

PN 7021	2-Way Valve	Normally Closed.....	\$14.80
PN 7026	3-Way Valve	Normally Closed.....	\$14.80
PN 7027	3-Way Valve	Normally Open.....	\$17.50

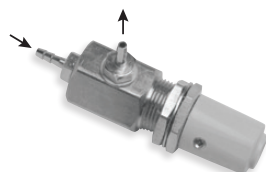
- Panel-mounting 15/32-32 thread w/ nut
- 2-way for air or water; 3-way for air only



### Toggle Routing "Selector" Valve Hex Body (Gray)

PN 7001	Routing Valve.....	\$18.00
---------	--------------------	---------

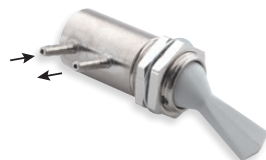
- Toggle on/off for routing 1 input & 2 output, or 2 input & 1 output
- Panel-mounting 15/32-32 thread w/ nut
- For air or water



### Needle Valve "Hex Body" (Gray)

PN 7052	Needle Valve.....	\$16.90
PN 7069	Knob.....	\$3.11

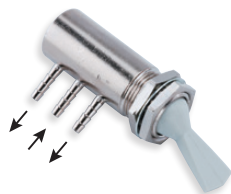
- Fine flow control adjustment for air or water
- Panel-mounting 15/32-32 thread w/ nut



### Toggle On / Off Valve Side Port "Round Body" (Gray)

PN 7156	3-Way Valve.....	\$23.20
---------	------------------	---------

- Port barbs for 1/8" O.D. tubing
- 3-way for air only
- Panel-mounting 15/32-32 thread w/ nut



### Toggle Routing "Selector" Valve Round Body (Gray)

PN 7151	Selector Valve.....	\$51.80
---------	---------------------	---------

- Panel mounting 15/32-32 thread w/ nut
- Routes signal air
- Port barbs for 1/8" O.D. tubing
- Exhausting valve, for air only

These parts are manufactured by DCI to fit Pelton & Crane® and Marus® equipment. DCI has no affiliation with Pelton & Crane or Marus. DCI replacement parts are not manufactured under license or supervision of Pelton & Crane® or Marus®.

**FEATURED**

### Water Relay & Flow Control Combo Valves



7139

**NEW  
ITEMS**

PN 7139	Water Relay w/ Flow Control.....	<b>\$52.70</b>
PN 7068	Water Relay, non-retracting.....	<b>\$36.50</b>
PN 7302	Water Relay w/ Double Barb Swivel.....	<b>\$52.70</b>
PN 7309	New Style, Repair Kit for 7139 Valve.....	<b>\$9.40</b>
PN 7133	Old Style, Repair kit for 7130 Valve.....	<b>\$9.60</b>



7133

- Non retraction type
- Combination pilot valve & needle valve
- 10-32 side ports
- Low Activation Pressure of 25 PSI
- Used on DCI Series 4 and Series 5 units
- Precision Flow Control

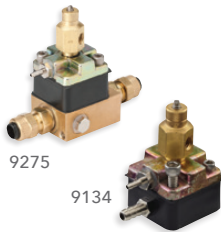


### Toggle Momentary On / Off "Rear Ported"

GRAY | BLACK

7169   7168	2-Way Valve .....	<b>\$27.30</b>
-------------	-------------------	----------------

- Rear ported valve
- 2-way valve for air or water
- Panel-mounting 15/32-32 thread w/ nut



9275

9134

### Cuspidor / Cup Filler Time Delay Valve Assembly

PN 9275	Time Delay Valve (P&C #043990).....	<b>\$78.90</b>
PN 9134	Time Delay, Relay Assy.....	<b>\$40.20</b>

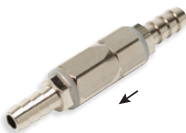
- Controls length of time bowl or cup fill is activated
- 1/4" Poly Inlet & Outlet



### Junction Box Valve Kit

PN 9118	Junction Box Valve Kit Air & Water Shut.....	<b>\$165.90</b>
---------	--	-----------------

- Off w/ filter element
- 40 micron filter element
- Air pilot controlled
- Includes 3-way on / off toggle valve
- 3/8" compression inlet



### Inline Check Valve

PN 7140	Check Valve w/ Ball, 1/16" Barb.....	<b>\$10.30</b>
PN 7141	Check Valve w/ Ball, 1/8" Barb.....	<b>\$10.30</b>

- For use w/ non water retraction
- 1/16" or 1/8" barbs
- Allows flow in 1 direction only

*These parts are manufactured by DCI to fit Pelton & Crane® and Marus® equipment. DCI has no affiliation with Pelton & Crane or Marus. DCI replacement parts are not manufactured under license or supervision of Pelton & Crane® or Marus®.*



### Rectangular Pressure Gauge

- PN 7270 Rectangular Air Gauge.....\$32.70
- 0-60 PSI reading
  - For air only
  - 1/2" H x 1 3/4" W



### Asepsis Handpiece Holder

- PN 4869 Asepsis Holder, Gray, Normally Closed.....\$42.30
- PN 4568 Standard Asepsis Holder, Gray.....\$31.70
- PN 5983 Rear Port Micro Valve, Normally Closed.....\$12.20
- Air operated actuator control
  - Resists chemical discoloration
  - Designed for 1/2" bar-mounting
  - Adjustable tilt angle



### Exhaust Muffler / Oil Collector

- PN 7321 Muffler.....\$29.60

- Can be mounted through frame for removal from outside control head
- Will handle up to four handpieces
- Minimum back pressure
- Compact size to fit inside control head
- Filter media is standard cotton swab material



### Syringe Components

- PN 3085 Syringe Button Cartridge.....\$9.60
- PN 3066 Syringe Repair Kit.....\$8.50

- Fits standard style syringe



### Foot Control Repair Kits

- PN 6163 Foot Control Repair Kit.....\$12.20

- Wet / Dry Disc Type



### Solids Collector Screens

- PN 5823 Collector Screen.....\$.96
- PN 5822 Collector Screen (pkg of 100).....\$35.90
- PN 6821 Pelton & Crane® Spirit Line Solids Collector (pkg of 144).....\$52.80

- For use w/ 1500 series units
- Pelton & Crane™ S1 & S2
- Sirona / Siemens C2, C3, C4, C6

*These parts are manufactured by DCI to fit Pelton & Crane® and Marus® equipment. DCI has no affiliation with Pelton & Crane or Marus. DCI replacement parts are not manufactured under license or supervision of Pelton & Crane® or Marus®.*



### Marus Foot Style Control Repair Kit

PN **6166** Kit, (Marus #85R186)..... **\$46.50**

**Kit includes:**

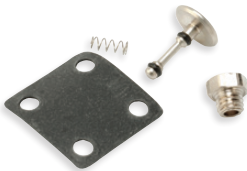
PN <b>6011</b>	Large Spring	\$2.20
PN <b>6018</b>	Piston	\$6.10
PN <b>2210</b>	Piston O-Ring (pack of 12)	\$3.01
PN <b>6012</b>	Conical Spring	\$1.25
PN <b>2207</b>	Body O-Ring (pack of 12)	\$3.01
PN <b>9010</b>	Poppet	\$7.80
PN <b>6016</b>	Poppet Cap	\$11.80
PN <b>6013</b>	Toggle Spring	\$2.28
PN <b>5948</b>	Pilot Valve	\$11.30
PN <b>9746</b>	6 x 1/2 Pan Head Phillips Screw	\$0.52
PN <b>6014</b>	6-32 x 1/4 Pan Head Phillips Screw	\$0.27



### Adjustable Cuspidor Hinge

PN **4152** Adjustable Cuspidor Hinge..... **\$33.40**

- Fits DCI 6000 and older Belmont cuspidors



### Foot Control Relay Repair Kit

PN **6165** Signal Relay Repair Kit..... **\$6.90**



6132

### Foot Control Toggle & Scaler Control Valves

PN **6132** Toggle Valve Assembly..... **\$25.40**  
 PN **6094** 3 Way Scaler Button Valve Assembly..... **\$25.40**

- Wet / Dry control toggle

*These parts are manufactured by DCI to fit Pelton & Crane® and Marus® equipment. DCI has no affiliation with Pelton & Crane or Marus. DCI replacement parts are not manufactured under license or supervision of Pelton & Crane® or Marus®.*

# Light Parts & Bulbs



260-263

A-dec® Style Parts



264-265

Belmont® Style Parts



266

Marus/Ritter/MDT  
Style Parts



267-271

Pelton & Crane® Parts



272-275

Replacement Bulbs



276

Light Posts  
& Accessories

*A-dec® is a registered trademark of A-dec, Inc. DCI has no affiliation with A-dec and A-dec has not authorized DCI replacement parts to be used on or in connection with A-dec® products.*

**FEATURED**



9390

### Light Shield to fit A-dec® 6300

PN **9390** Light Shield Only (A-dec® #28.0503.01).....**\$21.80**

- Replacement for A-dec 500®/6300 halogen lights
- Coated for easier cleaning and protection



9391



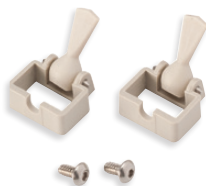
PN **9391** Nosepiece Only.....**\$57.00**  
 PN **9392** Light Shield w/Nosepiece (A-dec® #28.0503.02).....**\$73.50**



### Bulb to fit A-dec® 6300

PN **9364** Bulb, (A-dec® #041.709.00).....**\$24.90**

- 17 Volt / 95 watt
- Fits Cascade® "6300" lights
- Replaces older 24V 150W bulbs



### Light Shield Bracket Assembly to fit A-dec® 6300

PN **8619** Bracket Assembly, Surf (pkg of 2) (A-dec® #28.1012.00).....**\$14.40**

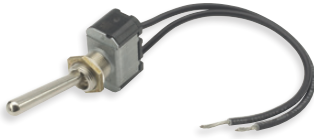
A-dec®, Cascade® and A-dec 500® are registered trademarks of A-dec, Inc. These parts are manufactured by DCI to fit A-dec® equipment. DCI has no affiliation with A-dec and A-dec has not authorized DCI replacement parts to be used on or in connection with A-dec® products.





### Power Switch to fit A-dec® Cascade® 6300

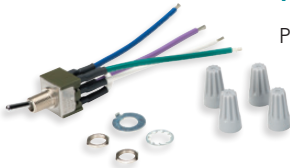
PN 8114 Power Switch.....\$22.80



- SPST Switch
- 125 Volt rating, 6" leads

### Intensity Switch to fit A-dec® Cascade® 6300

PN 2885 Intensity Switch, (A-dec® #90.1043.00).....\$45.60



- 3 position - High/Med/Low
- 6 amp rating
- 125 VAC
- Factory Installed Wires

### Circuit Breaker to fit A-dec® Cascade® 6300

PN 2888 Circuit Breaker, (A-dec® #046.123.000).....\$16.10

PN 9304 CircuitBreaker,Cascade®&Pre-Cascade®(A-dec®#28.0758.00).....\$31.50



2888



9304

- 10 amp
- Manual reset

### Bulb to fit A-dec® Performer®

PN 8688 Performer® Bulb, (A-dec® #041.513.00).....\$15.10



- H-3 Bulb Type, 12 Volt AC/55 watt

A-dec®, Cascade® and Performer® are registered trademarks of A-dec, Inc. These parts are manufactured by DCI to fit A-dec® equipment. DCI has no affiliation with A-dec and A-dec has not authorized DCI replacement parts to be used on or in connection with A-dec® products.



### Replacement Light Cable Assy

PN **9576** Replacement A-dec® 571 Light Cable Assy 216" ..... **\$144.90**  
 • A-dec® #28.1838.00



### Replacement Cable Kit for Lights

PN **9581** Replacement A-dec® Performer® & Pre-Cascade® 6300  
 Cable Kit from Light Through Flexarm to Postbox..... **\$103.50**  
 • A-dec® #90.1054.00



### Replacement Upgrade Toggle Kit

PN **9582** Replacement Upgrade Toggle Kit  
 A-dec® 371 Light Cable Ass..... **\$144.90**  
 • A-dec® #90.1314.00

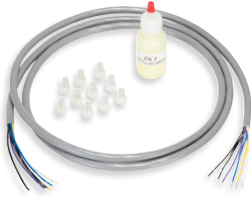


### Replacement Cable Kit for Lights

PN **9583** Replacement A-dec® Cascade® 6300 Cable Kit for Lights  
 Prior to April 1, 2004..... **\$113.90**  
 • A-dec® #90.1053.00

*A-dec®, Cascade®, Performer® and Perference® are registered trademarks of A-dec, Inc. These parts are manufactured by DCI to fit A-dec® equipment. DCI has no affiliation with A-dec and A-dec has not authorized DCI replacement parts to be used on or in connection with A-dec® products.*





### Replacement Ceiling Mount Cable Assy

**PN 9575** Replacement A-dec® 6300 Ceiling Mount Cable Assy for Lights after April 1, 2004..... **\$144.90**  
 • A-dec® #28.1587.00



### Replacement Wall Mount Cable Assy

**PN 9577** Replacement A-dec® 6300 Wall & Preference® Mount Cable Assy for Lights after April 1, 2004..... **\$144.90**  
 • A-dec® #28.1585.00



### Replacement Track Flexarm Cable Assy

**PN 9578** Replacement A-dec® 6300 Track Flexarm Cable Assy for Lights after April 1, 2004..... **\$113.90**  
 • A-dec® #28.1584.00



### Replacement Post Mount Cable Assy

**PN 9579** Replacement A-dec® 6300 Post Mount Cable Assy for Lights after April 1, 2004..... **\$144.90**  
 • A-dec® #28.1586.00



### Replacement Track & Trolley Cable Assy

**PN 9580** Replacement A-dec® 6300 Track & Trolley Cable Assy for Lights after April 1, 2004..... **\$113.90**  
 • A-dec® #28.1604.00

A-dec®, Cascade®, Performer® and Preference® are registered trademarks of A-dec, Inc. These parts are manufactured by DCI to fit A-dec® equipment. DCI has no affiliation with A-dec and A-dec has not authorized DCI replacement parts to be used on or in connection with A-dec® products.



### Belmont X-Calibur Light Shield

PN **8631** Belmont X-Calibur Light Shield, (Belmont #HLU 2005).....**\$8.30**

- Fits all rectangular shaped shields



8959

### Belmont Light Shield

PN **8603** Belmont Light Shield, (Belmont #8000 2005).....**\$8.60**

PN **8959** Clesta Light Shield.....**\$60.10**

- Fits all oval shaped shields



### Belmont Power Switch

PN **2886** Belmont Power Switch.....**\$28.00**

- DPDT - 3 position
- 115 Volt AC / 10 amp



### Download the DCI Catalog App

Looking for a digital version of the DCI Catalog? Visit the Apple or Android app store and download it today. View the catalog on your mobile device, iPad or laptop!

*These parts are manufactured by DCI to fit Belmont® equipment. DCI has no affiliation with Belmont. DCI replacement parts are not manufactured under license or supervision of Belmont®.*



## Belmont Bulbs



PN **8688** Belmont X-Calibur Bulb (Belmont #8000 1006)..... **\$15.10**

- H-3 Bulb Type
- 12 Volt AC / 55 watt



PN **8890** Belmont Clesta Light Bulb w/Black Tip, (Belmont #501074)..... **\$33.20**

- 24 Volt / 60 Watt Black Tip
- Fits all Belmont Clesta Lights (Belmont# 501074)



PN **9377** Belmont ECO Light Bulb w/Black Tip..... **\$49.70**

- 12 Volt / 55 Watt Black Tip
- Fits all Belmont ECO Lights (Belmont# GO4CADN29AO)



### TECH TIP

#### TRYING TO SOLVE A TOUGH TECHNICAL PROBLEM?

Visit the DCI Service Forum at [www.dcionline.com](http://www.dcionline.com) or the DCI Video Library where you can collaborate with fellow technicians and find the answers to the most challenging dental repairs!

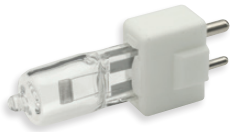
*These parts are manufactured by DCI to fit Belmont® equipment. DCI has no affiliation with Belmont. DCI replacement parts are not manufactured under license or supervision of Belmont®.*



### Marus & Ritter® Lens Shield

PN **8602** Marus & Ritter® Lens Shield, (Ritter #122845)..... **\$14.50**

- Redesigned to include notches for the bulb housing



### Marus & Ritter® Bulb

PN **8687** Marus & Ritter® Bulb, (Ritter #121720, Marus #014R207)..... **\$20.70**

- 24 Volt AC / 150 watt



### Marus & Ritter® Light Socket

PN **2965** Marus & Ritter® Light Socket..... **\$41.40**

- Fits all Marus & Ritter lights
- 17.5" factory installed wires

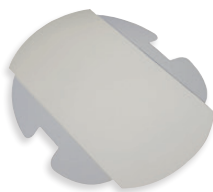


### Marus & Ritter® Power Switch

PN **8699** Toggle Switch, (Ritter #WO-34566)..... **\$12.50**

- SPST Switch
- 125 Volt AC / 10 amp

*These parts are manufactured by DCI to fit Marus & Ritter® and MDT equipment. DCI has no affiliation with Marus & Ritter or MDT. DCI replacement parts are not manufactured under license or supervision of Marus & Ritter® or MDT.*



### Pelton & Crane® LF I Lens Shield

PN **8600** LF I Shield, (P&C #006777)..... **\$9.40**



### Pelton & Crane® LF I & LF + Bulb

PN **8683** LF I & LF + Bulb, (P&C #3321879)..... **\$24.60**

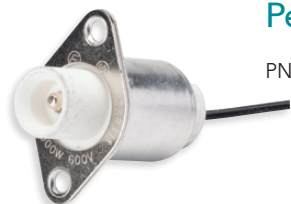
- 25 Volt AC / 150 watt



### Pelton & Crane® LF I Switch

PN **8114** Pelton & Crane® LF I Switch, (P&C #007096 & 3321853)..... **\$22.80**

- SPST switch
- 125 Volt AC / 15 amp



### Pelton & Crane® LF I, LF II & LF III Light Socket

PN **8636** Pelton & Crane® Light Socket (P&C #3336992)..... **\$23.50**

- Replacement lamp socket
- Improved contactor
- Stronger spring
- Improved wire connection

*These parts are manufactured by DCI to fit Pelton & Crane® equipment. DCI has no affiliation with Pelton & Crane. DCI replacement parts are not manufactured under license or supervision of Pelton & Crane®.*



### Pelton & Crane® LF II Lens Shield

PN **8601** LF II Shield, (P&C #3321598)..... **\$13.20**



### Pelton & Crane® LF II Bulb

PN **8683** Pelton & Crane® LF II Bulb, (P&C #3321879)..... **\$24.60**

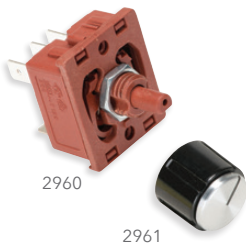
- 25 Volt AC / 150 watt



### Pelton & Crane® LF II Switch

PN **8114** Pelton & Crane® LF II Switch, (P&C #007096 & 3321853)..... **\$22.80**

- SPST Switch
- 125 Volt AC / 15 amp



### Pelton & Crane® LFII Dimmer Switch

PN **2966** Pelton & Crane® LFII Dimmer Switch w/ Knob..... **\$35.20**

PN **2960** Pelton & Crane® LFII Dimmer Switch  
(P&C ##3321820 & 013553)..... **\$25.90**

PN **2961** Pelton & Crane® LFII Dimmer Switch Knob  
(P&C #3322646/844845/015408)..... **\$12.50**

- 125 Volt AC / 15 amp

*These parts are manufactured by DCI to fit Pelton & Crane® equipment. DCI has no affiliation with Pelton & Crane. DCI replacement parts are not manufactured under license or supervision of Pelton & Crane®.*







### Pelton & Crane® LF II Reflector Bushing

PN 8700 Pivot Bushing (pkg of 2), (P&C #023940).....\$19.70

- For use on LF II Yoke & Frame Assembly
- Replaces existing worn bushings
- Slot for 5/8" wrench
- New high temperature material



### Pelton & Crane® LF II Light Post Bushing

PN 8470 Pelton & Crane® Light Post Bushing.....\$25.60

- Light Post Bushing
- 1 7/8" O.D. x 1 11/16" I.D. x 3" Long



### Pelton & Crane® Gas Spring Adjusting Tool

PN 8697 Gas Spring Adjusting Tool, (P&C #016749).....\$22.80

- For adjusting LF II light arm cylinder
- 5/16" Hex



### Pelton & Crane® Socket Retractor

PN 9289 Pelton & Crane® Socket Retractor.....\$4.35



Check out the DCI Video Library for how to use the P&C socket retractor!

These parts are manufactured by DCI to fit Pelton & Crane® equipment. DCI has no affiliation with Pelton & Crane. DCI replacement parts are not manufactured under license or supervision of Pelton & Crane®.

## LF II Light Spring Assembly

The **LF II Light Spring Assembly** directly replaces Pelton & Crane® unit, track, and ceiling-mount light arm springs and features a more durable brake block.



2733 Detail

2733  
Top View

### FEATURED

## LF II Light Spring Assembly

PN <b>2733</b> Unit Mount (P&C #9439738).....	\$207.00
PN <b>2734</b> Track/Ceiling Mount (P&C #1532907).....	\$207.00

- Replaces all unit, track or ceiling mount light arm springs
- Innovative durable brake block design
- Hardware & instructions included



## Robust Brake Block Design

**Machined Delrin**  
improves glide force  
& maintains tension

**Steel pins** hold  
brake block in place

**Heavy Duty  
Steel Stops**



9584

### Pelton & Crane® LF II Knuckle Supports

PN **9584** Pelton & Crane® Rear Knuckle Support (P&C #015806).....**\$107.70**



9572

PN **9572** Pelton & Crane® Front Knuckle (P&C #4191222).....**\$67.30**

- Machined Aluminum
- Includes: front knuckle support, 2 screws, pivot pin and installed bushing



### Pelton & Crane® LF II Pivot Pin

PN **9570** Pelton & Crane® Pivot Pin (P&C #3322604) (pkg of 2).....**\$13.50**



### Pelton & Crane® Drift Screw Kit

PN **9571** Pelton & Crane® Drift Screw Kit (P&C #006804).....**\$39.40**

*These parts are manufactured by DCI to fit Pelton & Crane® equipment. DCI has no affiliation with Pelton & Crane. DCI replacement parts are not manufactured under license or supervision of Pelton & Crane®.*

### Replacement LED Handpiece Bulbs



PN **9372** Kavo LED Handpiece Bulb.....\$70.60

- Requires 3.5 Volt DC
- Fits Kavo Turbines & Micro Motors



PN **9374** Bien-Air LED Handpiece Bulb.....\$70.60

- Requires 3.5 Volt DC
- Fits Bien-Air Micro Motors



NEW

PN **9395** Universal Tubing LED Bulb 3.5v DC.....\$70.60

- Fits DCI Universal ISO-C/ISO tubing, Midwest XGT, Stylus & Stylus ATC handpieces, and Beaverstate

### Replacement Handpiece Bulbs



PN **9360** Midwest Handpiece Bulb.....\$37.30

- 3.5 Volt / 750 MA
- Fits Midwest XGT, Stylus & Stylus ATC handpieces (DENTSPLY® #790257)



PN **9361** A-dec® / W&H Handpiece Bulb.....\$37.30

- 3.5 Volt / 750 MA
- Fits A-dec® / W&H handpieces 896, 898 & 898-LE
- (A-dec® #0.02207610)



PN **9362** Kavo Handpiece Bulb.....\$29.00

- 3.3 Volt / 4 watt
- Kavo Lux coupler previous PN 553-3881
- Current Kavo #1002.2928
- Dabi Atlante



PN **9363** A-dec® Handpiece Bulb (A-dec® #041.317.00).....\$72.50

- 3.5v, 750 MA
- Fits A-dec® 5-hole handpiece tubing

*A-dec® is a registered trademark of A-dec, Inc. These parts are manufactured by DCI to fit A-dec® equipment. DCI has no affiliation with A-dec and A-dec has not authorized DCI replacement parts to be used on or in connection with A-dec® products.*



## Replacement Bulbs



9364

PN **9364** 17 Volt / 95 watt, Cascade® Bulb, (A-dec® #041.709.00).....**\$24.90**

- Fits A-dec® Cascade® "6300"/ Midmark® AAll/ Forest 9000 series/ LSM/ A-dec® previously used bulb PN 041.179.01, 24 Volt AC / 150 watt



8890

PN **8890** 24 Volt / 60 Watt Black Tip, (Belmont# 501074).....**\$33.20**

- Fits all Belmont Clesta Lights



9377

PN **9377** 12 Volt / 55 Watt Black Tip, (Belmont# GO4CADN29AO).....**\$49.70**

- Fits all Belmont ECO Lights



8688

PN **8688** 12 Volt / 55 Watt H-3 Bulb.....**\$15.10**

- Fits A-dec® Performer® / Ampco Contender, Fiad / Healthco / SDS Fantastic Belmont / Celux / Chayes Virginia, DCI Equipment Pro 70 / Marus® Pro 72/ TPC L800/ SDS 1355



8687

PN **8687** 24 Volt AC / 150 Watt Bulb.....**\$20.70**

- Fits DentalEZ® Distinction / Forest, Faro Cool Beam / Henry Schein Knight / Marus® / Old Forest / Porter Daystar, Ritter K / Vacudent

A-dec®, Cascade® and Performer® are registered trademarks of A-dec, Inc. These parts are manufactured by DCI to fit A-dec® equipment. DCI has no affiliation with A-dec and A-dec has not authorized DCI replacement parts to be used on or in connection with A-dec® products.

### Replacement Bulbs



8696

PN **8696** 24 Volt AC / 150 Watt Bulb.....\$12.00

- Fits Dentech® / Eurodent, Faro Sunlight 70 / J. Morita / Knight L LSM / Planmeca Delight / SDS 1350, Siemens A1/E1 Sirona/ DentalEZ® Simplicity 3801-797/ DentalEZ® Advantage & Axcs



8683

PN **8683** 25 Volt AC / 150 Watt Bulb, (P&C #3321879).....\$24.60

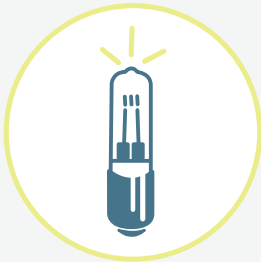
- Fits Pelton & Crane® LF+ / LF I / LF II / LF III



8684

PN **8684** 24 Volt AC / 100 Watt Bulb.....\$24.60

- Fits DCI Equipment light/ Midmark 355 (002-0640-00)



### Replacement Bulb Warranty

Bulbs are warranted to be free from manufacturing defect in material and workmanship at the time of installation in an electrical circuit having the correct characteristics. Bubbles in the quartz products are not defects and are not subject to warranty. Useful life of bulbs is not covered under warranty.



## Fiber Optic & Curing Light Replacement Bulbs



8692  
120 Volt AC /  
250 watt

PN 8692 ..... \$34.70

**Fits:**

- Chapman Huffman
- 60-575-00, 60-580-00,  
60-585-00,60-590-00
- DENTSPLY® Triad 2000
- Kavo Vicon DLS, LS Illuminator,  
Polar II
- Lares Quartz Fire SX
- Midwest Insight I and II, Tradition I
- Sci Can Dual Lux 2 Curing



8693  
12 Volt AC /  
75 watt (Flat Pins)

PN 8693 ..... \$44.90

**Fits:**

- 3M Visilux I, Visilux II, XL3000
- Almore OP II
- Coltene Coltolux Curing Units II,  
III and IV
- Darby Dental Superdent  
2001, 2005
- Degussa Degulux
- Demetron Optilux 101, 400, 403
- Demetron VCL-100, VCL-200,  
VCL-300
- First Medica Hilux 200
- Lares Apollo CP
- Lasac Tech LTI-5000
- Megadental Megalux
- Motloid Complite 660
- Penn Med 300L and  
310 Curing Guns
- Phasealloy Witelite Gun
- Unitek Ortholux, Ortholux XT
- Viva Dent Heliolux GT
- COE Lunar TA



8694  
12 Volt AC /  
100 watt

PN 8694 ..... \$44.90

**Fits:**

- EFOS Lite
- Proden Executor
- Henry Schein
- Kinetic Instrument Sunspot
- S.S. White Profile Curing Lite
- Teledyne Getz Focus
- L.D. Caulk Prismetics Lite



9365  
15 Volt AC /  
150 watt

PN 9365 ..... \$22.80

**Fits:**

- Air Tech VistaCam &  
VistaCam Elite
- Bosworth Superlight, Fuji
- DentaCam 2 & 50
- Healthco VLC Illumination Wand
- Deller Fiberlight Deadlight



9368  
12 Volt AC /  
75 watt (Round Pins)

PN 9368 ..... \$42.70

**Fits:**

- DENTSPLY®/Heathco Celebrity Perspective 1 & 2
- Integra ViperCam, Medtronics Dent03
- QuickCam DDS, Welsh Allyn Perspective 2



9370  
12 Volt AC /  
100 watt

PN 9370 ..... \$19.70

**Fits:**

- Acu-Cam Polo, Dentech Ultima II
- Kavo Vicon LS & LSII
- Micro Motors LHS 710 Fiberoptic

### FEATURED



53066

NEW

### Light Shield

PN **53066** DCI Edge/Reliance Light Shield..... **\$20.00**  
 • For DCI Edge/Reliance lights made January 2016 to present



8470



8476



8408

### Light Post Accessories

PN **8470** Pelton & Crane™ Light Bushing..... **\$25.60**  
 PN **8471** Ritter Light Bushing..... **\$25.60**  
 PN **8476** Crush Bushing for Base of Post..... **\$25.60**  
 PN **8472** Power Cord (8')..... **\$21.30**  
 PN **8474** 2" White Post Cap..... **\$30.10**  
 PN **8408** 2" Gray Post Cap..... **\$30.10**  
 PN **8475** 2" Stainless Post Cap..... **\$29.00**

- Nylon Bushing fits 2" Posts
- **8470:** 1 7/8" O.D. x 1 11/16" I.D. for P&C, A-dec®, Marus™, Belmont, Knight L, Midmark, TPC lights
- **8471:** 1 7/8" O.D. x 1 3/8" I.D. for Ritter K, Dental EZ, Proma, Daray, Faro, Forest lights



8431

### Light Post Extensions

WHITE	GRAY	METAL	LENGTH	
<b>8921</b>	<b>8969</b>	<b>8431</b>	24" Post w/ P&C Bushing.....	<b>\$240.00</b>
<b>8922</b>	<b>8972</b>	<b>8432</b>	24" Post w/ Ritter Bushing.....	<b>\$240.00</b>
<b>8463</b>	<b>8986</b>		30" Post w/ P&C Bushing.....	<b>\$260.00</b>
<b>8464</b>	<b>8987</b>		30" Post w/ Ritter Bushing.....	<b>\$196.70</b>
<b>8466</b>	<b>8409</b>	<b>8465</b>	Butterfly Clamp For 2" Post.....	<b>\$196.70</b>

- Kit includes light post bushing, "Butterfly" clamp, 8' extension cord & post
- 24" or 30" post length
- Scratch resistant powder coat finish



### Light Posts

WHITE	GRAY	METAL	LENGTH	
<b>8912</b>	<b>8939</b>	<b>8478</b>	24" Post.....	<b>\$140.80</b>
<b>8421</b>	<b>8940</b>	<b>8218</b>	30" Post.....	<b>\$150.10</b>
<b>8913</b>	<b>8945</b>	<b>8454</b>	40" Post.....	<b>\$196.70</b>
<b>8449</b>	<b>8949</b>	<b>8453</b>	48" Post.....	<b>\$217.40</b>
<b>8914</b>	<b>8952</b>	<b>8450</b>	60" Post.....	<b>\$226.70</b>
<b>8474</b>	<b>8408</b>	<b>8475</b>	Post Cap.....	<b>\$30.10</b>

- 2" Diameter posts
- Post painted w/ a scratch resistant powder coat finish

A-dec® is a registered trademark of A-dec, Inc. These parts are manufactured by DCI to fit A-dec® equipment. DCI has no affiliation with A-dec and A-dec has not authorized DCI replacement parts to be used on or in connection with A-dec® products.





# Chair & Stool Parts



278-279

Chair Accessories



280-282

Stool Parts



283-284

A-dec®



285

DentalEZ®



286

Pelton & Crane®

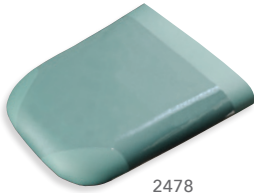


287-288

Chair Adapters

*A-dec® is a registered trademark of A-dec, Inc. DCI has no affiliation with A-dec and A-dec has not authorized DCI replacement parts to be used on or in connection with A-dec® products.*

## FEATURED



2478

## Toeboard Covers

Comes with all necessary attachment materials

PN 2478	MDT Champagne 1000.....	\$51.80
PN 2801	Healthco Celebrity.....	\$51.80
PN 2802	Belmont Bel 10.....	\$51.80
PN 2803	Marus® DC1690 & DC1535.....	\$51.80
PN 2804	Royal Model 16.....	\$51.80
PN 2807	Pelton & Crane® Coachman I & II.....	\$51.80
PN 2808	Pelton & Crane® Chairman.....	\$51.80
PN 2809	Pelton & Crane® Chairman 5000.....	\$51.80
<b>NEW</b> PN 2980	Pelton & Crane® Spirit 3000.....	\$49.70

## Toeboard Covers to fit A-dec® Chairs

Comes with all necessary attachment materials



2954



2955



2956



2957



2958

**NEW**

<b>NEW</b> PN 2806	Cover to fit A-dec® Cascade® 1040 Seamless, Decade 1011/1021/1221, Performer I & II (61-1679-00).....	\$51.80
PN 2954	Cover to fit A-dec® 511 Seamless, (A-dec® #62.0156.00).....	\$51.80
PN 2955	Cover to fit A-dec® 311 Seamless, (A-dec® #62.0676.00).....	\$51.80
PN 2956	Cover to fit A-dec® 511 Sewn, (A-dec® #62.0184.00).....	\$51.80
PN 2957	Cover to fit A-dec® 311 Sewn, (A-dec® #62.0685.00).....	\$51.80
PN 2958	Cover to fit A-dec® 1040 Sewn & Performer® III, (A-dec® #61.2619.00).....	\$51.80

A-dec®, Decade®, Cascade® and Performer® are registered trademarks of A-dec, Inc. These parts are manufactured by DCI to fit A-dec® equipment. DCI has no affiliation with A-dec and A-dec has not authorized DCI replacement parts to be used on or in connection with A-dec® products.



FEATURED

NEW  
ITEMS

### DCI Edge Foot Switches



- PN 51770 Foot Switch Assembly, Series 4, Models C5550 & C4550.....\$510.00  
 PN 51979 Foot Switch Assembly, Series 5,  
 Model C5052 (prior to March 2019).....\$510.00

### Marus Foot Switch Rebuild Kit

- PN 2761 Marus Foot Switch Rebuild Kit  
 (Marus #85R233).....\$269.10

**Kit includes:**

- 3/8" Nylon Balls, 2 ea.
- 1/4" Nylon Balls, 4 ea.
- Micro Switches, 6 ea.
- 1/8" x 1/2" Stainless Pins, 4 ea.
- Cover Plate Assy, 1 ea.
- Switch with Pin Assy, 2 ea.
- Activator Springs, 2 ea.
- Activator Pin Bushings, 4 ea.
- Foot Switch Insulator, 1 ea.



### Hydraulic Oil

- PN 2691 Hydraulic Oil.....\$18.00

- 10 wt Hydraulic Oil
- For use on all Hydraulic Chairs
- 1 Pint
- Non-Foaming



## Cart & Stool Casters

**Our Cart & Stool Casters** are replacements for most dental stools. Offered in gray and surf to match existing casters.



54108

### FEATURED



## Cart & Stool Casters

PN <b>2946</b>	Soft wheel for hard floor caster, Gray.....	<b>\$10.80</b>
PN <b>2972</b>	Soft wheel for hard floor caster, Gray, (pkg of 5).....	<b>\$49.70</b>
PN <b>2948</b>	Soft wheel for hard floor caster, Surf.....	<b>\$10.80</b>
PN <b>2973</b>	Soft wheel for hard floor caster, Surf (pkg of 5).....	<b>\$49.70</b>
PN <b>8010</b>	Hard wheel for carpet, Gray.....	<b>\$15.60</b>
PN <b>8002</b>	Cart Caster Insert.....	<b>\$8.00</b>
PN <b>54108</b>	Hard Floor Caster, PU Tread, Taupe (DCI Edge/Reliance).....	<b>\$10.00</b>

**NEW**



#### Replacement For Most Dental Stools

Casters fit DCI Stools and several manufacturer lines of dental stools.



#### Available In Two Popular Manufacturers Colors

Match existing casters with a choice of gray or surf.



#### Soft Wheels For Hard Floor

Most DCI's Cart & Stool Casters are made to roll smoothly on hard floors.



### TECH TIP

## LOOKING FOR STOOLS TO PAIR WITH YOUR CASTERS?

Refer to our Reliance tab on page 12 in the catalog for more information on the types of stools that we offer.





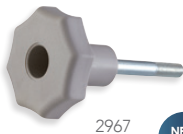
## Stool Cylinders

PN <b>2952</b>	Assistant Stool Cylinder, 50mm Dia. (P&C #047039, Marus #30509).....	<b>\$108.70</b>
	<ul style="list-style-type: none"> <li>• 22.5" Fully Extended, 7.5" Travel</li> <li>• For use on Pelton &amp; Crane® Model 2004 &amp; Marus Models DC5130 &amp; DC5030</li> </ul>	
PN <b>2953</b>	Doctor Stool Cylinder, 50mm Dia. (P&C #047038, Marus #30510).....	<b>\$108.70</b>
	<ul style="list-style-type: none"> <li>• 17" Fully Extended, 5.5" Travel</li> <li>• For use on Pelton &amp; Crane Model 2003 &amp; Marus Models DC5140 &amp; DC5040</li> </ul>	
PN <b>2962</b>	Assistant Stool Cylinder, 45mm Dia. (P&C #041772, Marus #75R089, A-dec® #65.0208.00).....	<b>\$108.70</b>
	<ul style="list-style-type: none"> <li>• 22.5" Fully Extended, 7.5" Travel</li> </ul>	
PN <b>2963</b>	A-dec® Assistant Stool Cylinder, 45mm Dia. (A-dec #65.0209.00).....	<b>\$108.70</b>
	<ul style="list-style-type: none"> <li>• 22.5" Fully Extended, 7.5" Travel</li> </ul>	
PN <b>2964</b>	Doctor Stool Cylinder, 45mm Dia. (A-dec® #65.0227.00, P&C # 041789, Marus 75R088).....	<b>\$108.70</b>
	<ul style="list-style-type: none"> <li>• 17" Fully Extended, 5.5" Travel</li> </ul>	
PN <b>54115</b>	Assistant's Stool Gas Cylinder, 200mm (DCI Edge/Reliance).....	<b>\$110.00</b>
PN <b>54106</b>	Doctor's Stool Gas Cylinder, 140mm (DCI Edge/Reliance).....	<b>\$110.00</b>
PN <b>54117</b>	Stool Gas Cylinder, 100mm (DCI Edge/Reliance).....	<b>\$110.00</b>



See our **Stool Cylinder Guide** at [www.dcionline.com](http://www.dcionline.com)

## FEATURED



2967

NEW ITEMS

## Backrest Knobs

PN <b>2967</b>	Backrest Knob, Surf (A-dec® #027.074.00).....	<b>\$6.80</b>
PN <b>2968</b>	Backrest Knob, Gray.....	<b>\$6.80</b>
	<ul style="list-style-type: none"> <li>• (For Newer Pelton &amp; Crane®, Marus, &amp; A-dec®)</li> </ul>	
PN <b>54628</b>	Assistant's Stool Arm Swing Support Replacement Knob (DCI Edge/Reliance).....	<b>\$3.00</b>
PN <b>54627</b>	Dr's Stool Backrest Adjustment Replacement Knob (DCI Edge/Reliance).....	<b>\$12.00</b>
PN <b>54626</b>	Dr's Stool Backrest Adjustment Replacement Bolt (DCI Edge/Reliance).....	<b>\$3.00</b>



## TECH TIP

Measure the largest diameter of the Stool Cylinder to confirm if it's 45 or 50mm before ordering!

A-dec® is a registered trademark of A-dec, Inc. These parts are manufactured by DCI to fit A-dec® equipment. DCI has no affiliation with A-dec and A-dec has not authorized DCI replacement parts to be used on or in connection with A-dec® products.



Easy Online Ordering



### Rocker Switch to fit A-dec® Multi-Function Foot Switch

PN **2810** Rocker Switch (A-dec® #041.119.00).....\$13.80

- For Multi-Function Switch 10A, 125/250 VAC

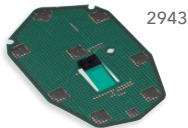


### Push-Button Switch to fit A-dec® Multi-Function Foot Switch

PN **9260** Push-Button Switch (A-dec® #041.059.00).....\$12.90

- For Auto Return & Pre-Positioning Functions: SPST 5A, 24 VAC

## FEATURED



2943

NEW

### Membrane to fit A-dec® Foot Switch

PN **9588** Foot Switch Assembly (Includes 2943 Membrane).....\$414.00

PN **2943** Membrane (A-dec® #61.3048.00).....\$80.80

- Fits on A-dec® Performer®, 1021, 1040, 311 & 511 Series Chairs



9588

NEW

PN **9589** Foot Switch Cover Only

(Includes 6 Screws, A-dec® 61.3049.00).....\$43.50



### Cable Assembly to fit A-dec® Foot Switch

PN **9587** Cable Assembly (A-dec® #62.0186.00).....\$51.80

- Fits on A-dec® Performer®, 1021, 1040, 311 & 511 Series Chairs

A-dec®, and Performer® are registered trademarks of A-dec, Inc. These parts are manufactured by DCI to fit A-dec® equipment. DCI has no affiliation with A-dec®. DCI replacement parts are not manufactured under license or supervision of A-dec®.



### Capacitor to fit A-dec® Chairs

PN 9245 Capacitor w/ Boot for 100 Volt, 115 Volt or 240 Volt (A-dec® #90.1031.00).....**\$72.50**

- Fits Cascade®, Decade®, Positioner, Priority & Performer® III chairs manufactured before 2/2001
- MF-UF 50 +/- 10%

### Limit Switches to fit A-dec® Chairs



PN 9240 Chair Limit Switch (A-dec® #044.184.01).....**\$14.30**

- Base function: Cascade® 1040, Decade® 1021/1020, 1010/1011, Priority 1005, Performer® III
- Back function: Priority 1005
- Stop function: Decade® 1020/1021, Priority 1005



PN 9242 Chair Limit Switch (A-dec® #61.2065.00).....**\$14.30**

- Back function: Cascade® 1040



PN 9244 Chair Limit Switch (A-dec® #044.183.00).....**\$11.20**

- Chair stop function: Cascade® 1040, Decade® 1021 "after 6-1998", Performer® I & II

### Limit Switch

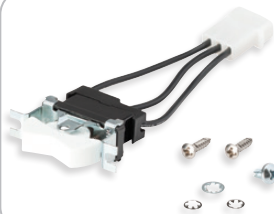
PN 2794 Limit Switch.....**\$24.90**



- "Cherry" Limit Switch
- 125/250 volt AC 6/3 amp
- Used on P&C Chairman, P&C Coachman, DentalEZ®, Chayes Virginia and A-dec® chairs
- Spade Terminal Connections
- Base up/down Performer® 1 & 2
- Back up function Decade® 1020/1021, 1010/1011, Performer® 3

A-dec®, Performer®, Decade® and Cascade® are registered trademarks of A-dec, Inc. These parts are manufactured by DCI to fit A-dec® equipment. DCI has no affiliation with A-dec and A-dec has not authorized DCI replacement parts to be used on or in connection with A-dec® products.





### DentalEZ® Chair Momentary Switch Kit

PN 2928 On-Off-On Three Position Switch (DentalEZ® #3800-100).....\$23.90

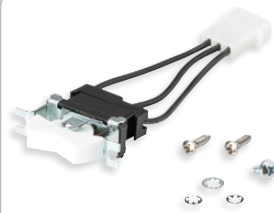
- On/Off/On Momentary
- Kit includes Switch, Push Nuts (Qty 10), #6 x 5/8" Screws (Qty 2)
- PL200, J & V Series



### DentalEZ® Chair Maintained Switch Kit

PN 2930 Switch Replacement Kit (DentalEZ® #3800-148).....\$23.90

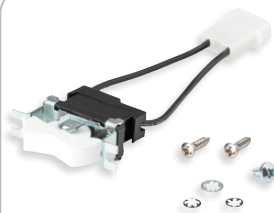
- On/Off/On Momentary
- Kit includes Auto Position Switch, Tinnerman Nuts (Qty 4), #8 Lock Washer, 8-32 x 1/4" Cut Screw, #6 x 5/8" Sheet Metal Screws (Qty 2)
- PL200, J & V Series
- For Seat Tilt



### DentalEZ® Chair Momentary Switch Kit

PN 2929 Momentary Switch Replacement Kit (DentalEZ® #3800-101).....\$38.30

- On/Off/On Momentary
- Textured rocker switch
- Kit includes Momentary Switch, Qty 4 Tinnerman Nuts, #8 Lock Washer, 8-32 x 1/4" Cut Screw, #6 x 5/8" Sheet Metal Screws (Qty 2)
- PL200, J & V Series
- For Auto Position / Return



### DentalEZ® Chair Switch Kit

PN 2931 Chair Switch Kit (DentalEZ® #3800-579).....\$51.80

- On/Off Maintained
- Kit includes on/off switch, Qty 4 Tinnerman Nuts, #8 Lock Washer, 8-32 x 1/4" Cut Screw, #6 x 5/8" Sheet Metal Screws (Qty 2)
- JSR / VSR chair top



### DentalEZ® J Chair Arm Pivot Stop

PN 2799 Arm Pivot Stop (pkg of 2) (DentalEZ® #3800-112).....\$8.30

- Slotted on both ends for easy removal
- 5/16" - 24

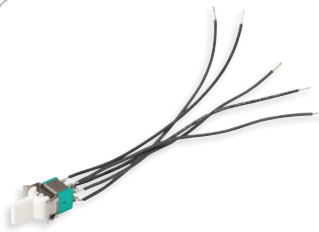
*These parts are manufactured by DCI to fit DentalEZ equipment. DCI has no affiliation with DentalEZ. DCI replacement parts are not manufactured under license or supervision of DentalEZ.*



### Pelton & Crane™ Potentiometer

PN 9258 Potentiometer.....\$18.20

- P&C & Marus #015R017, Spirit chairs & Marus hydraulic chairs
- 5 ohm +/- 20%



### Pelton & Crane® Chairman Chair Switch

PN 9247 Back Recline Switch (P&C #007428).....\$49.70

- White toggle
- Momentary



### Pelton & Crane® Chairman Chair Switch

PN 9248 Base Lift Switch (P&C #007427).....\$49.70

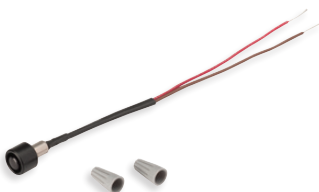
- Black toggle
- Can also be used for Traverse Switch
- Momentary



### Pelton & Crane® Chairman Chair Auto Position Switch

PN 9249 Pre Position Switch (P&C #007898).....\$37.30

- Red push button
- Wires already attached



### Pelton & Crane® Chairman Chair Auto Return Switch

PN 9254 Auto Return Switch (P&C #007899).....\$37.30

- Black push button
- Wires already attached

*These parts are manufactured by DCI to fit Pelton & Crane® equipment. DCI has no affiliation with Pelton & Crane. DCI replacement parts are not manufactured under license or supervision of Pelton & Crane®.*



### Chair Adapters to fit:



PN **8522** A-dec® Cascade® 1040.....\$410.00



PN **8515** A-dec® Priority 1005 & 1010.....\$410.00



PN **8500** A-dec® Decade® 1020, 1021, 1221 and 1015.....\$410.00



PN **8538** A-dec 500®.....\$410.00



PN **8493\*** Belmont Bel 07-50 Celib-Pro-Xcal, Westar 2001, Westar 5000, LSM DC-100, LSM C0H0.....\$410.00



PN **8917** Belmont Acutracc, B99, Clesta.....\$410.00



PN **8552** DentalEZ® E3000.....\$414.00

- Chair adapters feature a scratch resistant light gray powder coat finish.

\* White scratch resistant powder coat finish

*A-dec®, Cascade®, Decade® and A-dec 500® are registered trademarks of A-dec, Inc. These parts are manufactured by DCI to fit A-dec® equipment. DCI has no affiliation with A-dec and A-dec has not authorized DCI replacement parts to be used on or in connection with A-dec® products.*

## FEATURED

### Chair Adapters to fit:



PN **8919** DentalEZ® Advantage E2000..... \$410.00



PN **8506** DentalEZ® J, PL200..... \$414.00



**NEW**

PN **8920** Chair Adapter Forest 6000 Assy..... \$414.00



PN **8561** Marus™ Pro 1300-1600, DCI Equipment,  
Pelton & Crane 1700 ..... \$410.00



PN **8497** Royal..... \$410.00



PN **8918** Pelton & Crane™ Spirit 1500, 1800, 2005, 330, 3000, SP30,  
Marus™ / Schein Empire..... \$410.00



PN **8568** Pelton & Crane™ Coachman, Chairman 5000..... \$414.00



PN **8488** 2" Hub..... \$414.00



PN **8438** 8" Floor mount for 2" post..... \$266.60

- Chair adapters feature a scratch resistant light gray powder coat finish.

*A-dec® is a registered trademark of A-dec, Inc. These parts are manufactured by DCI to fit A-dec® equipment. DCI has no affiliation with A-dec and A-dec has not authorized DCI replacement parts to be used on or in connection with A-dec® products.*

# Compressor & Vacuum Parts



290-292

Mechanical Room  
Accessories



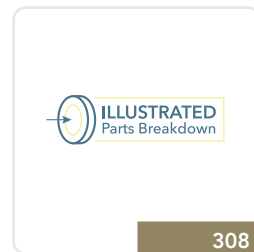
293-303

Compressor  
Parts



304-307

Vacuum Parts



308

Illustrated Parts  
Breakdown



## Water Security Systems

**The new Water Security Systems** come in 3/4" and 1" sizes, including replaceable water filters, a control panel shut-off, and durable pex pipes.



### FEATURED

## Water Security Systems

<div style="border: 1px solid black; border-radius: 50%; padding: 2px; display: inline-block;">NEW ITEMS</div>	<div style="font-size: 2em; margin-right: 5px;">{</div>	<b>PN 2396</b> 3/4" System, PEX, w/ Filter & 24 Volt Relay.....	<b>\$1,014.30</b>
	<b>PN 2395</b> 1" System w/ Filter & 24 Volt Relay.....	<b>\$1,345.50</b>	

- Filters incoming water supply & shuts off water from control panel
- Remote shut off of all water supply to dental equipment to prevent accidental water damage
- Allows servicing without disruption to the dental practice
- 20 Micron Filter
- 4BA72 Housing Wrench used for W1100 can be purchased from Granger to aid in Housing removal
- 4BA73 Housing Wrench used for W2100 can be purchased from Granger to aid in Housing removal



**Replaceable Water Filter**

Filters can be easily swapped out by simply screwing or unscrewing the bottle from the cap.



**Control Panel Shut-Off**

Remotely shut off water to the office when closed.



**Durable Pex Pipes**

The pex pipes filter the water and increase the longevity of the delivery unit.

**FEATURED**

**Water Security Replacement Parts**



2051



2076



2075

PN 2051	Water Filter 2 1/2" x 10" (pkg of 2).....	\$42.70
PN 2076	Water Filter 4 1/2" x 10" (pkg of 2).....	\$85.30
PN 2302	Flat Gasket For Filter Housing 3/4".....	\$4.66
PN 2303	Flat Gasket For Filter Housing 1", 1 1/4", 1 1/2".....	\$12.00
PN 2050	Filter Housing 3/4" FPT.....	\$72.50
PN 2073	Filter Housing 1" FPT.....	\$140.80
PN 2052	115V Solenoid 3/4".....	\$389.20
PN 2030	Low Voltage Control Box, 115/230 Input 24 VAC.....	\$447.80
PN 2075	115V Solenoid 1".....	\$448.20



2970

## Buck & Boost Transformers

PN 2969	Single Phase 3500 VA Buck & Boost Transformer.....	\$403.70
PN 2970	Single Phase 5000 VA Buck & Boost Transformer.....	\$465.80
PN 2971	Single Phase 7500 VA Buck & Boost Transformer.....	\$610.70

- UL & CSA Approved
- Front accessible separate High and Low voltage leads



2030

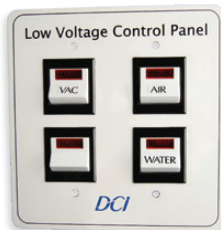


2862

## Low Voltage Control Box

PN 2030	Low Voltage Control Box, 115/230 Input.....	\$447.80
PN 2862	Fuse Holder.....	\$26.40

[Contact Customer Service](#)  
for replacement parts.



## Control Panels

LED BULBS NOW  
COME STANDARD

PN 2900	Single Switch Panel / Expandable to 4.....	\$319.90
PN 2901	Dual Switch Panel / Expandable to 4.....	\$362.50
PN 2902	Triple Switch Panel / Expandable to 4.....	\$405.10
PN 2904	Quad Switch Panel.....	\$447.80
PN 2723	Remote 24 Volt Red LED Light Switch.....	\$42.70

- Fits standard 2 gang electrical box
- Includes custom labeling kit
- 24 Volt lighted LED rocker switches







2487

### Copeland Capacitor / Relay Controls

PN 2509	1 HP 115 Volt (MDT # 3-08-0233-07)	\$248.40
PN 2487	1 HP 230 Volt (MDT #3-08-0234-07)	\$331.20

- Original Copeland component
- Prewired & tested
- 115 or 230 Volt AC



2606

### Copeland Start / Run Capacitors

PN 2420	Start Capacitor 3/4 & 1 HP 230 Volt (MDT #3-08-0219-10)	\$55.90
PN 2606	Start Capacitor 1 HP 115 Volt (MDT #3-08-0218-10)	\$55.90
PN 2702	Run Capacitor 1 HP 115 Volt (MDT #3-08-0223-10)	\$97.30
PN 2703	Run Capacitor 1 HP 230 Volt (MDT #3-08-0224-10)	\$97.30

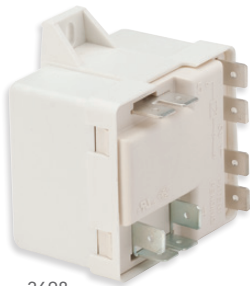
- Original Copeland component
- 115 or 230 Volt AC
- 3/4 or 1 HP



### Copeland Thermal Protector

PN 2694	3/4 HP 230 Volt (MDT #3-08-0231-10)	\$72.50
PN 2566	1 HP 230 Volt (MDT #3-08-0229-10)	\$60.10

- Original Copeland component
- 3/4 or 1 HP

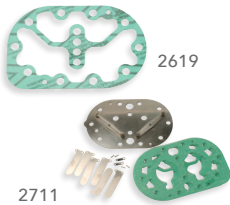


2698

### Compressor Relay Assembly

PN 2699	1 HP Relay Assembly, 115 VAC (MDT #3-08-0213-00)	\$55.90
PN 2419	1 HP Relay Assembly, 208-230 VAC (MDT #3-08-0214-10)	\$55.90

- Original Copeland components
- Available in 115 or 208-230 VAC



## Lubricated Compressor Head Repair Kits

PN <b>2619</b>	Head Gasket (MDT #3-08-0243-10)	<b>\$18.70</b>
PN <b>2711</b>	Valve Plate Kit (MDT #3-08-0278-10)	<b>\$239.10</b>

- Original Copeland components
- 3/4 or 1 HP



## Copeland Sight Glass Kit

PN <b>2649</b>	Sight Glass Kit	<b>\$63.80</b>
PN <b>2414</b>	Sight Glass Only (MDT #3-08-0092-10)	<b>\$28.50</b>
PN <b>2633</b>	Sight Glass Tool (MDT #301789)	<b>\$43.50</b>

- Original Copeland component
- Requires DCI tool 2633
- Replaces damaged sight glass



## Copeland Intake Filter

PN <b>2545</b>	Filter Assembly	<b>\$66.30</b>
PN <b>2423</b>	Element Only	<b>\$29.00</b>

- Filters intake air to 40 microns
- Extends service life of compressor
- Reduces noise
- 1/2" ID Intake Tubing



## Copeland Oil Filler / Breather

PN <b>2540</b>	Breather Filter (MDT #301876)	<b>\$18.70</b>
----------------	-------------------------------	----------------

- Vents crankcase
- Reduces crankcase oil foaming



## Cooling Fan Assembly

PN <b>2696</b>	115 Volt Fan (MDT #3-08-0578-10)	<b>\$59.00</b>
PN <b>2422</b>	230 Volt Fan (MDT #3-08-0563-10)	<b>\$59.00</b>
PN <b>2697</b>	Finger Guard (MDT #3-08-0399-10)	<b>\$10.70</b>

- Cools compressor heads
- 105 cfm
- Cools sound covers





### P Series Portable Lubricated Air Compressor

PN **P050** 1 User / 1/2 HP / Single Head / .93 Gal Tank / 115 Vac.....**\$2,931.40**

- 115 Volt - 50-60 Hertz
- Quiet operation
- 2.1 CFM
- Relief Valve Rated at 145 PSI
- Only 44 lbs
- Compact size 11" x 11" x 11 7/8"
- 6 month warranty



2920

### Jun-Air & Panther Compressor Parts

PN **2920** Valve Plate.....**\$372.60**

PN **2921** Case Cover O-Ring Seal.....**\$54.40**



2921

PN **2813** Intake Filter (Jun-Air 541200).....**\$82.80**

PN **7242** Coalescing Filter 40 Micron.....**\$41.40**



2813

7242

- For repairing Jun-Air & Werther compressors



### Jun-Air Synthetic Lubricated Compressor Oil

PN **2945** Synthetic Lubricated Compressor Oil,  
24 oz (Jun-Air # SJ-27).....**\$82.80**

- 20 wt



2485

### Non-Synthetic Lubricated Compressor Oil

PN **2485** 16 oz. Bottle.....**\$10.90**

PN **2647** Case of 6.....**\$64.20**

- 20w non-detergent (non-synthetic)
- High grade lubricating oil
- High dielectric properties



2012

## Oil-less Head Intake Filter Element

PN 2170	Intake Filter w/ Housing, 3/4 MPT.....	\$38.40
PN 2012	Oil-less Head Intake Filter Element, 2".....	\$16.60



2170

- 5 Micron element
- Fits DCI & Tech West compressors
- Extends coalescing filter life



## Oil-less Head Intake Filter Element

PN 2947	Oil-less Head Intake Filter Element, 3".....	\$17.10
---------	--	---------

- 2 Micron Paper Filter
- 3" OD x 1.38" tall
- Fits Tech West Oil-less Compressor models  
ACO4S2, ACO4S2ND, ACO8D2, ACO8D2ND

## Discharge Hoses



2867

PN 2868	13" Hose.....	\$59.00
PN 2869	16" Hose.....	\$68.40
PN 2870	20" Hose.....	\$70.90

- Braided stainless steel construction
- 200 PSI rating
- 1/4" MPT x #6 SAE Female swivel (3/8" Flair)
- Fits DCI / Air Tech / others





2003



2925

## DCI Coalescing Filter

PN 2003	Coalescing Filter .....	\$414.00
PN 2925	Check Valve.....	\$18.70

- Teflon coated interior
- FDA approved high efficiency
- 0.01 micron rating
- 1/4" NPT
- Fits DCI compressors
- Not compatible to compressors with sound covers



## DCI Coalescing Filter Indicator

PN 2008	Coalescing Filter Indicator.....	\$101.50
---------	----------------------------------	----------

- Informs user of clogged element
- Changes from green to red
- Includes O-Ring
- Use a 15/16" wrench for removal



## DCI Coalescing Filter Element

PN 2006	Coalescing Filter Element.....	\$201.90
---------	--------------------------------	----------

- High particle holding capacity
- 0.01 micron rating
- FDA approved for high purity applications



## Parker Coalescing Filter Element

PN 2692	Replacement Element.....	\$89.40
---------	--------------------------	---------

- Fits newer Tech West & older MDT compressors
- 0.01 micron rating
- Fits in older DCI 2401 Coalescing Filter 10oz



### Coalescing Filter to fit DentalEZ®

PN 2935 Coalescing Filter to fit DentalEZ® (DentalEZ® #JA081602).....**\$258.80**

- For DentalEZ® current 10 series compressors



### Intake Filter to fit DentalEZ®

PN 2932 Intake Filter to fit DentalEZ® (DentalEZ® #5412210).....**\$117.30**

- For DentalEZ® 700 & 800 series prior to serial # 440537



### Carbon Filter to fit DentalEZ®

PN 2821 Carbon Filter to fit DentalEZ® (DentalEZ® #JA4080500).....**\$130.50**

- For DentalEZ® 700 series lubricated compressors
- For JUN-AIR lubricated compressors
- Combo filter



2421



2424

### MDT Quick Exhaust Purge Valves

PN 2421 Quick Exhaust Valve (MDT #3-08-0308-10)..... **\$116.00**

PN 2424 Exhaust Muffler 1/4" (MDT #3-08-0942-10)..... **\$15.00**

- Use w/ MDT style drying chambers
- Used to purge drying chamber
- 1/4" NPT





2501

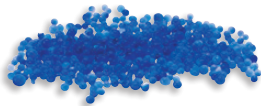


2923

## Desiccant Chambers

PN 2501	MDT Chamber w/o Window.....	\$481.30
PN 2400	Blue Recharge Kit For 2541, Single Tank.....	\$150.10
PN 2481	Brown Recharge Kit For 2501, Single Tank.....	\$191.50
PN 2923	Nipple w/ Filter 3/8" x 2" w/ .015 wire mesh (used in 2014 chamber).....	\$31.70

- MDT chamber includes silica gel desiccant
- Removes moisture from air



2950



2951

## Desiccant

PN 2950	Blue Silica Gel Desiccant.....	\$30.10
PN 2951	Brown Silica Gel Desiccant.....	\$26.40
PN 2016	White Molecular Sieve Desiccant.....	\$21.80

- Sold in 1 lb bags



## Air Techniques Drying Chamber Purge Valve

PN 2940	Purge Solenoid Valve, 230 Volt (Air Techniques #85946).....	\$248.40
---------	---	----------

- 1/4" NPT normally open
- Includes conduit
- 9.5 Watts
- 150 PSI
- 3/32 Orifice



2848

### Time Operated Purge Valve

PN 2848	115 Volt.....	\$167.70
PN 2011	230 Volt.....	\$167.70
PN 2166	Solenoid Repair Kit.....	\$51.80

- Normally closed valve
- Adjustable interval & duration
- Replaces DCI C series & DentalEZ®
- 6 ft. power cable
- 1/4" FPT



2417

### Pressure Switches

PN 2417	Unloading for MDT, Apollo/Midmark (ECS10445), Compressors.....	\$124.20
PN 2005	Non-unloading for DCI, Tech West PSC-3 Compressors.....	\$89.10
PN 2489	Pressure Switch, Unloading for Dual & Triple Head Compressors.....	\$399.60



2005

- Starts and stops compressor motors
- 1/4" FPT



2826

### Pressure Gauges

PN 2826	Economy.....	\$19.70
PN 2856	Liquid Filled.....	\$49.70



2856

- 2" dial face
- 0-160 PSI
- 1/4" Center back connection





## Check Valves



PN 2135	Stainless Check Valve 1/4" Male x Female.....	<b>\$60.20</b>
PN 2502	3/8" FPT w/ Internal Bleed, 15 or 30 Gallon Tank.....	<b>\$91.10</b>
PN 2572	3/8" FPT w/ Internal Bleed, 5 Gallon Tank.....	<b>\$91.10</b>
PN 2550	3/8" FPT w/o Internal Bleed.....	<b>\$115.50</b>

- Allows flow in one direction only

## FEATURED

## Relief Valve



PN 2513	Relief Valve 125 PSI.....	<b>\$27.00</b>
PN 2013	Relief Valve 165 PSI.....	<b>\$49.70</b>

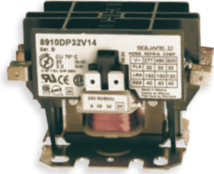
- ASME certified
- 1/4" MPT

## Compressor Hook-up Hose



PN 2857	Hook-up Hose.....	<b>\$67.30</b>
---------	-------------------	----------------

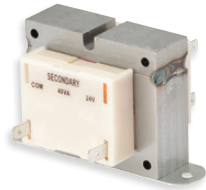
- 6 ft. flexible hose
- 250 PSI rated
- 3/8" MPT x 1/2" MPT



### 24 Volt Contactor

PN 2858 Contactor.....\$88.00

- 24 Volt AC coil
- 30 amp / 1.5 hp rating
- Double pole contacts
- Fits most low voltage controls



### Control Transformer

PN 2846 Transformer 115/230 x 24 VAC.....\$78.20

- Used in low voltage control systems
- Amperage rating 40 VA
- Transforms 115V, 208V, 230V to 24 VAC



### Vacuum Breaker

PN 2833 1/4" NPT.....\$74.60  
 PN 2834 3/8" NPT (DentalEZ 64622011).....\$74.60  
 PN 2941 Vacuum Breaker Repair Kit for 1/4" & 3/8" NPT.....\$35.20  
 PN 2835 1/2" NPT.....\$80.80  
 PN 2942 Vacuum Breaker Repair Kit for 1/2" FPT.....\$39.40

- Anti-siphon valve
- For use on all liquid ring pumps
- Chrome plated brass version





2676

### Brass Swing Check Valve

PN 2676	3/4" NPT.....	\$34.20
PN 2839	1" NPT.....	\$55.90

- Used on dual vacuum pumps
- Prevents vacuum loss while running one pump



2841

### Water Flow Controls

PN 2841	0.13 GPM.....	\$93.20
PN 2842	0.19 GPM.....	\$93.20
PN 2843	0.25 GPM.....	\$93.20
PN 2844	0.5 GPM.....	\$93.20
PN 2845	1.0 GPM.....	\$93.20

- Original OEM valve
- 3/8" NPT
- Nickel plated brass
- Multiple flow rates
- For use on all liquid ring pumps



2838

### Inline Strainer

PN 2837	3/4" NPT.....	\$58.70
PN 2838	1" NPT (DentalEZ 64501940).....	\$77.70
PN 2028	1 1/2" NPT.....	\$85.30

- For use on all vacuum systems
- 3/4" / 1" / 1 1/2" NPT



2149



2148



2677

## Inline Strainer Components

PN 2677	1 1/2" x 3 11/16" Long Strainer Screen, for 3/4" strainer.....	\$9.50
PN 2678	2 1/4" x 4 7/32" Long Strainer Screen, for 1" strainer.....	\$9.70
PN 2054	2 1/2" x 5 1/2" Long Strainer Screen, for 1.5" strainer.....	\$9.70
PN 2149	Bowl for 3/4" Inline Strainer.....	\$24.90
PN 2567	Bowl for 1" & 1 1/2" Inline Strainer.....	\$42.00
PN 2148	Gasket for 3/4" Inline Strainer Bowl.....	\$6.50
PN 2096	Gasket for 1" & 1 1/2" Inline Strainer Bowl.....	\$8.50



## Vacuum Gauge

PN 7268	Vacuum Gauge.....	\$21.80
---------	-------------------	---------

- 1/4" NPT Bottom connection
- 0-30" hg



704

## Vacuum Tubing

PN 704	3/4" I.D. Hose (per ft.).....	\$3.08
PN 705	1" I.D. Hose (per ft.).....	\$3.19
PN 707	1 1/2" I.D. Hose (per ft.).....	\$4.56
PN 709	2" I.D. Hose (per ft.).....	\$7.10

- For connection from pump to building plumbing
- Rated to 29" hg
- Provides flexible connection
- Order clamps separately





9350

### Stainless Steel Hose Clamps

PN 9350	Stainless Steel Hose Clamps 3/8" - 7/8" (pkg of 10)	\$20.50
PN 9351	Stainless Steel Hose Clamps 1/2" - 1 1/4" (pkg of 10)	\$22.80



0858

0850

### Garden Hose Connector

PN 0858	Barb Connector	\$19.10
PN 0850	Washer (pkg of 10)	\$7.50

- 3/4" male barb x garden hose female
- For use on suction & drain
- Includes sealing washer



5835

### Vacuum Line Cleaner

PN 5835	Pint Bottle	\$16.10
PN 5836	Case of 12 Pints	\$176.00
PN 5837	1/2 Gallon Bottle	\$53.40

- Continuous cleaning action
- Environmentally safe
- NON foaming
- Contains NO hazardous materials
- 1/2 Gallon provides 128 uses
- Cleans vacuum systems & eliminates odors associated w/ organic waste



2155

### Vacuum Pump Oil for use with RAMVAC®

PN 2155	Vacuum Pump Oil, 1 Quart	\$27.00
PN 2156	Vacuum Pump Oil, 1 Quart - Case of 6	\$161.50

- Mobil oil 1 - 15W50, fully synthetic



2879

### V Type Drive Belts to fit RAMVAC® Bison

PN 2879	002163 / 41", Bison 3 & 9	\$25.90
PN 2880	002164 / 42", Bison 5	\$25.90
PN 2881	002360 / 40", Bison 7	\$25.90

- V-type belts
- Fits Bison vacuums
- Exact OEM replacement

*These parts are manufactured by DCI to fit RAMVAC equipment. DCI has no affiliation with RAMVAC. DCI replacement parts are not manufactured under license or supervision of RAMVAC.*



2874

### Cogged-Type Belts to fit RAMVAC® Bulldog

PN <b>2874</b>	OO2035 / 580 mm, Bulldog QT 1.....	<b>\$77.70</b>
PN <b>2875</b>	OO2027 / 600 mm, Bulldog QT 2.....	<b>\$77.70</b>
PN <b>2876</b>	OO2034 / 545 mm, Bulldog QT 3.....	<b>\$77.70</b>
PN <b>2877</b>	OO273 / 650 mm, Bulldog 855 w/ 615 RPM.....	<b>\$77.70</b>
PN <b>2878</b>	OO274 / 670 mm, Bulldog 855 w/ 815 RPM.....	<b>\$77.70</b>

- Cogged type belt
- Exact OEM replacement



2028



2096

### Line Strainer

PN <b>2028</b>	Strainer Assy.....	<b>\$85.30</b>
	<ul style="list-style-type: none"> <li>• Captures large contaminants</li> <li>• May be cleaned or disposable</li> </ul>	<ul style="list-style-type: none"> <li>• Transparent bowl</li> <li>• 1 1/2" NPT</li> </ul>
PN <b>2567</b>	Bowl Only.....	<b>\$42.00</b>
PN <b>2054</b>	2 1/2" x 5 1/2" Long Screen Only.....	<b>\$9.70</b>
PN <b>2096</b>	Gasket Only.....	<b>\$8.50</b>



### Slip Fit Check Valve

PN <b>2884</b>	1 1/2" Check Valve.....	<b>\$99.40</b>
----------------	-------------------------	----------------

- Double union design
- Easily removed from piping
- NOT threaded or glued
- Used on drains



2019



2137



2128

### Replacement Dry Rotary Vane Pump

PN <b>2019</b>	3/4 HP Vacuum Pump.....	<b>\$2,322.60</b>
----------------	-------------------------	-------------------

- Gast®
- 3/4 HP
- Dual voltage 115 / 230 Volt
- Fits Apollo / Matrix / Midmark® / Tech West / DCI

**SHIPS VIA UPS GROUND**

PN <b>2137</b>	Filter Elements.....	<b>\$36.30</b>
----------------	----------------------	----------------

PN <b>2128</b>	Exhaust Silencer.....	<b>\$58.50</b>
----------------	-----------------------	----------------





2139

### Vane Kit for Thomas Surgical Pump

PN **2139** Replacement Vane Kit-Thomas Surgical Vacuum (pk of 4)..... **\$274.80**



2604

### Surgical Suction Collection Bottle Gaskets

PN **2604** Surgical Suction Collection Bottle Assembly Gasket,  
Suction Bottle Cap 2.73" O.D., .180" THK ..... **\$19.20**



2415

PN **2415** Surgical Suction Collection Bottle Gasket  
2" I.D., 2.73" O.D., .125" THK..... **\$4.14**



5586

### Holder Activated AVS System

PN **5586** Holder Activated AVS System..... **\$403.70**

- Air powered oral evacuation
- Requires 50 PSI minimum air pressure
- 1 quart plastic collection bottle
- Mounts to underside of dental unit or cabinet
- Precision Comfort® HVE & Traditional Tubing

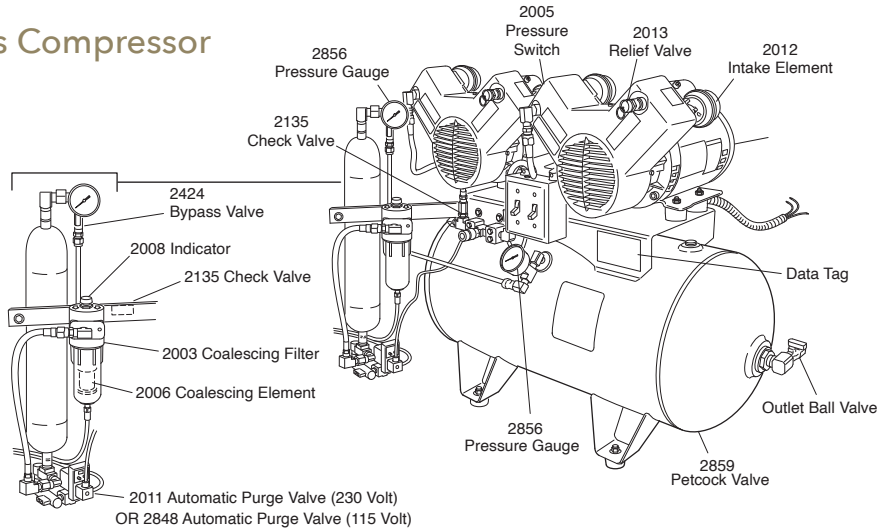


5582

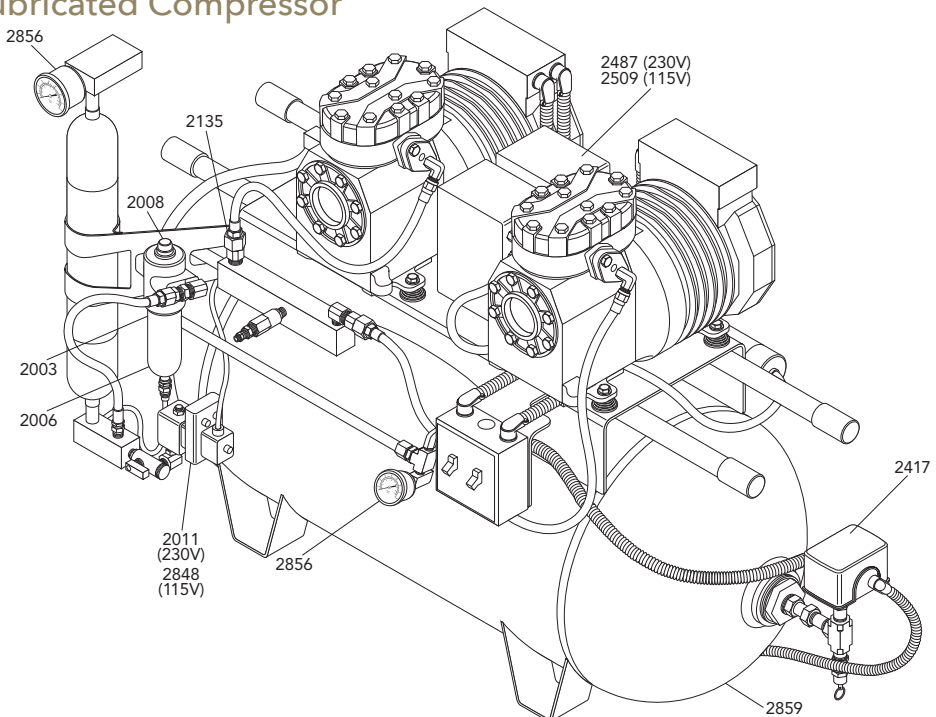
PN **5582** 1 Quart Replacement Bottle..... **\$31.10**

- 1 quart plastic collection bottle

## Oil-Less Compressor



## Lubricated Compressor





# Sterilizer Parts



310-311

A-dec®/W&H Lisa



311-313

Midmark/Ritter



313-314

MDT & Harvey



315-318

Pelton & Crane®



319-320

SciCan® 2000



321-323

Tuttnauer®

*A-dec® is a registered trademark of A-dec, Inc. DCI has no affiliation with A-dec and A-dec has not authorized DCI replacement parts to be used on or in connection with A-dec® products.*



### Air Intake Filter to fit A-dec®/W&H Lisa

PN 2812 Air Intake Filter (A-dec® #54.0067.00)..... \$58.00

- Replace every 400 cycles
- 3 Micro filtration



### Gasket to fit A-dec®/W&H Lisa

PN 2186 Gasket (A-dec® #54.0014.00)..... \$72.50



1823

### Water Line Parts to fit A-dec®/W&H Lisa

PN 1823 Water Supply Tubing..... \$10.40/ft.

- Used in A-dec® #54.0029.00/54.0181.00 assemblies
- Water supply/drain tubing for A-dec Lisa sterilizer



### Vacuum Pump Membrane Kit to fit A-dec®/W&H Lisa

PN 9420 Membrane Kit (A-dec® #54.0051.00)..... \$434.70

**Kit Includes:**

- Diaphragms, Qty. 2
- Butterfly Valves, Qty. 4
- O-Rings, Qty. 2

A-dec® is a registered trademark of A-dec, Inc. These parts are manufactured by DCI to fit A-dec® equipment. DCI has no affiliation with A-dec and A-dec has not authorized DCI replacement parts to be used on or in connection with A-dec® products.





### Water Pump to fit A-dec®/W&H Lisa

PN **9303** Water Pump (A-dec® #54.0049.00).....\$269.10  
 • 230 Volt



9423

### EV Valves to fit A-dec®/W&H Lisa

PN **9423** EV5, (used in A-dec® #54.0090.00).....\$227.70  
 PN **9424** EV1/EV3 (A-dec® #54.0048.00).....\$260.90  
 PN **9425** EV2/EV4 (used in A-dec® #54.0027.00).....\$277.40



2192

### Midmark® Style M9 & M11 Solenoids (Old Style)

PN **2192** Midmark® M9 & M11 Vent Solenoid (old style)  
 (Midmark® #002-366-00).....\$138.60



2193

PN **2193** Midmark® M9 & M11 Fill Solenoid (old style)  
 (Midmark® #002-365-00).....\$181.30



### M9 & M11 Fan

PN **2189** M9 & M11 Fan, 115V (Midmark® #015-1368-00).....\$51.80

A-dec® is a registered trademark of A-dec, Inc. These parts are manufactured by DCI to fit A-dec® equipment. DCI has no affiliation with A-dec and A-dec has not authorized DCI replacement parts to be used on or in connection with A-dec® products.

FEATURED



### M11 Door Seal Kit

**Midmark® M11 Door Seal Kits** are manufactured by DCI to directly fit Midmark® autoclaves and meets the original manufacturer's specifications.



PN 2195 M11 Door Seal Kit  
(Midmark® #002-0504-00 & #057-0790-00)..... **\$98.40**

- Includes gasket, dam & hoop

FEATURED

### M9 Door Seal Kit

**DCI manufactures Midmark® M9 Door Seal Kits** to fit Midmark® autoclaves directly and meets the original manufacturer's specifications.



PN 2194 M9 Door Seal Kit  
(Midmark® #002-0361-01 & #057-0790-01)..... **\$93.20**

- Includes gasket, dam & hoop





### M9 & M11 Chamber Screens

PN **2320** M9 and M11 Chamber Screens (pkg of 2)  
(Midmark® #002-0360-00)..... **\$17.60**



### Midmark® / Ritter Style Thermostat M7 / M9 / M11

PN **2905** Thermostat (Midmark® #002-0370-00)..... **\$27.00**



### Midmark® / Ritter Style Relief Valve M9 & M11

PN **2816** Relief Valve (Midmark® #002-0359-00)..... **\$186.30**

- Original OEM replacement
- Rated for 35 PSI
- 1/2" NPT



### Midmark® / Ritter Style M7 Door Seal

PN **2117** Door Seal (Midmark® #H98134 & #33166)..... **\$27.00**

- For use w/ Midmark® M7 & M7 Speedclave



### Midmark® / Ritter Style M7, M9 & M11 Relief Valve

PN **2815** Relief Valve (Midmark® #H98089 & #11683)..... **\$82.80**

- Original OEM replacement
- 1/8" NPT
- 38 PSI



8674

### MDT & Harvey Style Indicator Lamps

PN **8671** Solution Indicator Light, Red (MDT #250056901)..... **\$10.40**

PN **8673** Temperature Indicator Light, Amber (MDT #250056921)..... **\$11.40**

PN **8674** Sterile Indicator Light, Green (MDT #250056931)..... **\$9.40**

- For use on: Aquaclave 10, 20 & 30, Chemiclave E, 4000, 5000, 5500 & 6000
- 125 VAC, 1/3 watt
- Includes Tinnerman® clip



2098

### MDT & Harvey Style Door Gaskets

**MDT & Harvey Style Door Seal** are manufactured by DCI to directly fit MDT & Harvey autoclaves and meets the original manufacturer's specifications.

#### FEATURED



2098

### MDT & Harvey Style Door Gaskets

PN **2098** Door Seal for MDT GLS 8" (MDT #2-60834)..... **\$84.90**



2099

PN **2099** Door Seal for MDT GLS 10" (MDT #2-513005)..... **\$84.90**



2108

PN **2108** Door Seal for Chemiclave 5500, 7000 & Aquaclave 20 (MDT #280000301)..... **\$18.70**



2109

PN **2109** Door Seal for Chemiclave E, 4000, 5000 & Aquaclave 10 (MDT #250007801)..... **\$15.00**





## Pelton & Crane® Style Temperature Gauge OCM / OCR

PN 2118 Temperature Gauge (P&C #014451 & #4700147).....\$173.90

- For use w/ Pelton & Crane® models OCM & OCR
- Dual scale: 50°-350° F / 40°-176° C



## Pelton & Crane® Style Relief Valve

PN 2816 Relief Valve (P&C #004146).....\$186.30

- 1/2" NPT
- Brass pull ring for testing
- Fits OCM & OCR
- Rated for 35 PSI



## Pelton & Crane® Style Delta Check Valve Kit

PN 2818 Pelton & Crane Delta Check Valve Kit (P&C #5440586).....\$68.40

- 1/8" NPT Female



## Pelton & Crane® Style Delta Air Compressor 2000

PN 2906 Compressor (P&C #3325086).....\$745.20

- 115 Volt AC
- Fit all Delta models
- 24" Lead
- Includes check valve PN 2818



### TECH TIP

Always be sure to change out your Statim tubing once it becomes contaminated with debris. Restrictions in the tubing cause longer drying cycles.

*These parts are manufactured by DCI to fit Pelton & Crane® equipment. DCI has no affiliation with Pelton & Crane. DCI replacement parts are not manufactured under license or supervision of Pelton & Crane®.*

## Pelton & Crane® Style Door Seals & Gaskets

**DCI manufactures Pelton & Crane® Style Door Seals** to fit Pelton & Crane® autoclaves directly and meets the original manufacturer's specifications.



2100

**FEATURED**

### Pelton & Crane® Style Door Seals & Gaskets

PN **2100** Door Seal for 8" OCM (P&C #004014)..... **\$42.30**

- Meets original manufacturer's specifications







2100

**Direct Replacement**

The door seal is a direct replacement for Pelton & Crane® doors.

**Meets Manufacturers Specs**

8" Door Seal is intentionally designed to meet manufacturers specifications.

### Pelton & Crane® Style Door Seals & Gaskets



2101



PN 2101 Door Seal for 10" OCR (P&C #004341)..... **\$48.90**



2102



PN 2102 Door Seal & Dam for 8" Delta / Delta XL / Validator (P&C #1539241)..... **\$46.60**



2103



PN 2103 Door Seal & Dam for 10" Delta / Delta XL / Validator (P&C #1539407)..... **\$53.90**

PN 2104 Door Spacer For All 8" or 10" Delta / Delta XL / Validator (P&C #3322281)..... **\$6.30**

- Meets original manufacturer's specifications



2104

**DELTA & VALIDATOR DOOR SEALS  
NOW INCLUDE DAM**



### Pelton & Crane® Style Fill / Vent Water Filter

PN 2111 Fill / Vent Filter (P&C #1881031 & #004326).....\$11.30

- For use w/ Pelton & Crane® models: Sentry, OCM, OCR, Validator 8 & 10, Delta 8 & 10, Delta XL 8 & 10
- 120 to 150 micron



### Pelton & Crane® Style Reservoir Filter

PN 2157 Reservoir Filter (P&C #9432311).....\$22.80

- 120 micron brass filter w/ 3/8
- 24 FPT
- Fits Validator & Delta



#### TECH TIP

SEARCH OVER 5,000 OEM PART NUMBERS



SEARCH

Check out the A-dec® and Pelton & Crane® **Cross-Reference Guide** on page 347, a valuable resource for finding the correct OEM part.

#### LOOKING FOR OTHER MANUFACTURERS?

Visit [www.dcionline.com](http://www.dcionline.com) and search DCI's extensive cross-reference database with **over 5,000 OEM part numbers!**

Quickly find what you need. Search by brand, category, keyword, or reference.



*These parts are manufactured by DCI to fit Pelton & Crane® autoclaves.*

*A-dec® is a registered trademark of A-dec, Inc. These parts are manufactured by DCI to fit A-dec® equipment. DCI has no affiliation with A-dec and A-dec has not authorized DCI replacement parts to be used on or in connection with A-dec® products.*





## Statim Steam Bottle

PN 2120	Statim Steam Bottle.....	\$279.50
PN 2174	Statim Air Gap Kit (backflow prevention device).....	\$82.80
PN 2125	High Temperature Teflon Tubing 21' Max Length.....	\$5.20 /ft.

- No maintenance Statim Steam collection bottle
- Includes installation hardware
- Converts steam from Statim to liquid & routes to sink



2909

## Statim Solenoid Valve Kit 2000 & 5000

PN 2910	Statim Solenoid Valve Kit 2000.....	\$266.60
PN 2911	Statim Solenoid Valve Kit 5000.....	\$266.60
PN 2909	Statim Solenoid Valve 2000 & 5000.....	\$191.90
PN 2912	Repair Kit for Solenoid Valve (DCI kits only).....	\$101.50
PN 9341	Swivel Elbow Fitting for Exhaust Tubing.....	\$8.80
PN 9342	Straight Fitting for Exhaust Tubing.....	\$6.30



2911

- 2-way normally closed
- Rated to 175 PSI
- 1/8"NPT
- 115 Volt AC
- Includes swivel push-in elbow fitting



2912



## SciCan® Relief Valve 2000 & 5000

PN 2817	SciCan® Relief Valve (SciCan® #01-106787S).....	\$58.70
---------	---	---------

- 1/8" NPT
- 70 PSI



### SciCan® Check Valve Kit 2000 & 5000

PN **2818** SciCan® Check Valve 2000 & 5000 (SciCan® #01-100574S)..... **\$68.40**

- 1/8" NPT Female



### SciCan® Air Compressor 2000

PN **2906** Compressor (SciCan® #01-100560S)..... **\$745.20**

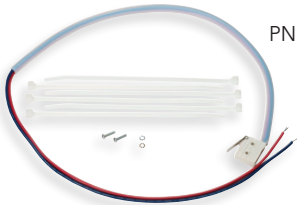
- 115 Volt AC
- Fits model 2000
- 24" Lead
- Includes check valve PN 2818



### SciCan® Power Switch 2000 & 5000

PN **2895** Power Switch (SciCan® #01-100573S)..... **\$9.90**

- Double pole / single throw
- 125-250 VAC
- Panel mount 3/4 x 1/2



### SciCan® Cassette Switch Kit 2000

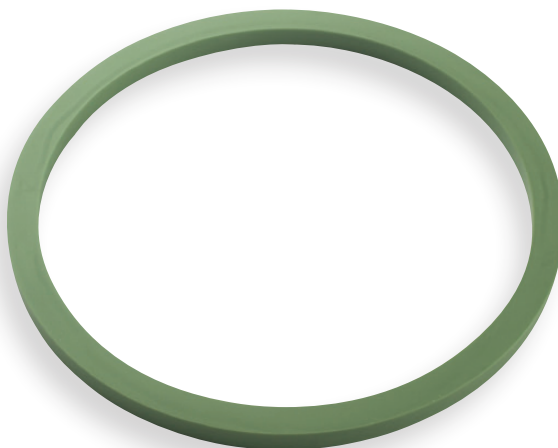
PN **2896** Cassette Switch Kit (SciCan® #01-00571S)..... **\$38.30**

- Cherry micro switch
- 115 VAC
- 5 amp



## Tuttnaver® Style Door Seals

**Tuttnaver® Style Door Seal** are manufactured by DCI to directly fit Tuttnaver® autoclaves and meets the original manufacturer's specifications.



2105

### FEATURED



2106



2107

### Tuttnaver® Style Door Seals

PN <b>2105</b>	Door Seal for Tuttnaver® 1730 Series (Tuttnaver® #02610020).....	<b>\$43.50</b>
PN <b>2106</b>	Door Seal for Tuttnaver® 2340 Series, serial #8805 & below (Tuttnaver® #02610005).....	<b>\$53.90</b>
PN <b>2107</b>	Door Seal for Tuttnaver® 2540 Series (Tuttnaver® #02610023).....	<b>\$53.90</b>

- Manufactured by DCI to fit Tuttnaver® autoclaves
- Meets original manufacturer's specifications

8671  
shown

### Tuttnauer® Style Indicator Lights

PN 8671	Lamp, Red (Tuttnauer® #P-77117-143)	\$10.40
PN 8673	Lamp, Amber (Tuttnauer® #P-77117-145)	\$11.40
PN 8674	Lamp, Green (Tuttnauer® #P-77117-144)	\$9.40

- 125 VAC - 1/3 watt
- Includes mounting clip



### Tuttnauer® Style Relief Valve

PN 2889	37 PSI Relief Valve (Tuttnauer® #03110003)	\$40.40
PN 2191	40 PSI Relief Valve (Tuttnauer® #03110002)	\$40.40

- 1/4" MPT Relief



### Tuttnauer® Style Power Switch

PN 2890	Power Switch (Tuttnauer® #01910172)	\$23.30
---------	-------------------------------------	---------

- Double pole / single throw
- 125-250 VAC / 16 amp
- Illuminated switch



### Tuttnauer® Style Fan

PN 2907	Fan (Tuttnauer® #04203801)	\$45.60
---------	----------------------------	---------





### Tuttnauer® Style Limit Switch

PN 2892 Main Valve Limit Switch (Tuttnauer® #01910191).....\$23.50

- Mounts to main valve assembly
- 2 1/2" arm
- 125-250 VAC / 15 amp
- Fits all models



### Tuttnauer® Style Door Switch

PN 2891 Door Switch (Tuttnauer® #01910190).....\$31.10

- Wired normally open
- 125-250 VAC / 15 amp
- Fits all models



### Tuttnauer® Style Circuit Breaker 7 Amp

PN 2898 7 amp Circuit Breaker (Tuttnauer® #01910099).....\$16.10

- Push to reset
- 7 amp rating
- Fits model 1730 (230) Volt M&E



### Tuttnauer® Style Circuit Breaker 15 Amp

PN 2899 15 amp Circuit Breaker (Tuttnauer® #01910100).....\$16.10

- Push to reset
- 15 amp rating
- Fits models: 1730 (115) Volt M, E, MK, & EK,  
1730 (230) Volt MK & EK 2340 / 2540 (115) Volt  
M & E, 2340 / 2540 (230) Volt M, E, MK, & EK  
3870 (230) Volt M & E





# Scaler Parts



326-328

Dentsply™  
Foot Switches



329

Dentsply™  
Water Regulators



330

Dentsply™ Solenoid  
Valves & O-Ring



331

Q.D. Panels &  
Mounting Brackets



332

Tubing & Holders

## Cavitron® Plus™ Wired Foot Switch Replacement

The **Cavitron® Plus™ Wired Foot Switch Replacement** is an affordable replacement for Dentsply products. The Foot Switch features a traditional design, a wired connection and is a direct fit for Dentsply Cavitron®, Cavitron® Plus™ Scaler, and JET Plus™.



**Wired Connection**  
Direct replacement for Cavitron® Plus footswitch, this wired version is more affordable and provides a direct connection.

9415

### FEATURED

## Cavitron® Plus™ Wired Foot Switch Replacement

**NEW** PN **9415** Wired Replacement for Cavitron® Plus™ Scaler & Cavitron® JET Plus™..... **\$310.50**

- Replacement for Dentsply #81674
- 2 Position
- 8' Cord

## Cavitron® Select™ SPS™ Power Supply

The Cavitron® Select™ SPS™ Power Supply is a 2 position, 8' cord power replacement for Dentsply products.



9414

### FEATURED

## Cavitron® Select™ SPS™ Power Supply

NEW

PN **9414** Replacement PowSupply for 30K Cavitron®  
Select™ SPS™

\$207.00

- Replacement for Dentsply #674022001
- 2 Position
- 8' Cord



### DENTSPLY® Style Foot Switch

PN 9407 Foot Switch (DENTSPLY® #60473).....\$176.00

- 2 Position
- Fits various DENTSPLY® products



### Cavitron Foot Switch

PN 9401 Cavitron Foot Switch For 3000 & 2002  
(DENTSPLY® #61187).....\$128.40

- Single position switch
- 8' Cord



### DENTSPLY® Style Bobcat Foot Switch

PN 9408 DENTSPLY® Bobcat Foot Switch (DENTSPLY® #77885).....\$134.60

- Single position switch
- 8' Cord



### Cavitron SPS Type Foot Switch

PN 9405 Cavitron SPS Foot Switch (DENTSPLY® #565138002).....\$184.30

- 2 Position
- 8' Cord



### Cavitron Select Type Foot Switch

PN 9400 (DENTSPLY® #565162002).....\$190.50

- Single Position Switch
- 8' Cord



### Cavitron Select SPS Type Foot Switch

PN 9406 (DENTSPLY® #565162005).....\$170.80

- 2 Position
- 8' Cord





### Dentsply™ Style Water Regulator w/ Extended Stem

PN 7209 Water Regulator w/ Extended Stem (Dentsply™ #79685).....\$76.60

- Fits Dentsply™ models w/ extended stem
- Includes 1/4" poly flow connector



### Dentsply™ Style SPS Type Water Regulator

PN 7199 Dentsply™ SPS Type Water Regulator (Dentsply™ #80742).....\$147.00

- Fits Cavitron Jet w/ SPS Technology & Cavitron w/ SPS Technology

**FEATURED**



### Dentsply™ Style Regulator

PN 7094 Water Regulator (Dentsply™ #60407).....\$57.00

- Includes 1/4 x 10-32 poly connector (0054)
- To fit the following units: Cavitron® 3000 & 2002, Prophy-Jet® 30, Cavi-Jet® 30, Cavi-Endo® 25, Cavi-Med

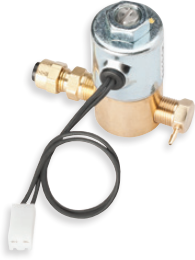
**FEATURED**



### Luer Lock Fittings

**NEW**

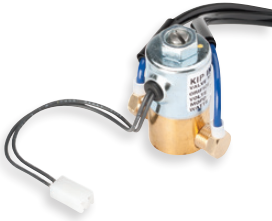
PN 9276 Luer Lock Fittings, Cavitron In-Line Filter, pkg of 5.....\$11.40



## Bobcat Water Solenoid Valve Assembly

PN **9402** Bobcat Water Solenoid Valve Assembly (DENTSPLY® #77792)..... **\$153.20**

- 24 Volt AC
- 1/8" FPT
- 3/32" Orifice
- For Cavi Jet 30 / Cavitron 2002/3000 / Cavi Endo / Cavi Med



## Cavitron Water Solenoid Valve Assembly

PN **9404** Cavitron Water Solenoid Valve Assembly (DENTSPLY® #776030250)..... **\$153.20**

- 24 Volt
- 1/8" FPT
- 3/32" Orifice



## DENTSPLY® SPS Style Water Solenoid Valve

PN **2939** DENTSPLY® SPS Style Water Solenoid Valve (DENTSPLY® #571070003)..... **\$144.90**

- Fits DENTSPLY® Cavitron SPS w/ SPS Technology & Cavitron Jet w/ SPS Technology
- 24 Volt DC
- 2, 1/8" FPT Ports



## Cavitron Type Insert O-Rings

PN **2307** Cavitron Type Insert O-Rings, (pkg of 12) (DENTSPLY® #62605)..... **\$17.10**

- Autoclavable
- Fits Cavitron Jet Nozzle, SlimLine, P Style, Cavitron Med & Pel inserts



### Know the OEM #? Need the DCI PN?

Use the *DCI Cross Reference Database* on [www.dcionline.com](http://www.dcionline.com) to quickly search over 5,000 OEM PN's.



Download DCI's App

### Air & Water Auxiliary Q.D. Panels



PN 6559	Gray Auxiliary Panel.....	\$190.00
PN 6569	White Auxiliary Panel.....	\$190.00

- Mounts in any vertical access panel up to 5/8" thick
- 1/4" Water quick connect w/ flow control
- Available in white or gray
- 3/8" Air quick connect w/ on/off switch
- Dimensions 3" x 4"

### Valve / Switch / Q.D. Mounting Brackets



PN 7078	Single Mount, L: 1 1/2" H: 7/8" W: 3/4".....	\$7.20
PN 7079	Dual Mount, L: 3" H: 7/8" W: 3/4".....	\$9.40
PN 7114	Triple Mount, L: 3" H: 7/8" W: 3/4".....	\$20.70

- 1/2" I.D. mounting holes
- White powder coat finish
- Used to mount toggles, indicators, Q.D.'s & air electric switches

### 3/4" & 1/2" I.D. Toggle Mounting Bracket



PN 7113	Q.D. Mounting Bracket, L: 3" H: 7/8" W: 3/4".....	\$18.70
---------	---	---------

- One 1/2" mounting hole
- One 3/4" mounting hole
- White powder coat finish



640

## Ultrasonic Scaler Tubing

PN **640** Straight (7 ft. Length)..... **\$28.50**



631

## Propy Tubing 7 ft. Length

GRAY	BLACK		
<b>631</b>	<b>630</b>	For DENTSPLY® / Cavitron Propy-Jet Model C-100 & C-200.....	<b>\$29.40</b>
<b>636</b>	<b>635</b>	For DENTSPLY® / Cavitron Propy-Jet Model C-300 / Model 104 & Cavi-Jet Model G105.....	<b>\$34.20</b>

### FEATURED

## Electric Auto Holders



4562



5967

GRAY	WHITE	BLACK	
<b>5967</b>	<b>4562</b>	<b>5966</b>	Normally Open..... <b>\$58.00</b>
<b>5969</b>	<b>4563</b>	<b>5968</b>	Normally Closed..... <b>\$58.00</b>
<b>5976</b>			HVE Normally Closed..... <b>\$58.00</b>

- Holder assembly w/ low voltage switch for direct activation of electrical accessory
- On/off lockout toggle, 5966-5969
- 125 Volts AC / DC 5 amps



Visit the DCI Video Library for a demonstration on adjusting automatic holders.



## Cavitron Handpiece Sleeve Assembly

PN **5912** Sleeve Assembly..... **\$9.70**

- Adapts handpiece assembly to fit standard holders
- Molded plastic w/ set screw





PN	PRICE	PAGE #	PN	PRICE	PAGE #	PN	PRICE	PAGE #	PN	PRICE	PAGE #
0004	\$47.70	176	0056	\$4.14	190	0114	\$7.80	190	0188	\$39.40	178, 180, 215
0005	\$18.10	177	0057	\$1.87	190	0119	\$7.00	189	0189	\$39.40	178, 180, 215
0006	\$17.60	174	0058	\$6.30	189	0120	\$8.50	77	0197	\$16.60	179, 180, 215
0007	\$20.20	177	0059	\$5.20	189	0121	\$8.50	77	0198	\$12.80	179, 180, 215
0008	\$17.60	177	0060	\$3.21	189	0122	\$3.42	77	0199	\$24.90	179
0010	\$24.90	176	0061	\$3.11	189	0123	\$3.42	77	0200	\$8.30	179
0011	\$13.70	176	0062	\$5.10	183	0124	\$3.42	77, 215	0801	\$2.39	188
0012	\$21.80	175	0063	\$6.30	182	0125	\$2.80	186	0806	\$2.59	187
0013	\$10.90	176	0064	\$1.76	180, 183, 215	0127	\$2.28	187	0807	\$3.63	187
0014	\$13.50	175	0065	\$1.76	183, 215	0131	\$2.59	185	0808	\$3.11	187
0015	\$8.30	176	0066	\$7.30	181	0133	\$3.11	185	0809	\$3.94	187
0016	\$10.10	176	0067	\$2.39	178	0135	\$6.10	187	0811	\$4.14	185
0017	\$8.80	176	0068	\$2.39	178	0136	\$6.10	187	0812	\$7.90	185
0018	\$7.30	176	0069	\$14.50	181	0137	\$6.30	187	0813	\$3.11	188
0019	\$5.20	190	0070	\$2.07	179, 215	0138	\$18.70	187	0815	\$2.59	188
0020	\$4.66	190	0071	\$1.56	179, 215	0139	\$17.60	187	0823	\$9.40	187
0021	\$4.66	190, 215	0072	\$4.14	179, 180, 215	0140	\$2.07	186	0824	\$5.70	187
0022	\$4.72	191	0073	\$4.66	178	0141	\$2.07	186	0826	\$4.97	187
0023	\$4.72	191, 215	0074	\$5.10	178, 215	0142	\$3.94	186	0832	\$2.90	187
0024	\$3.11	191	0075	\$5.80	96, 178, 215	0143	\$2.70	185	0834	\$3.32	186
0025	\$3.11	191	0076	\$14.50	179	0144	\$3.73	185	0835	\$0.83	184
0026	\$5.70	191	0077	\$5.50	179, 180, 215	0145	\$6.10	185	0836	\$2.18	185
0027	\$4.72	191	0078	\$8.50	179, 180, 215	0146	\$4.97	186	0837	\$4.87	186
0030	\$6.10	190	0079	\$10.40	179	0147	\$8.30	186	0838	\$5.20	185
0031	\$4.14	190	0080	\$12.00	182	0148	\$11.40	186	0839	\$3.32	185
0032	\$3.11	190	0081	\$13.00	182	0149	\$7.80	185	0840	\$4.04	185
0033	\$9.40	190	0082	\$10.80	181, 215	0150	\$6.80	185	0841	\$7.30	185
0034	\$12.50	190	0083	\$12.50	181, 215	0151	\$8.30	185	0842	\$8.30	185
0035	\$7.10	190	0084	\$6.80	87, 88, 96, 178	0152	\$1.25	184	0843	\$3.01	187
0036	\$6.30	190	0085	\$3.21	87, 88, 96, 178	0153	\$1.76	184	0844	\$2.80	187
0037	\$16.60	190	0086	\$12.10	182	0154	\$2.07	184	0845	\$3.63	187
0038	\$9.40	190	0087	\$12.50	182	0155	\$2.07	185	0846	\$4.14	187
0040	\$6.50	190	0089	\$3.32	179	0157	\$3.63	185	0847	\$5.70	187
0041	\$6.50	190	0090	\$3.42	183	0158	\$8.30	185	0850	\$7.50	191, 305
0042	\$6.80	189	0091	\$3.11	183	0159	\$1.35	186	0851	\$11.60	191
0044	\$5.60	189	0092	\$1.41	185	0160	\$1.97	186	0852	\$13.70	191
0045	\$13.10	190	0093	\$1.56	186	0165	\$0.94	66	0853	\$9.70	191
0047	\$5.10	189	0094	\$1.41	184	0166	\$0.94	66	0854	\$9.70	191
0048	\$2.65	189	0096	\$8.30	186	0167	\$7.10	182	0855	\$7.50	191
0049	\$3.94	189	0097	\$1.04	186	0168	\$5.70	170, 180	0856	\$7.50	191
0050	\$3.11	189	0098	\$1.56	186	0171	\$6.20	180, 250	0858	\$19.10	191, 305
0051	\$2.90	189	0099	\$1.14	186	0181	\$12.50	182	0864	\$5.70	189
0052	\$2.80	189	0100	\$3.94	188	0182	\$7.30	182	0866	\$21.80	182
0053	\$2.07	189	0102	\$10.80	188	0183	\$5.60	182	0867	\$4.66	183
0054	\$6.30	184, 189	0105	\$7.80	181	0184	\$7.30	182	0868	\$21.80	182
0055	\$3.42	190	0112	\$2.07	186	0185	\$7.80	182	0869	\$21.80	182
			0113	\$2.07	186	0187	\$37.40	178, 180, 215	0870	\$27.00	184

PN	PRICE	PAGE #
0872	\$27.00	184
0873	\$27.00	184
0880	\$3.73	187
0881	\$4.25	187
0882	\$9.40	187
0884	\$1.04	188
0886	\$2.28	188
0889	\$1.04	188
0890	\$1.56	188
0891	\$2.14	184
0892	\$3.01	184
0897	\$3.63	185
0899	\$6.30	183
0900	\$7.90	185
0904	\$10.80	188
0907	\$4.97	186
0911	\$0.52	144
0914	\$3.32	187
0917	\$12.50	186
0918	\$8.30	186
0920	\$2.18	188
0921	\$3.11	188
0922	\$4.25	188
0923	\$6.30	188
0936	\$7.80	189
0942	\$8.60	183
0943	\$2.07	191
0944	\$2.07	191
0945	\$6.60	191
0946	\$8.30	191
0947	\$2.07	191
0948	\$2.59	191
0949	\$22.80	81
0951	\$4.87	180, 181, 215
0952	\$7.30	180, 181, 215
0954	\$9.40	77, 203
0956	\$82.80	77
0957	\$82.80	77
0958	\$93.20	77
0959	\$1.45	192
0960	\$2.39	192
0961	\$2.18	192
0962	\$2.39	192
0964	\$1.66	192
0965	\$1.87	192
0966	\$2.18	192
0967	\$2.39	192

PN	PRICE	PAGE #
0968	\$3.63	192
0970	\$1.87	192
0971	\$1.87	192
0972	\$2.70	192
0973	\$2.70	192
0974	\$2.70	192
0975	\$3.21	192
0976	\$3.21	192
0977	\$3.21	192
0978	\$2.18	192
0979	\$2.07	192
0980	\$2.18	192
0981	\$2.80	192
0982	\$2.59	192
0983	\$1.87	192
0991	\$5.20	178
0992	\$2.49	180, 205, 206
0993	\$24.90	180
0994	\$4.25	192
120N	\$4.77	77
120T	\$13.30	77
121N	\$4.77	77
121T	\$13.30	77
222	\$0.80	196
231B	\$54.70	196
231C	\$15.50	196
231R	\$54.70	196
231	\$0.69	196
232B	\$54.70	196
232C	\$15.50	196
232R	\$54.70	196
232	\$0.69	196
233B	\$54.70	196
233C	\$15.50	196
233R	\$54.70	196
233	\$0.69	196
235B	\$54.70	196, 242
235C	\$15.50	196, 242
235R	\$54.70	196, 242
235	\$0.73	196, 242
236B	\$54.70	196
236C	\$15.50	196
236R	\$54.70	196
236	\$0.69	196
242B	\$79.70	198
242R	\$79.70	198
242	\$0.92	198

PN	PRICE	PAGE #
243B	\$148.10	198
243R	\$148.10	198
243	\$1.64	198
246B	\$148.10	198
246R	\$148.10	198
246	\$1.64	198
252B	\$107.10	197
252R	\$107.10	197
252	\$1.37	197
253B	\$239.10	197
253R	\$239.10	197
253	\$2.47	197
255B	\$239.10	198
255R	\$148.10	198
255	\$1.64	198
256B	\$148.10	198
256R	\$148.10	198
256	\$1.64	198
322B	\$103.50	82, 195
322R	\$103.50	82, 195
322T	\$25.90	82, 195
322	\$1.22	82, 195
322CT	\$30.80	82, 195
332	\$1.72	196
343B	\$186.80	198
343R	\$186.80	198
343	\$2.17	198
348B	\$186.80	198
348R	\$186.80	198
348	\$2.17	198
349B	\$186.80	198
349R	\$186.80	198
349	\$2.17	198
350B	\$186.80	198
350R	\$186.80	198
350	\$2.17	198
360	\$318.80	75
361	\$318.80	75
362	\$318.80	75
364	\$318.80	75
402B	\$98.00	82, 195
402R	\$98.00	82, 195
402T	\$20.50	82, 195
402	\$1.29	82, 195
402CT	\$34.20	82, 195
421B	\$250.50	197

PN	PRICE	PAGE #
421R	\$250.50	197
421	\$2.85	197
422B	\$132.10	197
422R	\$132.10	197
422	\$1.49	197
423B	\$250.50	197
423R	\$250.50	197
423	\$2.85	197
425B	\$250.50	197
425R	\$250.50	197
425	\$2.85	197
426B	\$268.70	197
426R	\$268.70	197
426	\$3.42	197
427B	\$250.50	197
427R	\$250.50	197
427	\$2.86	197
428B	\$268.70	197
428R	\$268.70	197
428	\$3.42	197
431B	\$120.10	82, 194
431R	\$120.10	82, 194
431T	\$25.10	82, 194
431	\$1.56	82, 194
431CT	\$37.60	82, 194
432B	\$120.10	82, 194
432R	\$120.10	82, 194
432T	\$25.10	82, 194
432	\$1.56	82, 194
432CT	\$37.60	82, 194
433B	\$120.10	82, 194
433R	\$120.10	82, 194
433T	\$25.10	82, 194
433	\$1.56	82, 194
433CT	\$37.60	82, 194
435B	\$120.10	82, 194, 242
435R	\$120.10	82, 194, 242
435T	\$25.10	82, 194, 242
435	\$1.56	82, 194, 242
435CT	\$37.60	82, 194, 242
436B	\$120.10	82, 194
436R	\$120.10	82, 194
436T	\$25.10	82, 194
436	\$1.56	82, 194
436CT	\$37.60	82, 194
441T	\$26.90	194



PN	PRICE	PAGE #	PN	PRICE	PAGE #	PN	PRICE	PAGE #	PN	PRICE	PAGE #
445T	\$29.50	194	720	\$7.10	199	1403	\$0.73	200	1702B	\$136.70	200,250
446T	\$28.20	194	721	\$8.60	199	1404B	\$61.50	200	1702R	\$136.70	200,250
451	\$318.80	75	722	\$6.40	199	1404R	\$61.50	200	1702	\$1.85	200,250
453	\$318.80	75	731	\$2.85	198	1404	\$0.73	200	1703B	\$136.70	200,250
455	\$318.80	75	732	\$4.33	198	1405B	\$61.50	200	1703R	\$136.70	200,250
459	\$318.80	75	733	\$2.62	198	1405R	\$61.50	200	1703	\$1.85	200,250
510B	\$296.10	197	734	\$2.62	198	1405	\$0.73	200	1706B	\$136.70	200,250
510R	\$296.10	197	737	\$2.62	198,243	1406B	\$61.50	200	1706R	\$136.70	200,250
510	\$3.53	197	739	\$4.33	198	1406R	\$61.50	200	1706	\$1.85	200,250
511B	\$296.10	197,244	740	\$7.50	199	1406	\$0.73	200	1708B	\$136.70	200,250
511R	\$296.10	197,244	742	\$2.62	198	1407B	\$61.50	200	1708R	\$136.70	200,250
511	\$3.53	197,244	743	\$2.85	198	1407R	\$61.50	200	1708	\$1.85	200,250
512B	\$296.10	197	744	\$2.62	198	1407	\$0.73	200	1823	\$10.40	310
512R	\$296.10	197	752	\$2.51	199	1408B	\$61.50	200	2003	\$414.00	297
512	\$3.53	197	1020	\$16.10	98	1408R	\$61.50	200	2005	\$89.10	300
513B	\$296.10	197	1201B	\$22.80	200	1408	\$0.73	200	2006	\$201.90	297
513R	\$296.10	197	1201R	\$22.80	200	1409B	\$61.50	200	2008	\$101.50	297
513	\$3.53	197	1201	\$0.33	200	1409R	\$61.50	200	2011	\$167.70	300
582	\$318.80	75	1202B	\$22.80	200	1409	\$0.73	200	2012	\$16.60	296
583	\$318.80	75	1202R	\$22.80	200	1417B	\$61.50	200	2013	\$49.70	301
630	\$29.40	196,332	1202	\$0.33	200	1417R	\$61.50	200	2016	\$21.80	299
631	\$29.40	196,332	1203B	\$22.80	200	1417	\$0.73	200	2019	\$2,322.60	306
635	\$34.20	196,332	1203R	\$22.80	200	1418B	\$61.50	200	2028	\$85.30	303,306
636	\$34.20	196,332	1203	\$0.33	200	1418R	\$61.50	200	2030	\$447.80	291,292
640	\$28.50	196,332	1204B	\$22.80	200	1418	\$0.73	200	2040	\$1.25	92
645R	\$98.40	196	1204R	\$22.80	200	1419B	\$61.50	200	2050	\$72.50	291
645	\$1.37	196	1204	\$0.33	200	1419R	\$61.50	200	2051	\$42.70	153,291
646R	\$98.40	196	1205B	\$22.80	200	1419	\$0.73	200	2052	\$389.20	291
646	\$1.37	196	1205R	\$22.80	200	1550	\$525.00	222	2054	\$9.70	304,306
653	\$7.30	142,197,244	1205	\$0.33	200	1555	\$569.30	222	2060	\$4.77	92
654	\$7.30	142,197	1206B	\$22.80	200	1560	\$77.70	222	2073	\$140.80	291
701	\$2.58	199	1206R	\$22.80	200	1561	\$217.40	222	2075	\$448.20	291
703	\$2.74	199	1206	\$0.33	200	1602B	\$136.70	200	2076	\$85.30	153,291
704	\$3.08	199,304	1207B	\$22.80	200	1602R	\$136.70	200	2080	\$16.60	177
705	\$3.19	199,304	1207R	\$22.80	200	1602	\$1.85	200	2081	\$10.40	177
706	\$3.65	199	1207	\$0.33	200	1603B	\$136.70	200	2096	\$8.50	304,306
707	\$4.56	199,304	1208B	\$22.80	200	1603R	\$136.70	200	2098	\$84.90	314
708	\$6.20	199	1208R	\$22.80	200	1603	\$1.85	200	2099	\$84.90	314
709	\$7.10	199,304	1208	\$0.33	200	1605B	\$136.70	200	2100	\$42.30	316
713	\$2.58	199	1401B	\$61.50	200	1605R	\$136.70	200	2101	\$48.90	317
714	\$2.74	199	1401R	\$61.50	200	1605	\$1.85	200	2102	\$46.60	317
715	\$3.08	199	1401	\$0.73	200	1608B	\$136.70	200	2103	\$53.90	317
716	\$3.19	199	1402B	\$61.50	200	1608R	\$136.70	200	2104	\$6.30	317
717	\$3.65	199	1402R	\$61.50	200	1608	\$1.85	200	2105	\$43.50	321
718	\$4.56	199	1402	\$0.73	200	1701B	\$136.70	200,250	2106	\$53.90	321
719	\$6.20	199	1403B	\$61.50	200	1701R	\$136.70	200,250	2107	\$53.90	321
			1403R	\$61.50	200	1701	\$1.85	200,250	2108	\$18.70	314

PN	PRICE	PAGE #	PN	PRICE	PAGE #	PN	PRICE	PAGE #	PN	PRICE	PAGE #
2109	\$15.00	314	2211	\$3.01	96, 217	2262	\$9.10	217	2434	\$51.80	221
2110	\$2.39	92, 158	2212	\$3.01	96, 217	2263	\$8.40	96, 217	2435	\$51.80	221
2111	\$11.30	318	2214	\$3.01	217	2264	\$8.40	96, 217	2436	\$51.80	221
2117	\$27.00	313	2215	\$3.01	152, 171, 218	2266	\$9.90	96, 217	2437	\$93.20	221
2118	\$173.90	315	2217	\$5.20	217	2267	\$3.01	96, 215, 217	2454	\$141.30	220
2120	\$279.50	319	2218	\$3.01	170, 217	2268	\$13.50	79, 218	2460	\$42.00	220
2125	\$5.20	319	2220	\$5.10	217	2269	\$3.21	218	2478	\$51.80	278
2128	\$58.50	306	2221	\$4.04	109, 218	2270	\$3.01	218	2481	\$191.50	299
2135	\$60.20	301	2223	\$3.01	218	2271	\$7.30	182, 217	2485	\$10.90	295
2137	\$36.30	306	2224	\$3.83	218	2280	\$3.01	217	2487	\$331.20	293
2139	\$274.80	307	2225	\$3.01	170, 217, 232	2281	\$16.60	79, 217	2489	\$399.60	300
2148	\$6.50	304	2228	\$3.01	218	2282	\$12.00	79, 217	2493	\$131.00	220
2149	\$24.90	304	2229	\$3.01	217, 235, 251	2284	\$21.80	79, 218	2496	\$39.40	220
2150	\$41.40	165	2230	\$3.01	96, 217, 232, 251	2285	\$11.40	217	2501	\$481.30	299
2151	\$35.80	165	2231	\$3.01	217	2286	\$5.50	79	2502	\$91.10	301
2152	\$35.80	165	2232	\$3.01	217	2287	\$1.66	79	2504	\$88.00	220
2155	\$27.00	305	2233	\$3.01	170, 217	2288	\$2.70	79	2509	\$248.40	293
2156	\$161.50	305	2234	\$3.01	172, 217	2289	\$3.01	170, 218	2513	\$27.00	301
2157	\$22.80	318	2235	\$3.01	218	2293	\$3.01	96, 217	2516	\$53.40	220
2159	\$41.40	165	2236	\$3.01	218	2295	\$9.50	79	2524	\$101.50	221
2160	\$51.80	165	2237	\$3.01	218	2297	\$3.11	65, 218	2530	\$32.10	221
2166	\$51.80	300	2238	\$3.01	170, 218	2298	\$16.10	217	2540	\$18.70	294
2170	\$38.40	296	2239	\$3.01	150, 153, 218	2299	\$6.50	79	2545	\$66.30	294
2174	\$82.80	319	2240	\$4.04	109, 218	2302	\$4.66	291	2550	\$115.50	301
2186	\$72.50	310	2241	\$3.01	218	2303	\$12.00	291	2566	\$60.10	293
2189	\$51.80	311	2242	\$6.30	96, 217, 241	2305	\$8.60	96, 217, 241	2567	\$42.00	304, 306
2191	\$40.40	322	2243	\$8.50	116, 218	2307	\$17.10	330	2572	\$91.10	301
2192	\$138.60	311	2244	\$8.50	217	2308	\$2.07	291	2604	\$19.20	307
2193	\$181.30	311	2245	\$14.50	218	2309	\$8.50	116, 217	2606	\$55.90	293
2194	\$93.20	312	2246	\$6.50	218	2310	\$6.40	249	2619	\$18.70	294
2195	\$98.40	312	2247	\$5.10	217	2312	\$6.40	249	2633	\$43.50	203, 294
2201	\$3.01	96, 170, 215, 217	2252	\$8.40	217	2320	\$17.60	313	2640	\$29.90	220
2202	\$3.01	96, 217	2253	\$8.50	116, 215, 218	2326	\$1,345.50	153, 290	2647	\$64.20	295
2203	\$3.01	96, 170, 172, 215, 217, 233, 251	2254	\$8.50	79, 116, 215, 218	2395	\$1,014.30	153, 290	2649	\$63.80	294
2204	\$9.90	217	2255	\$3.52	215, 217	2396	\$150.10	299	2676	\$34.20	303
2205	\$3.01	144, 170, 217	2256	\$8.50	116, 215, 217	2400	\$28.50	294	2677	\$9.50	304
2206	\$3.01	116, 218	2257	\$8.50	79, 116, 218	2414	\$4.14	307	2678	\$9.70	304
2207	\$3.01	116, 218, 258	2259	\$8.40	96, 217	2415	\$124.20	300	2691	\$18.00	279
2208	\$4.14	116, 217	2260	\$8.40	96, 217	2417	\$55.90	293	2692	\$89.40	297
2209	\$5.70	116, 217	2261	\$5.90	217	2419	\$55.90	293	2694	\$72.50	293
2210	\$3.01	141, 144, 170, 218, 246, 258				2420	\$55.90	293	2696	\$59.00	294
						2421	\$116.00	298	2697	\$10.70	294
						2422	\$59.00	294	2699	\$55.90	293
						2423	\$29.00	294	2702	\$97.30	293
						2424	\$15.00	298	2703	\$97.30	293
						2433	\$32.50	221	2711	\$239.10	294
									2723	\$42.70	292



PN	PRICE	PAGE #
2733	\$207.00	270
2734	\$207.00	270
2761	\$269.10	279
2794	\$24.90	284
2799	\$8.30	285
2801	\$51.80	278
2802	\$51.80	278
2803	\$51.80	278
2804	\$51.80	278
2806	\$51.80	278
2807	\$51.80	278
2808	\$51.80	278
2809	\$51.80	278
2810	\$13.80	283
2812	\$58.00	310
2813	\$82.80	295
2814	\$30.10	78
2815	\$82.80	313
2816	\$186.30	313, 315
2817	\$58.70	319
2818	\$68.40	315, 320
2821	\$130.50	298
2826	\$19.70	152, 300
2827	\$138.60	166
2828	\$138.60	166
2829	\$138.60	166
2830	\$157.40	166
2831	\$157.40	166
2832	\$157.40	166
2833	\$74.60	302
2834	\$74.60	302
2835	\$80.80	302
2837	\$58.70	303
2838	\$77.70	303
2839	\$55.90	303
2841	\$93.20	303
2842	\$93.20	303
2843	\$93.20	303
2844	\$93.20	303
2845	\$93.20	303
2846	\$78.20	302
2848	\$167.70	300
2856	\$49.70	152, 300
2857	\$67.30	301
2858	\$88.00	302
2862	\$26.40	210, 292
2868	\$59.00	296

PN	PRICE	PAGE #
2869	\$68.40	296
2870	\$70.90	296
2874	\$77.70	306
2875	\$77.70	306
2876	\$77.70	306
2877	\$77.70	306
2878	\$77.70	306
2879	\$25.90	305
2880	\$25.90	305
2881	\$25.90	305
2884	\$99.40	306
2885	\$45.60	261
2886	\$28.00	264
2888	\$16.10	261
2889	\$40.40	322
2890	\$23.30	322
2891	\$31.10	323
2892	\$23.50	323
2895	\$9.90	320
2896	\$38.30	320
2898	\$16.10	323
2899	\$16.10	323
2900	\$319.90	292
2901	\$362.50	292
2902	\$405.10	292
2904	\$447.80	292
2905	\$27.00	313
2906	\$745.20	315, 320
2907	\$45.60	322
2909	\$191.90	319
2910	\$266.60	319
2911	\$266.60	319
2912	\$101.50	319
2920	\$372.60	295
2921	\$54.40	295
2923	\$31.70	299
2925	\$18.70	297
2928	\$23.90	285
2929	\$38.30	285
2930	\$23.90	285
2931	\$51.80	285
2932	\$117.30	298
2934	\$21.40	156
2935	\$258.80	298
2939	\$144.90	166, 330
2940	\$248.40	299
2941	\$35.20	302

PN	PRICE	PAGE #
2942	\$39.40	302
2943	\$80.80	283
2945	\$82.80	295
2946	\$10.80	129, 280
2947	\$17.10	296
2948	\$10.80	129, 280
2950	\$30.10	299
2951	\$26.40	299
2952	\$108.70	282
2953	\$108.70	282
2954	\$51.80	278
2955	\$51.80	278
2956	\$51.80	278
2957	\$51.80	278
2958	\$51.80	278
2960	\$25.90	268
2961	\$12.50	268
2962	\$108.70	282
2963	\$108.70	282
2964	\$108.70	282
2965	\$41.40	266
2966	\$35.20	268
2967	\$6.80	282
2968	\$6.80	282
2969	\$403.70	292
2970	\$465.80	292
2971	\$610.70	292
2972	\$49.70	129, 280
2973	\$49.70	129, 280
2980	\$49.70	278
3021	\$19.60	92, 158
3024	\$20.60	92
3030	\$17.70	92
3033	\$2.59	91, 204
3034	\$91.10	88
3036	\$2.18	89, 96
3040	\$11.70	92
3042	\$9.90	92
3045	\$10.20	89
3049	\$6.50	92
3054	\$5.20	90, 241
3055	\$25.40	90, 241
3056	\$216.40	90, 241
3059	\$207.00	90, 96
3060	\$4.97	90, 96
3061	\$24.90	90, 96
3065	\$25.60	85, 87, 96

PN	PRICE	PAGE #
3066	\$8.50	87, 257
3070	\$9.90	92, 93, 241
3071	\$26.80	89, 96
3072	\$9.20	89
3074	\$10.70	89, 96
3076	\$8.50	88
3080	\$7.50	92
3085	\$9.60	87, 96, 257
3086	\$11.40	89, 96
3088	\$29.90	89, 96
3089	\$28.80	85, 96
3090	\$7.30	88, 93, 96, 233, 241, 246
3092	\$9.60	89, 96
3093	\$9.60	88, 96
3096	\$3.11	91, 204
3097	\$2.07	91, 204
3098	\$18.70	87
3099	\$89.10	87
3112	\$414.00	91
3180	\$6.20	90, 96
3181	\$28.50	90
3182	\$264.00	90
3211	\$362.30	91
3320	\$104.60	89, 96
3325	\$3.20	89
3349	\$163.10	89
3350	\$113.90	89
3355	\$206.90	89
3357	\$206.90	89
3359	\$206.90	89
3361	\$206.90	89
3369	\$163.50	89
3370	\$113.90	89
3374	\$172.40	89
3375	\$172.40	89
3376	\$172.40	89
3377	\$172.40	89
3378	\$172.40	89
3379	\$172.40	89
3398	\$172.40	89
3399	\$172.40	89
3404	\$172.40	89
3405	\$172.40	89
3406	\$206.90	89
3429	\$68.00	86

PN	PRICE	PAGE #	PN	PRICE	PAGE #	PN	PRICE	PAGE #	PN	PRICE	PAGE #
3430C	\$97.80	86	3638	\$91.10	85	4382	\$84.50	80, 158, 254	4568	\$31.70	118, 257
3430	\$75.00	86	3640	\$74.00	85	4400	\$564.10	48	4576	\$41.40	118
3436	\$83.90	86	3641	\$79.10	85	4401	\$631.40	48	4578	\$41.40	118
3437	\$83.90	86	3642	\$79.10	85	4415	\$874.60	46	4579	\$45.60	118
3438	\$83.90	86	3643	\$79.10	85	4416	\$1,045.40	46	4580	\$31.10	120
3439	\$83.90	86	3644	\$79.10	85	4421	\$95.10	80, 158, 254	4581	\$31.10	120
3440	\$83.90	86	3645	\$79.10	85	4425	\$132.00	80, 158, 254	4582	\$17.10	120
3441	\$83.90	86	4049	\$267.10	11	4426	\$20.70	80, 158, 254	4583	\$17.10	120
3442	\$83.90	86	4060	\$222.60	79	4427	\$221.70	80, 158, 254	4585	\$17.10	120
3443	\$83.90	86	4076	\$2.39	79	4428	\$129.40	80, 158	4586	\$17.10	120
3444	\$83.90	86	4080	\$10.80	79	4430	\$3.38	81, 254	4592	\$41.40	119
3445	\$83.90	86	4084	\$60.10	79	4432	\$6.10	80, 158, 254	4706	\$207.00	78, 205
3450	\$75.00	87	4086	\$42.70	79	4433	\$3.81	81, 254	4710	\$3.42	77
3457	\$87.90	87	4087	\$38.70	79	4434	\$2.32	81, 254	4711	\$4.83	77
3459	\$87.90	87	4088	\$32.00	79	4435	\$69.90	80, 158	4726	\$6.80	78
3461	\$87.90	87	4089	\$39.60	79	4437	\$2.86	253	4728	\$16.60	78
3463	\$87.90	87	4090	\$42.70	79	4438	\$134.60	80, 158	4731	\$8.50	78
3464	\$87.90	87	4093	\$25.00	158	4444	\$144.90	123	4732	\$11.70	78
3470	\$81.80	88	4096	\$42.70	79	4445	\$144.90	47, 49, 123	4733	\$8.60	78
3474	\$92.20	88	4098	\$37.50	79	4446	\$2,882.10	52, 254	4734	\$13.20	78
3475	\$92.20	88	4102	\$455.40	44	4467	\$200.00	3, 5, 7, 15, 23, 24, 26, 32, 34, 36	4735	\$8.80	78
3476	\$92.20	88	4106	\$495.80	44	4468	\$200.00	3, 5, 7, 23, 24	4736	\$9.30	78
3477	\$92.20	88	4111	\$52.80	79	4469	\$3,177.50	32	4738	\$3.42	77
3478	\$92.20	88	4120	\$543.40	40	4470	\$967.80	19, 21, 34	4762	\$196.70	25, 27, 29, 31, 128
3479	\$92.20	88	4121	\$590.00	40	4477	\$2,023.50	24	4763	\$202.90	25, 27, 29, 31, 128
3481	\$92.20	88	4128	\$1,588.80	30	4478	\$2,023.50	24	4764	\$196.70	25, 29, 128
3482	\$92.20	88	4129	\$1,671.60	30	4502	\$507.20	42	4765	\$202.90	25, 29, 128
3483	\$92.20	88	4152	\$33.40	258	4506	\$822.90	42	4788	\$191.50	63
3484	\$92.20	88	4198	\$173.90	53	4520	\$693.50	38	4790	\$23.50	65
3491	\$8.50	85, 87, 96	4199	\$650.00	104	4521L	\$3,006.70	32	4812	\$155.30	126
3600	\$75.00	84	4222	\$319.90	128	4521	\$724.50	19, 21, 38	4813	\$255.40	126
3601	\$83.90	84	4272	\$62.10	127	4526	\$1,790.60	28	4820	\$331.20	126
3602	\$83.90	84	4273	\$72.50	127	4528	\$1,857.90	28	4824	\$500.00	3, 126
3603	\$83.90	84	4274	\$72.50	127	4529	\$1,790.60	28	4825	\$331.20	126
3604	\$83.90	84	4276	\$72.50	127	4530	\$1,857.90	28	4855	\$820.00	126
3605	\$83.90	84	4282	\$7.30	182	4542	\$4,050.00	14	4868	\$45.60	118
3606	\$83.90	84	4289	\$67.30	19, 21, 35, 37, 39, 41, 43, 45, 124	4561	\$41.40	118	4869	\$42.30	118, 257
3607	\$83.90	84	4291	\$67.30	35, 37, 39, 41, 43, 45, 124	4562	\$58.00	120, 332	4905	\$900.00	128
3608	\$83.90	84	4370	\$802.20	36	4563	\$58.00	120, 332	4906	\$900.00	128
3609	\$83.90	84	4376	\$1,857.90	26	4564	\$45.60	118	4907	\$900.00	128
3610	\$83.90	84	4378	\$1,242.00	50, 228	4566	\$31.10	118	4908	\$900.00	128
3615	\$68.00	84	4380	\$84.50	80, 158, 254				4920	\$331.20	126
3631	\$8.30	85	4381	\$2.76	81, 254				4924	\$500.00	3, 126
3633	\$0.21	96							4955	\$820.00	126
3635	\$19.70	85							5060	\$67.70	105, 243
3636	\$8.30	85									
3637	\$9.60	85, 96									



PN	PRICE	PAGE #
5061	\$74.10	105, 243
5062	\$67.70	105, 243
5063	\$21.40	105
5064	\$17.10	105
5065	\$21.40	105
5066	\$15.10	105
5067	\$14.00	105
5068	\$12.50	105
5070	\$50.80	100
5080	\$47.70	100
5082	\$13.50	100, 101, 116
5083	\$16.60	100, 101
5084	\$2.70	100, 116
5088	\$58.00	100
5090	\$43.50	100
5092	\$11.40	100, 101, 116
5093	\$5.10	100, 116
5101	\$8.50	111
5102	\$7.80	111
5104	\$144.80	99
5107	\$13.50	98, 116
5108	\$20.70	98, 116
5111	\$21.40	105
5112	\$49.00	98
5124	\$135.50	99
5131	\$46.00	98
5145	\$10.20	101, 116
5148	\$40.00	101
5150	\$40.00	101
5161	\$113.80	101
5165	\$13.50	98, 116
5166	\$12.50	98, 116
5168	\$23.90	100, 116
5169	\$21.80	100, 116
5171	\$6.30	101, 116
5172	\$7.60	101, 116
5184	\$31.10	101
5185	\$30.10	101
5190	\$277.20	100
5214	\$132.40	99
5217	\$11.40	98, 116
5218	\$20.70	98, 116
5220	\$21.40	105
5222	\$48.70	98
5312	\$5.30	111, 242

PN	PRICE	PAGE #
5313	\$52.80	111, 242
5314	\$52.80	111, 242
5363	\$300.20	102
5364	\$367.50	25, 27, 29, 31, 47, 49, 102
5365	\$196.70	102
5366	\$300.20	102
5367	\$367.50	102
5368	\$196.70	102
5369	\$289.80	102
5370	\$357.10	102
5371	\$186.30	102
5372	\$75.60	103
5373	\$96.30	25, 27, 29, 31, 47, 49, 103
5374	\$527.90	103
5375	\$527.90	103
5376	\$569.30	3, 7, 103
5377	\$569.30	3, 7, 103
5378	\$248.40	23, 103
5380	\$300.20	3, 7, 23, 102
5381	\$367.50	102
5382	\$196.70	102
5431	\$506.20	104
5432	\$590.00	7, 23, 25, 27, 29, 31, 47, 49, 104
5433	\$548.60	104
5512	\$52.30	110, 242
5582	\$31.10	113, 307
5585	\$403.70	113
5586	\$403.70	113, 307
5620	\$12.50	108, 207
5621	\$12.50	108, 207
5622	\$20.70	108, 207
5623	\$20.70	108
5645	\$9.50	101, 116
5650	\$40.00	101
5655	\$62.10	101
5660	\$31.60	101
5664	\$55.90	101
5667	\$95.20	101
5670	\$5.20	101, 116
5672	\$7.30	101, 116
5680	\$25.60	105
5681	\$21.40	105

PN	PRICE	PAGE #
5720	\$12.40	107
5740	\$23.90	107
5742	\$23.90	107, 116
5750	\$3.21	107, 116, 243
5751	\$5.40	107
5752	\$10.70	107
5754	\$3.21	107, 116, 215, 243
5755	\$6.40	108, 116
5757	\$14.50	107
5758	\$14.50	107
5765	\$62.10	106
5767	\$47.70	106
5781	\$160.00	224
5782	\$160.00	224
5810	\$31.10	109
5811	\$1.76	109
5812	\$3.63	109
5813	\$3.63	109
5814	\$7.70	109
5817	\$35.20	110
5818	\$35.20	110
5820	\$0.75	110
5821	\$2.39	109
5822	\$35.90	111, 257
5823	\$0.96	111, 257
5825	\$68.40	109, 124
5827	\$68.40	109, 124
5831	\$6.70	109
5832	\$48.00	110
5835	\$16.10	112, 305
5836	\$176.00	112, 305
5837	\$53.40	112, 305
5840	\$30.00	5, 9, 108
5845	\$580.00	108
5851	\$222.60	112
5853	\$243.30	112
5860	\$31.10	109
5864	\$3.63	109
5865	\$3.63	109
5866	\$6.70	109
5872	\$35.20	109
5873	\$35.20	109
5877	\$17.10	109
5880	\$25.90	120
5881	\$15.10	120

PN	PRICE	PAGE #
5882	\$17.60	120
5883	\$19.70	120
5884	\$21.80	120
5885	\$29.00	120
5887	\$48.00	110
5888	\$7.80	109
5889	\$0.75	110
5900	\$6.80	121
5903	\$6.80	121
5905	\$6.80	121
5910	\$6.80	121
5912	\$9.70	332
5914	\$45.60	118
5915	\$6.80	121
5918	\$6.80	121
5920	\$6.80	121
5923	\$6.80	121
5925	\$6.80	121
5929	\$6.50	121
5930	\$6.50	121
5931	\$6.50	121
5932	\$25.90	121
5933	\$31.10	121
5934	\$66.30	121
5940	\$41.40	119
5941	\$9.40	121, 134
5942	\$9.40	121, 134
5943	\$9.40	121, 134
5945	\$18.70	119
5947	\$11.30	122, 134, 161, 214
5948	\$11.30	122, 134, 161, 214, 258
5950	\$18.70	119
5960	\$41.40	119
5961	\$9.40	121, 134
5962	\$9.40	121, 134
5963	\$9.40	121, 134
5965	\$18.70	119
5966	\$58.00	120, 332
5967	\$58.00	120, 332
5968	\$58.00	120, 332
5969	\$58.00	120, 332
5970	\$18.70	119
5971	\$1.87	134
5972	\$1.87	134
5976	\$58.00	120, 332

PN	PRICE	PAGE #
5983	\$12.20	122, 134, 161, 214, 257
5987	\$41.40	118
5988	\$31.10	118
5989	\$12.00	122, 134, 161, 214
5997	\$1.14	134
5998	\$1.14	134
6003	\$10.70	144
6004	\$10.70	144
6011	\$2.20	258
6012	\$1.25	258
6013	\$2.28	258
6014	\$0.27	258
6016	\$11.80	258
6018	\$6.10	258
6022	\$2.07	144
6033	\$1.35	144
6034	\$1.14	144
6036	\$0.63	144
6037	\$1.56	170, 172
6038	\$1.14	144
6039	\$1.14	144
6042	\$1.66	141, 144, 246
6046	\$9.60	140, 144, 245
6047	\$5.70	144
6048	\$3.83	144
6049	\$3.11	144
6052	\$5.70	144
6053	\$5.70	144
6054	\$5.70	144
6056	\$6.50	144
6057	\$5.70	144
6070	\$25.40	143, 144, 244, 245
6093	\$24.90	140, 144
6094	\$25.40	140, 144, 258
6095	\$0.42	143, 144, 244
6096	\$8.30	141, 144, 245
6097	\$15.10	141, 246
6098	\$2.49	141, 142, 144, 245, 246, 248
6102	\$7.30	143, 244

PN	PRICE	PAGE #
6103	\$7.30	143, 244
6104	\$7.30	143, 244
6106	\$7.60	143, 244
6107	\$9.40	143, 244
6110	\$23.30	143, 244
6111	\$25.40	143, 244
6112	\$25.40	143, 244
6113	\$4.77	143, 244
6132	\$25.40	140, 144, 258
6161	\$8.10	140
6162	\$9.30	140
6163	\$12.20	140, 257
6165	\$6.90	140, 258
6166	\$46.50	139, 258
6300	\$79.70	139
6301	\$70.40	139
6303	\$79.70	139
6304	\$70.40	139
6305	\$134.60	138
6306	\$206.00	142, 244
6307	\$134.60	138
6309	\$79.70	139
6310	\$134.60	136
6311	\$134.60	136
6313	\$70.40	139
6314	\$134.60	138
6315	\$170.80	138
6317	\$170.80	138
6320	\$134.60	138
6321	\$134.60	138
6322	\$134.60	136
6324	\$170.80	138
6325	\$170.80	138
6326	\$79.70	139
6327	\$70.40	139
6332	\$134.60	138
6335	\$134.60	136
6336	\$134.60	138
6337	\$134.60	138
6338	\$170.80	138
6339	\$170.80	138
6400	\$110.80	139
6403	\$110.80	139
6405	\$165.60	138
6407	\$165.60	138
6409	\$110.80	139

PN	PRICE	PAGE #
6410	\$165.60	136
6411	\$165.60	136
6414	\$165.60	138
6415	\$201.90	138
6416	\$201.90	138
6420	\$165.60	138
6421	\$180.10	138
6422	\$165.60	138
6423	\$165.60	136
6424	\$201.90	138
6426	\$110.80	139
6432	\$165.60	138
6435	\$165.60	136
6436	\$165.60	138
6437	\$165.60	138
6438	\$201.90	138
6559	\$190.00	53, 164, 331
6569	\$190.00	53, 164, 331
6800	\$160.00	223
6801	\$213.30	223
6802	\$287.80	223
6803	\$21.80	223
6804	\$455.40	223
6805	\$59.00	223
6806	\$66.30	223
6807	\$20.20	224
6808	\$101.50	224
6812	\$2.18	224
6813	\$2.90	224
6814	\$22.00	207
6815	\$12.50	207
6816	\$18.70	207
6817	\$14.50	207
6818	\$52.80	110, 242
6820	\$27.00	223
6821	\$52.80	111, 257
6822	\$30.00	225
7000	\$17.60	159
7001	\$18.00	159, 214, 255
7009	\$51.80	161
7010	\$14.10	159
7012	\$14.40	159, 214, 255
7013	\$22.60	159
7014	\$51.80	161, 214

PN	PRICE	PAGE #
7015	\$14.10	159
7016	\$14.40	159, 214, 255
7017	\$16.60	159
7020	\$14.50	159
7021	\$14.80	159, 214, 255
7022	\$4.14	165
7024	\$5.20	161
7025	\$14.50	159
7026	\$14.80	159, 214, 255
7027	\$17.50	159, 214, 255
7028	\$1.56	170
7030	\$18.50	159
7031	\$18.50	159
7035	\$18.50	159
7036	\$19.70	159
7037	\$18.50	159
7038	\$3.11	161, 214
7039	\$3.11	161, 214
7040	\$22.90	160
7042	\$3.32	159
7045	\$22.90	160
7050	\$16.60	159
7052	\$16.90	159, 214, 255
7054	\$16.60	159
7055	\$16.60	160
7056	\$16.60	160
7058	\$1.66	134, 170
7059	\$3.11	159, 160, 170
7060	\$19.90	214
7064	\$1.66	134, 170
7065	\$1.66	170
7068	\$36.50	154, 156, 256
7069	\$3.11	159, 160, 170, 255
7070	\$23.40	157, 214
7071	\$23.40	157
7073	\$57.50	157
7075	\$23.40	157
7078	\$7.20	164, 214, 331
7079	\$9.40	164, 331
7080	\$27.50	164, 214, 240





PN	PRICE	PAGE #
7082	\$10.50	210
7084	\$25.40	164, 212, 240
7085	\$21.80	165
7087	\$27.50	164, 212, 240
7089	\$25.40	164, 212, 240
7090	\$13.10	165, 214
7092	\$13.60	165
7094	\$57.00	149, 329
7095	\$24.50	156
7096	\$18.90	156
7097	\$20.70	156
7099	\$9.90	147
7100	\$9.90	147
7101	\$14.70	134
7102	\$15.10	134, 213
7103	\$2.18	170
7104	\$2.18	170
7109	\$7.80	209
7111	\$4.66	177
7112	\$5.20	177
7113	\$18.70	164, 331
7114	\$20.70	164, 331
7115	\$14.50	184
7116	\$27.00	209
7117	\$65.60	148
7119	\$43.50	147
7120	\$43.50	147
7122	\$5.50	172
7123	\$3.11	161, 214
7124	\$3.11	161, 214
7125	\$116.30	147
7126	\$2.70	147, 172
7127	\$5.50	172
7128	\$5.50	172
7133	\$9.60	154, 170, 256
7134	\$62.10	209
7135	\$119.70	147
7139	\$52.70	154, 256
7140	\$10.30	165, 214, 256
7141	\$10.30	165, 256
7143	\$683.10	214
7150	\$51.80	160, 238
7151	\$51.80	160, 214, 238, 255

PN	PRICE	PAGE #
7152	\$22.90	160
7154	\$22.90	159, 160
7155	\$22.80	160, 238
7156	\$23.20	160, 238, 255
7157	\$22.00	159
7158	\$20.50	160
7160	\$27.00	161, 238
7161	\$27.00	161, 238
7163	\$27.00	161, 238
7164	\$27.00	161, 214, 238
7166	\$23.90	160, 214, 238
7167	\$23.90	160, 238
7168	\$27.30	161, 238, 256
7169	\$27.30	161, 238, 256
7176	\$19.70	159
7185	\$3.59	155, 253
7186	\$3.52	155
7187	\$48.60	155, 253
7197	\$19.90	159
7199	\$147.00	149, 329
7203	\$27.50	149
7204	\$29.50	149
7205	\$27.50	149
7206	\$29.50	149
7208	\$30.50	147, 172
7209	\$76.60	149, 329
7212	\$106.70	147
7217	\$32.70	171, 246
7220	\$53.90	148
7222	\$78.70	148
7223	\$35.20	148, 150
7225	\$155.30	150
7226	\$14.00	171, 246
7227	\$59.60	171
7228	\$24.90	171
7229	\$22.90	171
7234	\$13.50	153
7235	\$44.60	171
7236	\$29.00	153
7238	\$51.80	150, 153
7239	\$62.10	153
7241	\$176.00	150
7242	\$41.40	150, 295

PN	PRICE	PAGE #
7246	\$49.00	152
7247	\$2.90	147, 152, 172, 247
7248	\$11.60	152, 247
7250	\$18.70	152
7251	\$18.70	152
7252	\$62.10	150
7253	\$3.11	152, 171
7254	\$29.30	150
7260	\$14.20	151
7262	\$27.00	206
7265	\$17.60	151
7267	\$50.80	78, 205
7268	\$21.80	152, 304
7270	\$32.70	150, 240, 257
7274	\$15.90	151
7279	\$15.90	151
7280	\$18.20	161, 240
7281	\$15.60	78, 151, 205
7282	\$24.90	152
7283	\$16.60	153
7285	\$18.20	161, 240
7287	\$109.80	148, 253
7288	\$109.80	148, 253
7289	\$122.50	147
7290	\$14.50	152
7291	\$8.30	147, 152
7302	\$52.70	154, 256
7309	\$9.40	154, 256
7311	\$10.40	147, 172
7321	\$29.60	81, 158, 257
7322	\$27.00	209
7324	\$27.00	209
7325	\$112.90	209
7326	\$122.70	209
7328	\$122.70	209
7329	\$103.50	209
7330	\$12.50	210
7332	\$12.50	210
7338	\$24.90	174
7350	\$20.60	156
7351	\$19.20	156
7352	\$19.70	156
7800	\$16.20	162
7801	\$16.20	162

PN	PRICE	PAGE #
7802	\$16.20	162
7803	\$16.20	162
7810	\$17.90	162
7811	\$17.90	162
7812	\$17.90	162
7813	\$17.90	162
7817	\$17.90	162
7821	\$21.70	162
7823	\$21.70	163
7827	\$21.70	163
7831	\$18.90	163, 222
7835	\$24.80	163
7836	\$24.80	163
7842	\$23.30	163
7843	\$23.30	163
7845	\$22.20	163
7847	\$22.20	163
7850	\$22.20	163
7851	\$22.20	163
7852	\$22.20	163
7900	\$13.10	162
7901	\$13.10	162
7902	\$13.10	162
7903	\$13.10	162
7910	\$14.70	162
7911	\$14.70	162
7912	\$14.70	162
7913	\$14.70	162
7917	\$14.70	162, 163
7921	\$18.60	162
7923	\$18.60	163
7927	\$18.60	163
7931	\$15.80	163
7935	\$21.70	163
7936	\$21.70	163
7945	\$19.10	163
7947	\$19.10	163
7950	\$19.10	163
7951	\$19.10	163
8001	\$370.00	129
8002	\$8.00	129, 280
8006	\$370.00	129
8010	\$15.60	129, 280
8012	\$18.70	127
8013	\$43.50	26, 28, 30, 127, 250
8021	\$34.20	206

PN	PRICE	PAGE #
8024	\$11.40	206
8031	\$33.20	206
8032	\$17.10	206
8034	\$7.30	93, 141, 206, 241, 246
8037	\$2.70	66
8038	\$3.32	66
8039	\$2.70	66
8045	\$4.77	208
8046	\$63.10	127
8047	\$63.10	127
8051	\$27.30	127
8054	\$1.04	208, 215
8055	\$1.14	208
8058	\$3.32	208
8059	\$17.10	91, 204
8060	\$16.60	202
8061	\$20.70	202
8062	\$20.70	202
8063	\$25.90	205
8067	\$98.40	218
8068	\$42.70	214, 218
8070	\$6.70	144
8071	\$67.30	215
8072	\$25.90	215
8074	\$2.28	208
8078	\$3.42	208
8082	\$4.56	208
8086	\$231.90	216
8089	\$20.70	202
8090	\$9.00	208
8092	\$118.00	216
8094	\$35.20	206
8095	\$145.90	216
8110	\$2.59	210
8111	\$17.60	211
8112	\$22.80	211
8113	\$25.90	211
8114	\$22.80	261, 267, 268
8115	\$9.40	210
8119	\$27.00	66
8126	\$0.42	65, 242
8128	\$7.50	65
8134	\$31.60	66
8134QS	\$64.20	65, 66
8136	\$3.21	66

PN	PRICE	PAGE #
8137	\$67.80	63, 64, 124
8139	\$195.70	63
8139QS	\$224.60	35, 37, 39, 41, 43, 45, 47, 49, 63
8143	\$200.80	32, 62, 63
8143QS	\$229.80	62, 63
8144	\$168.80	63
8144QS	\$229.80	63
8145	\$163.60	63
8145QS	\$224.60	63
8146	\$37.30	66
8147	\$39.70	66
8158	\$0.52	170
8162	\$67.80	63, 64, 124
8164	\$12.70	15, 17, 65
8177	\$299.70	64
8177QS	\$327.10	64
8178	\$338.00	64
8178QS	\$364.40	23, 25, 27, 29, 31, 35, 37, 39, 41, 43, 45, 47, 49, 64
8179	\$310.50	64
8179QS	\$337.50	64
8180	\$348.30	64
8180QS	\$374.70	64
8181	\$226.20	64
8181QS	\$254.70	64
8182	\$264.00	64
8182QS	\$291.90	64
8183	\$231.40	64
8183QS	\$259.80	64
8184	\$269.70	64
8184QS	\$297.10	64
8185	\$465.80	122
8186	\$491.70	122
8203	\$19.10	146
8218	\$150.10	131, 276
8222	\$10.90	127
8223	\$465.80	122
8230	\$72.50	125
8231	\$78.70	125
8237	\$491.70	122
8241	\$248.40	122
8242	\$138.70	123
8244	\$41.40	122

PN	PRICE	PAGE #
8253	\$72.50	35, 37, 39, 41, 43, 45, 124
8259	\$72.50	33, 35, 37, 39, 41, 43, 45, 124
8294	\$141.30	3, 35, 37, 39, 41, 43, 45, 125
8301	\$19.10	146
8303	\$64.20	35, 37, 39, 41, 43, 45, 125
8304	\$66.30	35, 37, 39, 41, 43, 45, 125
8305	\$41.40	122
8306	\$72.50	35, 37, 39, 41, 43, 45, 125
8307	\$78.70	35, 37, 39, 41, 43, 45, 125
8308	\$60.90	35, 37, 39, 41, 43, 45, 124
8309	\$60.90	35, 37, 39, 41, 43, 45, 124
8310	\$85.60	146
8311	\$398.50	70, 74
8312	\$85.60	146
8313	\$88.00	71, 74
8314	\$199.00	146
8316	\$113.90	146
8320	\$397.50	146
8321	\$397.50	146
8322	\$293.50	146
8323	\$225.90	146
8324	\$314.70	146
8326	\$314.70	146
8327	\$310.50	146
8329	\$486.50	19, 21, 25, 27, 29, 31, 146
8331	\$170.80	123
8332	\$140.80	123
8333	\$77.70	123
8334	\$77.70	123
8335	\$97.30	123
8336	\$107.70	19, 21, 35, 37, 39, 41, 43, 45, 125

PN	PRICE	PAGE #
8337	\$64.20	19, 21, 33, 35, 37, 39, 41, 43, 45, 125
8338	\$66.30	33, 35, 37, 39, 41, 43, 45, 125
8343	\$155.30	123
8349	\$165.60	25, 29, 128
8353	\$436.80	74
8356	\$72.50	35, 37, 39, 41, 43, 45, 125
8357	\$78.70	35, 37, 39, 41, 43, 45, 125
8364	\$97.30	123
8378	\$60.90	33, 35, 37, 39, 41, 43, 45, 124
8379	\$60.90	33, 35, 37, 39, 41, 43, 45, 124
8389	\$217.40	103
8390	\$240.00	126
8393	\$240.00	126
8397	\$305.40	127
8398	\$257.80	127
8400	\$300.00	19, 21, 129
8402	\$248.40	122
8404	\$126.30	74
8407	\$41.40	122
8408	\$30.10	130, 131, 276
8409	\$196.70	131, 276
8410	\$33.80	129, 250
8411	\$4.66	129
8413	\$2.59	129
8414	\$7.80	129
8421	\$150.10	131, 276
8429	\$305.40	127
8430	\$257.80	127
8431	\$186.30	131, 276
8432	\$186.30	131, 276
8438	\$266.60	130, 288
8449	\$217.40	131, 276
8450	\$226.70	131, 276
8453	\$217.40	131, 276
8454	\$196.70	131, 276
8463	\$260.00	11, 131, 276



PN	PRICE	PAGE #	PN	PRICE	PAGE #	PN	PRICE	PAGE #	PN	PRICE	PAGE #
8464	\$196.70	131,276	8620	\$16.60	203	8822	\$10.70	216	8869	\$3.32	216
8465	\$196.70	131,276	8621	\$1.87	204,215	8823	\$9.80	216	8870	\$2.34	216
8466	\$196.70	131,276	8622	\$9.20	203	8824	\$9.80	216	8871	\$2.34	216
8470	\$25.60	130,131, 269,276	8625	\$21.80	205	8825	\$8.60	216	8884	\$13.00	216
8471	\$25.60	130,131, 276	8627	\$21.80	78,205	8826	\$8.60	216	8885	\$10.40	180,215
8472	\$21.30	130,131, 211,276	8628	\$20.70	78,205	8827	\$8.60	216	8886	\$14.00	216
8474	\$30.10	130,131, 276	8631	\$8.30	264	8828	\$8.60	216	8887	\$14.00	216
8475	\$29.00	130,131, 276	8632	\$138.70	123	8829	\$8.60	216	8888	\$14.00	216
8476	\$25.60	130,131, 276	8633	\$140.80	123	8830	\$8.60	216	8890	\$33.20	265,273
8478	\$140.80	131,276	8634	\$107.70	35,37,39, 41,43,45, 125	8831	\$8.60	216	8907	\$113.90	146
8482	\$267.10	11	8636	\$23.50	267	8832	\$11.50	216	8908	\$199.00	146
8488	\$414.00	130,288	8647	\$165.60	25,27,29, 31,128	8833	\$14.00	216	8909	\$486.50	146
8489	\$141.30	3,35,37, 39,41,43, 45,125	8649	\$30.10	206	8834	\$14.00	216	8912	\$140.80	131,276
8493	\$410.00	5,7,9,132, 287	8650	\$19.70	206	8835	\$14.00	216	8913	\$196.70	131,276
8497	\$410.00	5,7,9,130, 288	8651	\$48.70	206	8836	\$11.20	216	8914	\$226.70	131,276
8500	\$410.00	5,7,9,132, 287	8652	\$7.30	242	8837	\$7.30	216	8917	\$410.00	5,7,9,132, 287
8506	\$414.00	132,288	8655	\$31.10	206	8838	\$4.62	216	8918	\$410.00	5,7,9,130, 288
8515	\$410.00	5,7,9,132, 287	8660	\$29.70	199	8839	\$4.62	216	8919	\$410.00	5,7,9,132, 288
8522	\$410.00	5,7,9,132, 287	8663	\$38.80	199	8840	\$4.21	216	8920	\$414.00	130,288
8538	\$410.00	5,7,9,132, 287	8664	\$43.30	199	8841	\$4.21	216	8921	\$240.00	7,11,131, 276
8552	\$410.00	5,7,9,132, 287	8668	\$12.50	204	8842	\$4.00	216	8922	\$240.00	131,276
8561	\$410.00	5,7,9,130, 288	8669	\$7.90	65	8843	\$4.00	216	8923	\$160.00	25,27,29, 31,128
8568	\$414.00	130,288	8669QS	\$36.30	65	8844	\$4.00	216	8928	\$326.10	64
8600	\$9.40	267	8671	\$10.40	313,322	8845	\$4.00	216	8928QS	\$355.00	21,25,27, 29,31,64
8601	\$13.20	268	8673	\$11.40	313,322	8846	\$4.93	216	8938	\$415.80	260
8602	\$14.50	266	8674	\$9.40	313,322	8847	\$4.93	216	8939	\$140.80	131,276
8603	\$8.60	264	8683	\$24.60	267,268, 274	8848	\$6.00	216	8940	\$150.10	131,276
8611	\$3.99	199	8684	\$24.60	274	8849	\$6.00	216	8941	\$74.10	15,17,65
8612	\$4.56	199	8687	\$20.70	266,273	8850	\$6.00	216	8942	\$48.70	65
8613	\$3.99	199	8688	\$15.10	261,265, 273	8851	\$6.00	216	8943	\$34.20	65
8614	\$4.56	199	8692	\$34.70	275	8852	\$6.00	216	8944	\$132.00	65
8615	\$8.00	199	8693	\$44.90	275	8853	\$4.14	216	8945	\$196.70	131,276
8616	\$8.60	199	8694	\$44.90	275	8854	\$2.18	216	8946	\$23.90	65
8617	\$20.50	124	8696	\$12.00	274	8855	\$3.38	216	8947	\$1.56	65
8618	\$20.50	124	8697	\$22.80	203,269	8856	\$3.38	216	8949	\$217.40	131,276
8619	\$14.40	260	8699	\$12.50	210,266	8857	\$3.52	216	8952	\$226.70	131,276
			8700	\$19.70	269	8858	\$3.38	216	8956	\$160.00	25,29,128
			8729	\$465.80	122	8859	\$3.38	216	8959	\$60.10	264
			8730	\$491.70	122	8860	\$3.38	216	8969	\$240.00	7,11,131, 276
			8781	\$248.40	180,215	8861	\$3.38	216	8972	\$240.00	131,276
			8814	\$48.10	75	8862	\$3.38	216	8986	\$260.00	11,131, 276
			8815	\$48.10	75	8863	\$6.30	216	8987	\$201.90	131,276
			8821	\$11.20	216	8864	\$8.30	216			
						8865	\$8.30	216			
						8866	\$3.11	216			
						8867	\$2.07	216			
						8868	\$3.21	216			

PN	PRICE	PAGE #
9001	\$25.90	208
9002	\$14.50	230, 246, 247, 248
9003	\$8.30	230
9004	\$6.40	230, 247, 248
9005	\$7.70	230
9007	\$10.40	235
9010	\$7.80	141, 245, 246, 258
9012	\$14.00	141, 142, 144, 230, 235, 245, 246
9013	\$1.27	248
9014	\$1.27	248
9015	\$5.10	248
9016	\$5.20	248
9017	\$3.71	248
9019	\$8.80	236
9021	\$4.02	249
9023	\$6.50	236
9024	\$4.43	249
9025	\$3.59	233, 236, 249
9026	\$8.80	141, 245
9027	\$2.90	235
9028	\$24.90	93, 96, 241
9029	\$6.80	141, 142, 144, 245, 246
9035	\$2.65	249
9036	\$3.28	249
9037	\$3.28	249
9038	\$3.38	249
9039	\$4.77	246
9042	\$8.50	249
9043	\$10.40	208
9046	\$6.30	235
9048	\$4.77	248
9049	\$17.60	141, 245
9050	\$2.65	235, 248
9051	\$0.63	235
9052	\$10.90	235
9053	\$105.60	250
9054	\$9.90	250
9055	\$9.40	250
9056	\$8.70	250
9057	\$12.50	250

PN	PRICE	PAGE #
9058	\$12.50	250
9059	\$6.30	250
9060	\$5.20	250
9061	\$8.30	250
9062	\$9.40	233, 250
9063	\$8.30	250
9064	\$8.30	250
9065	\$0.32	233
9066	\$4.35	141, 233, 246
9067	\$8.80	233
9068	\$7.30	233
9069	\$6.80	233
9070	\$23.30	233
9071	\$12.50	250
9080	\$6.10	251, 252
9081	\$35.90	251, 252
9082	\$25.40	141, 246
9083	\$18.50	251, 252
9084	\$13.00	251, 252
9085	\$9.00	251, 252
9086	\$9.00	251, 252
9087	\$27.50	252
9088	\$30.70	251
9089	\$13.10	251
9090	\$32.70	251
9093	\$12.70	248
9094	\$10.60	248
9095	\$5.30	248
9097	\$10.60	156, 247
9098	\$5.30	247, 248
9105	\$14.80	247
9106	\$1.91	247, 248
9107	\$11.40	247
9108	\$7.80	247
9109	\$5.90	248
9114	\$25.40	233
9115	\$29.50	233
9116	\$27.50	233
9117	\$21.30	236
9118	\$165.90	148, 256
9121	\$13.00	142, 246
9123	141	\$9.60
9124	\$13.00	142, 246
9125	\$11.40	141, 245
9127	\$10.60	247
9134	\$40.20	256

PN	PRICE	PAGE #
9140	\$18.20	247
9141	\$64.20	141, 245
9142	\$24.30	248
9143	\$19.50	248
9144	\$47.10	142, 246
9146	\$310.50	235
9147	\$21.30	235
9148	\$23.30	235
9149	\$21.30	236
9150	\$28.50	93, 241
9151	\$28.50	235
9152	\$16.60	235
9153	\$16.60	235
9154	\$103.50	232
9155	\$22.80	149
9157	\$16.60	231, 232
9158	\$10.40	231, 232
9160	\$15.10	141, 245
9161	\$14.50	231, 232
9163	\$21.20	247
9164	\$18.00	248
9165	\$17.10	248
9166	\$11.40	142, 246
9167	\$22.30	232, 234
9168	\$33.70	232, 234
9169	\$63.20	232, 234
9171	\$4.66	142, 246
9172	\$38.30	239
9173	\$37.80	239
9177	\$4.12	243
9180	\$23.90	236
9184	\$19.60	249
9186	\$20.70	93, 241
9187	\$67.90	148, 247
9188	\$67.90	148, 247
9224	\$5.00	129
9234	\$1.04	208
9235	\$1.56	208
9236	\$3.63	208
9237	\$20.70	237
9240	\$14.30	284
9242	\$14.30	284
9243	\$44.60	240
9244	\$11.20	284
9245	\$72.50	284
9247	\$49.70	286
9248	\$49.70	286

PN	PRICE	PAGE #
9249	\$37.30	286
9254	\$37.30	286
9257	\$7.00	232
9258	\$18.20	286
9260	\$12.90	283
9270	\$31.10	211
9275	\$78.90	148, 256
9276	\$11.40	329
9277	\$67.30	222
9279	\$31.10	211
9280	\$25.90	211
9281	\$21.00	211
9282	\$35.20	211
9283	\$14.50	211
9284	\$15.60	211
9285	\$14.50	211
9286	\$17.10	91, 93, 204, 204
9287	\$13.00	91, 204
9288	\$2.59	202
9289	\$4.35	203, 269
9290	\$68.90	239
9292	\$84.40	239
9293	\$68.90	239
9298	\$38.30	239
9299	\$37.80	239
9302	\$102.50	226
9303	\$269.10	311
9304	\$31.50	261
9305	\$7.50	237
9306	\$16.10	237
9307	\$34.70	237
9308	\$21.30	231, 237
9309	\$21.30	231, 237
9310	\$33.20	226
9311	\$8.30	232
9312	\$55.90	232
9313	\$8.30	237
9314	\$28.00	237
9315	\$29.50	234
9316	\$24.90	202
9317	\$19.20	92, 239
9318	\$24.60	232
9319	\$13.50	232
9320	\$17.60	231
9323	\$5.20	237
9324	\$19.70	234



PN	PRICE	PAGE #
9325	\$11.40	202
9326	\$23.90	93, 241
9327	\$14.90	242
9328	\$20.70	235
9329	\$4.66	139, 143
9330	\$5.20	177
9331	\$5.20	177
9332	\$4.35	177
9333	\$5.20	177
9334	\$23.30	237
9335	\$23.30	237
9336	\$3.63	237
9337	\$3.63	237
9338	\$20.70	189
9339	\$7.70	189
9340	\$4.14	207
9341	\$8.80	189, 319
9342	\$6.30	189, 319
9343	\$20.20	189
9347	\$46.60	93, 241
9348	\$139.80	71, 74
9350	\$20.50	199, 305
9351	\$22.80	199, 305
9352	\$25.10	199
9353	\$27.40	199
9356	\$14.00	210
9358	\$66.30	70, 71, 74
9359	\$94.20	74
9360	\$37.30	76, 272
9361	\$37.30	76, 272
9362	\$29.00	76, 272
9363	\$72.50	76, 272
9364	\$24.90	260, 273
9365	\$22.80	275
9368	\$42.70	275
9370	\$19.70	275
9372	\$70.60	76, 272
9373	\$70.60	76
9374	\$70.60	76, 272
9377	\$49.70	265, 273
9378	\$158.90	74
9390	\$21.80	260
9391	\$57.00	260
9392	\$73.50	260
9395	\$70.60	70, 71, 72, 73, 76, 272
9400	\$190.50	328

PN	PRICE	PAGE #
9401	\$128.40	328
9402	\$153.20	330
9404	\$153.20	166, 330
9405	\$184.30	328
9406	\$170.80	328
9407	\$176.00	328
9408	\$134.60	328
9410	\$8.30	231
9411	\$3.73	230
9412	\$7.80	230
9413	\$9.90	230
9414	\$207.00	327
9415	\$310.50	326
9420	\$434.70	310
9423	\$227.70	311
9424	\$260.90	311
9425	\$277.40	311
9475	\$150.00	73
9476	\$150.00	73
9477	\$150.00	73
9478	\$150.00	73
9479	\$150.00	73
9480	\$174.00	73
9481	\$174.00	24, 26, 28, 30, 32, 34, 36, 38, 40, 42, 44, 46, 48, 73
9482	\$174.00	73
9483	\$174.00	3, 5, 7, 15, 17, 23, 73
9484	\$174.00	73
9485	\$198.00	73
9486	\$198.00	73
9487	\$198.00	73
9488	\$198.00	73
9489	\$212.00	73
9490	\$212.00	73
9491	\$212.00	73
9492	\$212.00	73
9499	\$20.70	70, 71, 72, 73
9570	\$13.50	271
9571	\$39.40	271
9572	\$67.30	271
9575	\$144.90	263
9576	\$144.90	262
9577	\$144.90	263

PN	PRICE	PAGE #
9578	\$113.90	263
9579	\$144.90	263
9580	\$113.90	263
9581	\$103.50	262
9582	\$144.90	262
9583	\$113.90	262
9584	\$107.70	271
9587	\$51.80	283
9588	\$414.00	283
9589	\$43.50	283
9601	\$0.21	96
9602	\$0.21	144
9603	\$175.00	75
9604	\$175.00	75
9614	\$2.07	112
9615	\$7.30	112
9616	\$5.20	112
9617	\$14.00	112
9631	\$20.20	124
9632	\$9.40	112
9633	\$14.00	112
9634	\$6.60	112
9648	\$1.45	87, 96
9649	\$0.52	170
9651	\$1.45	87, 96
9659	\$0.52	96
9670	\$0.73	87, 96
9674	\$0.73	88, 89, 96
9675	\$0.52	134
9677	\$0.52	96
9700	\$5.20	203
9704	\$1.04	92
9705	\$28.00	202
9706	\$35.20	202
9741	\$0.21	144
9746	\$0.52	144, 258
9750	\$0.83	134
9784	\$3.21	176
9785	\$3.21	176
9786	\$3.21	176
9787	\$3.21	176
9789	\$0.21	144
9790	\$0.21	172
9796	\$0.83	134, 170
9797	\$0.52	144
9833	\$0.83	134
9872	\$212.00	73

PN	PRICE	PAGE #
9873	\$198.00	73
9874	\$212.00	73
9875	\$198.00	73
9876	\$230.00	3, 5, 7, 15, 17, 23, 71
9877	\$230.00	71
9878	\$230.00	24, 26, 28, 30, 32, 34, 36, 40, 42, 44, 46, 48, 71
9879	\$230.00	71
9880	\$230.00	71
9881	\$320.00	3, 5, 7, 15, 17, 23, 71
9882	\$320.00	71
9883	\$320.00	24, 26, 28, 30, 32, 34, 36, 40, 42, 44, 46, 48, 71
9884	\$320.00	71
9885	\$530.00	3, 5, 7, 15, 17, 23, 70
9886	\$530.00	24, 26, 32, 34, 36, 46, 70
9887	\$530.00	70
9888	\$530.00	70
9889	\$620.00	3, 5, 7, 15, 17, 23, 70
9890	\$620.00	70
9891	\$620.00	24, 26, 32, 34, 36, 38, 46, 70
9892	\$620.00	70
9893	\$620.00	70
9894	\$530.00	70
9895	\$320.00	71
9896	\$370.00	71
9897	\$370.00	71
9898	\$370.00	24, 26, 28, 30, 32, 34, 36, 38, 40, 42, 44, 46, 48, 71
9899	\$370.00	71
9900	\$370.00	3, 5, 7, 15, 17, 23, 71
9901	\$280.00	71
9902	\$280.00	71

PN	PRICE	PAGE #	PN	PRICE	PAGE #	PN	PRICE	PAGE #	PN	PRICE	PAGE #
9903	\$280.00	24, 26, 28, 30, 32, 34, 36, 38, 40, 42, 44, 46, 48, 71	54108	\$10.00	129, 280	R4491	\$410.00	3			
9904	\$280.00	71	54115	\$110.00	282	R4492	\$410.00	3			
9905	\$280.00	3, 5, 7, 15, 17, 23, 71	54117	\$110.00	282	R4498	\$410.00	3			
9950	\$3.11	207	54626	\$3.00	282	R4501	\$410.00	3			
9951	\$2.28	207	54627	\$12.00	282	R4511	\$3,680.00	14			
9955	\$393.30	72	54628	\$3.00	282	R4523	\$2,360.00	14			
9956	\$414.00	72	68284	\$400.00	225	R4540	\$4,050.00	14			
9957	\$393.30	72	68285	\$60.00	225	R4766	\$240.00	3			
9958	\$414.00	72	68372	\$3.00	226	R4767	\$260.00	5, 9			
9959	\$393.30	72	68412	\$50.00	226	R4768	\$240.00	2, 3			
9960	\$414.00	72	68477	\$100.00	226	R9246	\$410.00	3			
9970	\$150.00	73	68592	\$60.00	225	R52892G	\$100.00	3, 5, 7, 9, 19, 21			
9971	\$150.00	73	68593	\$70.00	225	R52906G	\$640.00	5, 9			
9972	\$150.00	73	68594	\$70.00	225	R52906W	\$640.00	4, 5, 9			
9973	\$150.00	73	68906	\$5.00	224	RO4000	\$4,430.00	4			
9974	\$150.00	73	P050	\$2,931.40	295	RO4001	\$3,660.00	6			
9975	\$174.00	73	S601B	\$72.90	198	RO4002	\$2,170.00	8			
9976	\$174.00	24, 26, 28, 30, 32, 34, 36, 38, 40, 42, 44, 46, 48, 73	S601R	\$72.90	198	RO4050	\$4,430.00	4			
9977	\$174.00	73	S601	\$0.92	198	RO4051	\$3,660.00	6			
9978	\$174.00	3, 5, 7, 15, 17, 23, 73	S603B	\$72.90	198	RO4052	\$2,170.00	8			
9979	\$174.00	73	S603R	\$72.90	198	RO4100	\$4,960.00	4			
9980	\$198.00	73	S603	\$0.92	198	RO4102	\$2,640.00	8			
9981	\$198.00	73	S604B	\$72.90	198	RO4150	\$4,960.00	4			
9982	\$198.00	73	S604R	\$72.90	198	RO4152	\$2,640.00	8			
9983	\$198.00	73	S604	\$0.92	198	RP4000	\$2,810.00	2, 3, 4, 5, 7, 8, 9, 11			
9984	\$212.00	73	S605B	\$72.90	198	RP4050	\$2,810.00	3, 5, 7, 9			
9985	\$212.00	73	S605R	\$72.90	198	RP4050	\$2,810.00	11			
9986	\$212.00	73	S605	\$0.92	198	RS4000	\$5,020.00	2			
9987	\$212.00	73	S610B	\$79.70	198	RS4001	\$4,380.00	2			
42021	\$1.00	110	S610R	\$79.70	198	RS4002	\$1,410.00	2			
49188	\$50.00	110	S610	\$0.80	198	RS4050	\$5,020.00	2			
51770	\$510.00	279	S611B	\$79.70	198	RS4051	\$4,380.00	2			
51979	\$510.00	279	S611R	\$79.70	198	RS4052	\$1,410.00	2			
52081	\$1.00	110	S611	\$0.80	198	RW4000	\$4,320.00	22			
52161G	\$60.00	123	S615B	\$72.90	198	RW4050	\$4,320.00	22			
52161W	\$60.00	123	S615R	\$72.90	198	SAR051	\$1,000.00	12			
52718	\$31.10	181	S615	\$0.94	198, 243	SDR051	\$820.00	12			
52875	\$50.00	110	SV05R	\$190.20	199						
53066	\$20.00	276	SV05	\$2.28	199						
			R4042	\$260.00	4, 5, 8, 9						
			R4220	\$2,150.00	18						
			R4221	\$2,780.00	20						
			R4227	\$1,440.00	18						
			R4228	\$1,440.00	20						
			R4240	\$2,390.00	16						
			R4245	\$2,050.00	16						
			R4489	\$410.00	3						



A-DEC® PN	DESCRIPTION	DCI PN
001.002.00	Screw, Slotted Truss Head, 2-56 x 1/8, Stainless Steel; Pkg of 10	9025
001.010.00	Screw, Socket Head, 6-32 x 5/8, Zinc; Pkg of 25	9056
001.021.00	Screw, Socket Head, 4-40 x 1/2, Stainless Steel; Pkg of 25	9061
001.023.00	Screw, Phillips Pan Head, 6-32 x 1-1/4, Stainless Steel; Pkg of 25	9128
001.024.00	Screw, Socket Head, 4-40 x 3/8, Stainless Steel; Pkg of 25	9060
001.026.00	Screw, Socket Head, 6-32 x 7/8, Stainless Steel; Pkg of 25	9057
001.033.00	Screw, Socket Head, 6-32 x 3/8, Zinc; Pkg of 25	9054
001.034.00	Screw, Socket Head, 6-32 x 1/4, Zinc; Pkg of 10	9021
001.034.01	Screw, Socket Head, 6-32 x 1/4, Zinc; Pkg of 25	9058
001.042.00	Screw, Socket Head, 6-32 x 1/2, Zinc; Pkg of 25	9055
001.070.00	Screw, Socket Head, 2-56 x 1/2, Zinc; Pkg of 25	9063
001.073.00	Screw, Slotted Pan Head, 6-32 x 1/4, Zinc; Pkg of 10	9024
001.089.00	Screw, Socket Head, 1/4-20 x 5/8, Zinc; Pkg of 25	9064
002.011.00	Screw, Socket Head, 6-32 x 1, Stainless Steel; Pkg of 25	9071
002.024.00	Screw, Socket Head, 4-40 x 3/4, Zinc; Pkg of 25	9062
002.097.00	Screw, Socket Button Head, 4-40 x 5/16, Stainless Steel	9051
003.078.00	Screw, Socket Head, 4-40 x 1/4, Zinc; Pkg of 25	9059
004.005.01	10-32 Washer, Plastic; Pkg of 100	0072
004.036.00	Washer, Nylon, .142 I.D. x .312 O.D.; Pkg of 50	9042
004.057.00	Brass Washer; Pkg of 10	9171
004.137.00	Washer for Water Bottle Cap	8136
007.001.00	Setscrew, Socket, 6-32 x 1/8, Stainless Steel	9065
007.002.00	Setscrew, Socket, 6-32 x 3/16, Stainless Steel; Pkg of 10	9022
007.051.00	Screw, Socket Cap Set, 10-32 x 1/2 Steel	9833
009.005.00	Ball Driver, 3/32"	9700
009.008.00	Hemostat	9325
009.013.00	O-Ring Tool Kit	9316
009.015.00	Umbilical Tubing Stringer, 12'	8094
009.018.00	Hex Wrench Set, Standard	9705
009.035.00	Tubing Stripper	8621
010.002.00	Retaining Ring, External, .18 I.D.; Pkg of 10	9035

A-DEC® PN	DESCRIPTION	DCI PN
010.013.00	Retaining Ring, Internal, 3/8 O.D.; Pkg of 10	9036
010.017.00	Retaining Ring, Internal, 1/4 O.D.; Pkg of 10	9037
010.019.00	Retaining Ring, External, .094 I.D.; Pkg of 10	9038
010.056.00	Foot Control Tower Spring Clip	6095
011.016.00	Foot Control Dowel Pin	0911
011.024.00	Pin, Dowel, .062 x .460; Pkg of 10	9032
011.038.01	Pin, Dowel, .062 x .430; Pkg of 10	9033
011.039.00	Pin, Dowel, .062 x .450; Pkg of 10	9034
013.004.00	Compression Spring, .88 x .420 O.D. x .037 Wire Dia.; Pkg of 10	9122
013.011.00	Compression Spring; Pkg of 10	9125
013.019.00	Compression Spring, .45 x .175 O.D. x .016 Wire Dia.; Pkg of 10	9124
013.022.00	Spring for FC II; Pkg of 10	9026
013.025.00	Spring Helical Comp.; Pkg of 10	9027
013.032.00	Spring, Conical .260 / .350 O.D.; Pkg of 10	9095
013.038.00	Syringe Button Spring, Conical; Pkg of 10	9028
017.007.01	Foot Control Bumper Pad, Gray; Pkg of 28	8070
018.022.00	Plug Hole, Domed; Pkg of 10	9176
0.02060201	O-Rings to fit A-dec®/W&H Roto Quick Couplers; Pkg of 3	4736
021.004.00	1/8" MPT Hex Nipple	0094
021.007.00	1/4" MPT x FPT Street Elbow	0840
021.010.00	1/8" MPT Pipe Plug, Hex Head	0097
021.012.00	1/4" x 1/8" MPT Reducing Nipple	0836
021.014.00	1/8" FPT Cross	0096
021.016.01	10-32 Hex Plug; Pkg of 100	0189
021.016.04	10-32 Hex Plug; Pkg of 10	0073
021.020.00	1/8" MPT Pipe Plug, Socket Head	0099
021.027.00	10-32 Cross Connector, Female	0064
021.028.00	1/4" MPT Pipe Plug, Hex Head	0159
021.029.00	10-32 x 1/8" MPT Bushing	0091
021.030.00	1/4" FPT x 1/8" FPT Reducing Coupler	0133
021.032.00	1/8" Coupler, Female	0092
021.034.01	10-32 Connector Female; Pkg of 5	0063
021.042.00	1/8" MPT Adapters x 3/8" Compression Tube	0100

A-dec®, Cascade®, Century Plus®, Century®, Continental®, Decade®, Performer®, Preference®, Preference Collection®, Radius®, A-dec 500® and A-dec 300® are registered trademarks of A-dec®, Inc. DCI has no affiliation with A-dec and A-dec has not authorized DCI replacement parts to be used on or in connection with A-dec® products.

A-DEC® PN	DESCRIPTION	DCI PN
022.001.00	FIG 1/4 Poly x 1/8 MPT	0053
022.003.00	1/4" Poly x 1/8" MPT Elbow	0061
022.005.01	1/4" Poly Sleeve; Pkg of 10	0023
022.009.00	1/4" Poly Plug; Pkg of 5	0025
022.014.00	3/8" Poly Nut & Sleeve; Pkg of 5	0020
022.015.01	3/8" Poly Sleeve; Pkg of 10	0022
022.016.00	1/4" Poly x 1/8" FPT	0057
0.02201800	5-Hole HP Gasket	0124
022.019.00	1/4" Poly Tee	0036
022.021.00	3/8" Poly x 1/8" MPT	0051
022.023.00	3/8" Poly x 1/4" FPT	0055
022.025.00	3/8" Poly x 1/8" MPT Elbow	0059
022.027.00	1/4" Poly x 1/4" FPT	0056
022.028.00	3/8" Poly x 1/4" MPT	0050
022.029.00	1/4" Poly Nut & Sleeve; Pkg of 5	0021
022.039.00	1/4" Poly Union	0032
022.043.00	3/8" Poly x 3/8" Compression Tube	0864
022.044.00	3/8" Poly Union	0031
022.045.00	3/8" Poly Tee	0035
0.02207300	6-Pin HP Gasket	4710
0.02207610	Bulb to fit A-dec®/W&H Handpieces, 3.5 V 750MA	9361
023.001.00	10-32 x 1/8", Barb; Pkg of 100	0188
023.001.03	1/8" Barb, Washer and Sleeve Kit; Pkg of 10	0075
023.004.03	1/16" Barb, Washer and Sleeve kit; Pkg of 10	0074
023.004.04	10-32 x 1/16", Barb; Pkg of 100	0187
023.005.01	1/16" Barb x 1/8" MPT	0067
023.014.02	1/16" Barb Tee, Plastic; Pkg of 10	0082
023.019.03	1/16" In-line Barb; Pkg of 10	0077
023.022.01	1/8" Barb x 10-32 Female x 1/8" Barb Tee; Pkg of 5	0076
023.029.00	1/8" x 1/4" Barb Adapter Kit	9111
023.030.02	1/8" Barbed Tubing Plugs; Pkg of 10	0066
023.045.04	1/8" In-line Barb; Pkg of 10	0078
023.057.01	1/4" Barbed Tubing Plugs; Pkg of 10	0105
023.070.00	Barb Restrictor 1/16 x 10-32	13886

A-DEC® PN	DESCRIPTION	DCI PN
023.088.00	1/4 Q.D. Barb to fit A-dec® 500 & 300 Control Block, Vinyl Tubing	9336
023.094.01	1/16" x 1/16" Inline Tubing Q.D., Swivel, Assy; Pkg of 5	0868
023.095.01	1/8" x 1/8" Inline Tubing Q.D., Swivel, Assy; Pkg of 5	0866
023.805.01	10-32 x 5/16", Barb; Pkg of 10	0171
024.010.00	Vacuum Tubing, 1-1/4" I.D., Corrugated Gray	706
024.015.00	Supply Tubing, 1/8", Poly Clear	1203
024.015.01	Supply Tubing, 1/8", Poly Clear; Roll of 100 ft.	1203R
024.028.00	Vacuum Tubing, 3/4" I.D., Corrugated Gray	704
024.037.00	Vacuum Tubing, 5/8" I.D., Corrugated Gray	703
024.071.00	FC Tubing, 5 Hole, Poly Gray	512
024.071.01	FC Tubing, 5 Hole, Poly Gray; Roll of 100 ft.	512R
024.074.00	Vacuum Tubing, 1" I.D., Corrugated Gray	705
024.076.00	Vacuum Tubing, 1-1/2" I.D., Corrugated Gray	707
024.090.04	Supply Tubing, 1/4", Poly Gray	1405
024.122.00	HP Tubing, 4 Hole, Asepsis Straight Black	431
024.123.00	HP Tubing, 4 Hole, Asepsis Straight Gray	432
024.130.00	HP Tubing, 3 Hole, Asepsis Straight Black	321
024.131.00	HP Tubing, 3 Hole, Asepsis Straight Gray	322
024.142.03	Saliva Ejector Tubing, 3/16" I.D., Vinyl Dark Surf	5615
024.144.03	Vacuum Tubing, 1/2" I.D., Smooth Asepsis Dark Surf	737
024.148.01	HP Tubing, 4 Hole, Asepsis Straight Dark Surf	435
024.148.04	HP Tubing, 4 Hole, Asepsis Straight Dark Surf; Roll of 100 ft.	435R
024.151.03	FC Tubing, 5 Hole, Poly Dark Surf	511
024.155.02	Syringe Sheath Tubing, 3 Hole, Dark Surf	645
024.202.01	Foot Control Sheath Tubing, 5 Hole, Asepsis, Dark Surf	653
024.218.03	Saliva Ejector Tubing, 3/16" I.D., Vinyl Gray	5601
024.220.01	Vacuum Tubing, 1/2" I.D., Corrugated Gray	701
024.221.01	Vacuum Tubing, 1/2" I.D., Smooth Asepsis Gray	733
024.223.02	Syringe Sheath Tubing, 3 Hole, Gray	646
024.229.01	Foot Control Sheath Tubing, 5 Hole, Asepsis, Gray	654
024.232.01	Vacuum Tubing, 1-3/4" I.D., Corrugated Gray	708
025.002.01	Cable Tie, Adjustable, 8"; Pkg of 10	8058
025.007.01	1/8" Uni-Clamp, 2-Piece; Pkg of 10	0089

A-dec®, Cascade®, Century Plus®, Century®, Continental®, Decade®, Performer®, Preference®, Preference Collection®, Radius®, A-dec 500® and A-dec 300® are registered trademarks of A-dec®, Inc. DCI has no affiliation with A-dec and A-dec has not authorized DCI replacement parts to be used on or in connection with A-dec® products.





A-DEC® PN	DESCRIPTION	DCI PN
025.007.02	1/8" Uni-Clamp, 2-Piece; Pkg of 100	0199
025.015.01	1/4" Clamp Sleeve; Pkg of 10	0070
025.015.02	1/4" Clamp Sleeve; Pkg of 100	0197
025.019.01	Cable Tie-Mount, Adjustable; Pkg of 10	8045
025.036.01	Cable Tie, Adjustable, 4"; Pkg of 10	8054
026.001.00	1/4" Poly Q.D. Panel Mount w/ Shut-off, Female	0011
026.007.00	3/8" Q.D. Female x 1/4" MPT w/ Shut-off	0016
026.015.00	1/4" Q.D. Female x 1/8" MPT w/ Shut-off	0018
026.020.00	1/4" Poly Q.D. w/ Shut-off, Male 1/4"	0014
026.022.00	3/8" Poly Q.D. Panel Mount w/ Shut-off, Female	0010
026.029.00	1/4" Q.D. Female x 1/4" MPT w/ Shut-off	0017
026.033.01	Syringe Valve Cores; Pkg of 10	3090
026.035.00	1/4" Poly Q.D. w/o Shut-off, Male	0015
026.036.00	Valve Mounting Bracket, Single	7078
026.040.00	3/8" Poly Q.D. w/o Shut-off, Male	0013
026.043.00	3/8" Poly Q.D. w/ Shut-off, Male	0012
026.062.00	Manual Shut-Off Valve, 1/2" Compression x 3/8" Compression	7099
026.065.00	1/4" Q.D. Panel Mount x 10/32 w/ Shut-off, Female	0006
026.066.00	Air Filter Moisture Separator w/ 5 Micron Filter	7239
026.073.02	Check Valve	7081
026.074.00	Shuttle Valve, 1/8"	7090
026.083.01	Rectangular Air Gauge	7270
026.118.00	Round Pressure Gauge, Panel Mount, 0-100 PSI	7265
026.125.00	Female Q.D. to fit A-dec®, Self Contained Water	9172
026.130.00	Q.D. Kit to fit A-dec®, Air	9290
026.132.00	Female Q.D. to fit A-dec®, Air	9291
026.134.00	Q.D. Kit to fit A-dec®, City Water	9292
026.157.00	Female Q.D. to fit A-dec®, City Water	9173
026.158.00	Manual Shut-Off Valve, 1/2" FPT Inlet	7100
026.160.01	Plug to fit A-dec® 500 & 300 Control Block; Pkg of 5	9237
026.161.00	1/8 Q.D. Barb to fit A-dec® 500 & 300 Control Block, Vinyl Tubing	9337
026.174.01	1/8 Q.D. Barb to fit A-dec® 500 & 300 Control Block; Pkg of 5	9334

A-DEC® PN	DESCRIPTION	DCI PN
026.175.01	3/16 Q.D. Barb to fit A-dec® 500 & 300 Control Block; Pkg of 5	9335
028.008.00	Plug, Solids Collector, Red, 1/2" O.D. x 1/4" I.D.; Pkg of 10	9177
030.001.02	O-Ring, Buna-n, .029 I.D. x .040 Width, -001; Pkg of 12	2225
030.002.02	O-Ring, Buna-n, .042 x .050 Width, -002; Pkg of 12	2230
030.003.02	O-Ring, Buna-n, .056 I.D. x .060 Width, -003; Pkg of 12	2201
030.004.02	O-Ring, Buna-n, .070 I.D. x .070 Width, -004; Pkg of 12	2229
030.005.02	O-Ring, Buna-n, .101 x .070 Width, -005; Pkg of 12	2231
030.006.02	O-Ring, Buna-n, .114 I.D. x .070 Width, -006; Pkg of 12	2203
030.007.00	O-Ring, Buna-n, .145 I.D. x .070 Width, -007; Pkg of 12	2232
030.008.00	O-Ring, Buna-n, .176 I.D. x .070 Width, -008; Pkg of 12	2205
030.009.01	O-Ring, Buna-n, .208 I.D. x .070 Width, -009; Pkg of 12	2233
030.010.00	O-Ring, Buna-n, .239 I.D. x .070 Width, -010; Pkg of 12	2214
030.011.02	O-Ring, Buna-n, .301 I.D. x .070 Width, -011; Pkg of 12	2234
030.012.02	O-Ring, Buna-n, .364 I.D. x .070 Width, -012; Pkg of 12	2210
030.013.02	O-Ring, Buna-n, .426 I.D. x .070 Width, -013; Pkg of 12	2207
030.014.02	O-Ring, Buna-n, .489 I.D. x .070 Width, Pkg of 12	2312
030.015.02	O-Ring, Buna-n, .551 x .070 Width, -015; Pkg of 12	2235
030.016.00	O-Ring, Buna-n, .614 I.D. x .070 Width, -016; Pkg of 12	2236
030.017.00	O-Ring, Buna-n, .676 I.D. x .070 Width, -017; Pkg of 12	2237
030.018.00	O-Ring, Buna-n, .739 I.D. x .070 Width, -018; Pkg of 12	2215
030.019.03	O-Ring, Buna-n, .801 I.D. x .070 Width, -019; Pkg of 12	2238
030.020.00	O-Ring, Buna-n, .864 I.D. x .070 Width, -020; Pkg of 12	2223
030.021.02	O-Ring, Buna-n, .926 I.D. x .070 Width; Pkg of 12	2270
030.023.02	O-Ring, Buna-n, 1.051 I.D. x .070 Width, -023; Pkg of 12	2239
030.026.01	O-Ring, Buna-n, 1.239 I.D. x .070 Width, Pkg of 12	2310
030.034.02	O-Ring, Buna-n, 2.114 I.D. x .070 Width, -034; Pkg of 12	2240
030.110.00	O-Ring, Buna-n, .362 I.D. x .103 Width, -110; Pkg of 12	2241

A-dec®, Cascade®, Century Plus®, Century®, Continental®, Decade®, Performer®, Preference®, Preference Collection®, Radius®, A-dec 500® and A-dec 300® are registered trademarks of A-dec®, Inc. DCI has no affiliation with A-dec and A-dec has not authorized DCI replacement parts to be used on or in connection with A-dec® products.

A-DEC® PN	DESCRIPTION	DCI PN
033.003.01	O-Ring, Viton, .056 I.D. x .060 Width; Pkg of 12	2305
033.014.00	O-Ring, Viton, .489 I.D. x .070 Width, -014; Pkg of 12	2243
034.002.01	O-Ring, Viton, .042 I.D. x .050 Width, -002; Pkg of 12	2261
034.012.01	O-Ring, Viton, .364 I.D. x .070 Width, -012; Pkg of 12	2257
034.013.01	O-Ring, Viton, .426 I.D. x .070 Width, -013; Pkg of 12	2254
034.014.01	O-Ring, Ethylene Propylene, .489 I.D. x .070, -014; Pkg of 12	2228
034.107.01	O-Ring, Ethylene Propylene, .206 I.D. x .103 Width; Pkg of 12	2298
035.003.01	O-Ring, Buna-n, .029 I.D. x .040 Width; Pkg of 12	2245
035.004.01	O-Ring, Buna-n, .240 I.D. x .033 Width; Pkg of 12	2244
035.025.01	O-Ring, Buna-n, .070 I.D. x .040 Width; Pkg of 12	2211
035.048.01	O-Ring, Viton, .114 I.D. x .070 Width, -006; Pkg of 12	2242
035.050.01	O-Ring, Viton, .070 I.D. x .040 Width; Pkg of 12	2263
036.003.00	Supply Tubing, 1/8", Poly Yellow	1208
036.003.01	Supply Tubing, 1/8", Poly Yellow; Roll of 100 ft.	1208R
036.004.00	Supply Tubing, 1/8", Poly Blue	1202
036.004.01	Supply Tubing, 1/8", Poly Blue; Roll of 100 ft.	1202R
036.005.00	Supply Tubing, 1/8", Poly Red	1207
036.005.01	Supply Tubing, 1/8", Poly Red; Roll of 100 ft.	1207R
036.011.00	Tubing 1/8 Poly Purple 100' RL	1211
036.011.01	Tubing 1/8 Poly Purple 100' RL	1211R
036.019.00	Supply Tubing, 1/8", Poly White	1209
036.019.01	Tubing 1/8 Poly White 100' RL	1209R
036.020.00	Supply Tubing, 1/8", Poly Black	1201
036.020.01	Supply Tubing, 1/8", Poly Black; Roll of 100 ft.	1201R
036.026.00	Supply Tubing, 1/8", Poly Gray	1205
036.026.01	Supply Tubing, 1/8", Poly Gray; Roll of 100 ft.	1205R
036.031.00	Supply Tubing, 3/8", Poly Yellow	1608
036.031.01	Supply Tubing, 3/8", Poly Yellow; Roll of 100 ft.	1608R
036.033.02	Supply Tubing, 3/8", Poly Blue	1602
036.034.00	Supply Tubing, 3/8", Poly Gray	1605
036.034.01	Supply Tubing, 3/8", Poly Gray; Roll of 100 ft.	1605R
036.043.00	Supply Tubing, 1/4", Poly Dark Surf	1418

A-DEC® PN	DESCRIPTION	DCI PN
036.043.01	Supply Tubing, 1/4", Poly Dark Surf; Roll of 100 ft.	1418R
036.052.00	Supply Tubing, 1/4", Poly Orange	1406
036.053.00	Supply Tubing, 1/4", Poly Blue	1402
036.053.01	Supply Tubing, 1/4", Poly Blue; Roll of 100 ft.	1402R
036.066.00	Supply Tubing, 1/4", Poly Clear	1403
036.103.03	Supply Tubing, 1/4", Poly Yellow	1408
036.114.01	Supply Tubing, 5/16", Poly Yellow	1708
036.115.01	Supply Tubing, 5/16", Poly Orange	1706
036.116.01	Supply Tubing, 5/16", Poly Blue	1702
041.059.00	Multi-Function Foot Switch Push-Button Switch	9260
041.119.00	Multi Function Foot Switch Rocker Switch	2810
041.264.00	Starter, Fluorescent Light	9375
041.265.00	Ballast, 120V, Task Light, Fluorescent	9376
041.317.00	Bulb to fit A-dec® Power Optic HP Tubing, 3.5V 750MA	9363
041.372.00	Potentiometer	9258
041.513.00	Light Bulb, 12 VAC 55 Watt	8688
041.709.00	Bulb to fit A-dec® Light, 6300, 17 VAC 95 Watt	9364
042.583.00	CPU Vent	6819
042.584.00	Delta Soap Dispenser, Chrome	9302
042.586.00	Soap Dispenser Bottle Replacement	9310
043.001.00	Tray, Stainless Steel, 9-3/4" x 13-1/2"	8013
044.158.00	Air Electric Switch, 10 PSI, Normally Open	7084
044.159.00	Air Electric Switch, 10 PSI, Normally Closed	7089
044.181.00	Air Electric Switch, 25 PSI, Normally Open	7080
044.183.00	Chair Limit Switch to fit A-dec®, Stop Function	9244
044.184.00	Chair Limit Switch	2794
044.184.01	Chair Limit Switch to fit A-dec®, Base or Back Function	9240
046.123.00	Circuit Breaker to fit A-dec®, Cascade 6300, 10 Amp	2888
049.004.01	Valve Cleaning HVE Brush; Pkg of 5	5620
049.005.01	Valve Cleaning Surgical Suction Tip Brush, Pkg of 5	5622
060.002.00	Loctite, Threadlock 242, .34 oz	8021
10.0010.02	High Volume Suction Aspirator Tip	5355
10.0440.00	Foot Control Spring, .093 O.D.; Pkg of 10	9029

A-dec®, Cascade®, Century Plus®, Century®, Continental®, Decade®, Performer®, Preference®, Preference Collection®, Radius®, A-dec 500® and A-dec 300® are registered trademarks of A-dec®, Inc. DCI has no affiliation with A-dec and A-dec has not authorized DCI replacement parts to be used on or in connection with A-dec® products.



A-DEC® PN	DESCRIPTION	DCI PN
10.0600.00	Stem w/ O-Ring (Button) AVS Locking to fit A-dec®	9174
11.0440.00	Dry Oral Cup	5840
11.0490.00	Dry Oral Cup Liners; Pkg of 1000	5845
11.1075.00	Replacement A-dec® Autoclavable Short Vacuum Valve w/ Quick Disconnect	5060
11.1105.00	Air Saliva Ejector Kit	5255
11.1177.00	Replacement A-dec® Autoclavable Extended Vacuum Valve w/ Quick Disconnect	5061
11.1191.00	Solids Collector Disposable Screen to fit A-dec® Cascade; Pkg of 144	6818
11.1284.01	Solids Collector Disposable Screen to fit A-dec® 500/300; Pkg of 144	5512
12.0183.00	Saliva Ejector Tip Push-on Autoclavable, Black	5750
12.0183.01	Saliva Ejector Tip Push-on Autoclavable, Gray	5754
12.0195.00	Saliva Ejector Tip Screw-on Autoclavable, Black	5740
12.0500.00	Water Saliva Ejector Kit	5256
12.0953.00	Air Pilot Valve, 2-Way, Normally Open	7071
12.1100.00	Replacement A-dec® Autoclavable Saliva Ejector w/ Quick Disconnect	5062
13.0375.00	Male Q.D. to fit A-dec®, Self Contained Water	9298
13.0381.00	Male Adjustable Q.D. to fit A-dec®, City Water	9299
13.0384.00	Male Q.D. to fit A-dec®, Air	24660
14.0010.00	AVS 1 Quart Bottle	5582
14.0416.00	750 ml Plastic Bottle w/ Cap & Pick-Up Tube	8128
16.0562.00	Storage Tub, Includes Hinge, Dividers, & Lid	8410
16.0566.00	Storage Tub Lid	8414
16.0568.00	Storage Tub Hinge	8413
19.0100.00	In-Line Filter, 10-32 Port	7251
19.0220.01	Filter Disc, Bronze, 5/8 O.D. x 1/16; Pkg of 5	9039
19.0230.00	Spring, Compression, .560 O.D. x .65; Pkg of 10	9127
22.0040.00	Spring Compression .30" O.D. Pkg of 10	9030
22.0060.00	Foot Control Poppet, Plastic; Pkg of 10	9010
22.0083.00	Piston Assy to fit A-dec® Foot Control	9160
22.0110.00	Foot Control Cover	6070
22.0135.00	Compression Spring; Pkg of 10	9123
22.0440.02	Diaphragm, 1"; Pkg of 10	9002
22.0460.00	Spring, Conical .255/.295 O.D.; Pkg of 10	9098

A-DEC® PN	DESCRIPTION	DCI PN
22.0462.00	Toggle Only, Detented, Black	7058
22.0462.01	Toggle Only, Detented, Gray	7064
22.0580.00	Compression Spring; Pkg of 10	9066
22.0774.01	Diaphragm to fit A-dec® Century Pac; Pkg of 10	9003
22.0776.00	Water Coolant Valve Stem to fit A-dec® Auto-Pac & Auto Block; Pkg of 3	9165
22.0778.00	Foot Control Relay Valve Stem w/ O-Rings	6098
22.0780.00	Syringe Tubing, 2-Hole, Straight Black	221
22.0999.00	Air Coolant Valve Stem, to fit A-dec® Auto-Pac & Auto Block	9164
23.0020.02	Syringe Button, Valve Core	3080
23.0039.00	Syringe Lever, Left, Plastic	2035
23.0041.00	Syringe Lever, Right, Plastic	2034
23.0048.00	Syringe Button, Lever Syringe	3070
23.0173.00	Double Flow Restrictor	9317
23.0196.01	Gasket to fit A-dec® Recirculator; Pkg of 5	9322
23.0198.01	Diaphragm to fit A-dec® Recirculator; Pkg of 5	9321
23.0230.00	Syringe Tubing, 2-Hole, Asepsis Coiled Black	231C
23.0230.01	Syringe Tubing, 2-Hole, Asepsis Coiled Gray	232C
23.0790.00	Syringe Tubing, 3-Hole, Coiled Black	331C
23.0790.01	Syringe Tubing, 3-Hole, Coiled Gray	332C
23.0872.00	Syringe Tip, Autoclavable, to fit A-dec® Syringes	3054
23.0872.01	Syringe Tip, Autoclavable, to fit A-dec® Syringes; Pkg of 5	3055
23.0872.02	Syringe Tip, Autoclavable, to fit A-dec® Syringes; Pkg of 50	3056
23.0886.00	Collet Cone, Brass; Pkg of 5	2041
23.0887.00	Collet Cone, Plastic	2040
23.1090.00	Syringe Tip Kit	3030
23.1093.00	Lever Syringe Repair Kit	9326
23.1193.00	Retaining Screw to fit A-dec® Syringes; Pkg of 5	9150
23.1232.01	Syringe Button Assy to fit A-dec® Syringes	9186
24.0100.03	Air On/Off Indicator, Red	7280
24.0128.01	Air Valve Repair Kit, White Body	9105
24.0129.00	Water Valve Repair Kit, Black Body	9093
24.0132.00	Piston w/O-Ring	9106
24.0135.00	Air Valve, Housing, White Body	9097

A-dec®, Cascade®, Century Plus®, Century®, Continental®, Decade®, Performer®, Preference®, Preference Collection®, Radius®, A-dec 500® and A-dec 300® are registered trademarks of A-dec®, Inc. DCI has no affiliation with A-dec and A-dec has not authorized DCI replacement parts to be used on or in connection with A-dec® products.

A-DEC® PN	DESCRIPTION	DCI PN
24.0136.01	5-Hole Gasket; Pkg of 10	9005
24.0137.01	9-Hole Gasket; Pkg of 10	9004
24.0170.01	Single Shut Off Valve Assembly & Filter, Air	9187
24.0175.01	Single Shut Off Valve Assembly & Filter, Water	9188
24.0182.02	Mini Regulator, 10-32 Input, Self-Relieving	7205
24.0229.00	Housing, Filter, Air/Water	9108
24.0234.00	Filter Element, 40 Micron	7247
24.0234.01	Filter Element, 40 Micron; Pkg of 6	7248
24.0251.01	Mini Regulator, 10-32 Input, Non-Relieving	7203
24.0355.00	Water Valve, Housing, Black Body	9094
28.0503.01	Light Shield to fit A-dec® 6300	9390
28.0566.00	Locking Tab to fit A-dec® Pivot Arm	9184
28.0758.00	Circuit Breaker 10 Amp	9304
28.1012.00	Light Shield Bracket Assy to fit A-dec® Cascade; Pkg of 2	8619
28.1584.00	Replacement A-dec® 6300 Track Flexarm Cable Assy for Lights after April 1, 2004	9578
28.1585.00	Replacement A-dec® 6300 Wall & Preference Mount Cable Assy for Lights after April 1, 2004	9577
28.1586.00	Replacement A-dec® 6300 Post Mount Cable Assy for Lights after April 1, 2004	9579
28.1587.00	Replacement A-dec® 6300 Ceiling Mount Cable Assy for Lights after April 1, 2004	9575
28.1604.00	Replacement A-dec® 6300 Track & Trolley Cable Assy for Lights after April 1, 2004	9580
28.2838.00	Light Cable Assy, to fit A-dec 571, 216"	9576
29.0050.01	Gasket, Clear to fit A-dec® Century Pac Auto Block; Pkg of 10	9009
29.0100.00	Drive Air Adjustment Screw to fit A-dec®; Pkg of 3	9023
29.0810.00	Micro Valve Stem w/ O-Rings, 2-Way to fit A-dec®	9013
29.0820.00	Micro Valve Stem w/ O-Rings, 3-Way to fit A-dec®	9014
29.0830.00	Stem w/ O-Rings 2-Way	9015
29.0831.00	Valve Stem, to fit A-dec® Century II Block, w/o Water Retraction	9050
29.0835.00	Valve Stem, to fit A-dec® Century II Block, w/ Water Retraction	9048
29.0840.00	Valve Stem w/O-Rings, to fit A-dec® Century II Toggle Cartridge, 3-Way	9016
29.0972.00	Valve Stem, to fit A-dec® Auto-Pac & Auto Block, Water Valve; Pkg of 3	9109
30.0731.00	Stem Shut Off Valve w/ O-Rings to fit A-dec®	9163
33.0008.01	Cup Filler Valve, Momentary, 2-Way, Black	7167

A-DEC® PN	DESCRIPTION	DCI PN
33.0009.00	Toggle Valve, Side Ported, 2-Way, Black	7040
33.0025.00	Air Bleed Valve, to fit A-dec® Excellence & IC Holders	9152
33.0025.01	Air Bleed Valve, to fit A-dec® Cascade Continental	9153
33.0034.01	Toggle Valve, Momentary, 2-Way, Normally Closed, Gray	7021
33.0036.00	Toggle Only, Momentary, Black	7028
33.0036.01	Toggle Only, Momentary, Gray	7065
33.0048.03	Toggle Valve, Side Port, 3-Way, Black	7155
33.0048.04	Toggle Valve, Side Port, 3-Way, Gray	7156
33.0080.00	Rear Ported Valve, 3-Way, Black	7160
33.0080.01	Rear Ported Valve, 3-Way, Gray	7161
33.0096.00	Rear Ported Valve, 2-Way, Black	7163
33.0103.00	Water Coolant Valve Stem to fit A-dec® Century II	9019
33.0104.03	Toggle Routing Valve, Side Ported, Black	7150
33.0104.04	Toggle Routing Valve, Side Ported, Gray	7151
33.0106.00	Stem w/ O-Rings Micro Selector	9018
33.0117.00	Air Coolant Valve Stem to fit A-dec® Century II	9180
33.0132.00	Air bleed Valve to fit A-dec® Unitized Holder, 90 Degree Barb	9151
33.0134.00	Foot Control Micro Valve Assy, 2-Way	6003
33.0138.00	Holder Valve, Auto HP, Normally Closed, Side Port	5948
34.0003.00	Poppet to fit A-dec® Vacuum Drain Actuator	9159
34.0043.00	Relay Valve, Tooth Dryer	9243
35.0574.01	Gasket to fit A-dec® Century II Supply Manifold; Pkg of 10	9008
35.0824.02	Chair Adapter to fit A-dec® Priority	8515
35.1742.00	Chair Adapter to fit A-dec® Cascade	8522
38.0054.02	Foot Control Diaphragm, 3/4"; Pkg of 10	9012
38.0074.01	Foot Control Toggle, Gray	6049
38.0075.00	Toggle F.C. Black	6100
38.0075.03	Foot Control Toggle Kit, Dark Surf	6113
38.0075.04	Foot Control Toggle Kit, Gray	9329
38.0087.00	Micro Valve Stem w/ O-Rings to fit A-dec®, 2-Way, Balanced	9017
38.0102.00	Needle Valve Stem to fit A-dec®, Fine Control, w/ O-Ring	9067
38.0104.00	Piston, to fit A-dec® Century Water Valve, w/ O-Ring	9069

A-dec®, Cascade®, Century Plus®, Century®, Continental®, Decade®, Performer®, Preference®, Preference Collection®, Radius®, A-dec 500® and A-dec 300® are registered trademarks of A-dec®, Inc. DCI has no affiliation with A-dec and A-dec has not authorized DCI replacement parts to be used on or in connection with A-dec® products.



Easy Online Ordering

A-DEC® PN	DESCRIPTION	DCI PN
38.0106.00	End Cap, to fit A-dec® Century Water Valve, w/ O-Ring	9068
38.0118.01	Gasket, to fit A-dec® Century Pac, 2.36 x .285; Pkg of 10	9047
38.0120.01	Diaphragm to fit A-dec® Century Pac, 1.240 x 2.375 x .013; Pkg of 10	9006
38.0178.00	Control Block Cover w/ Screws Only to fit A-dec® Century II	9328
38.0179.02	Diaphragm, to fit A-dec® Century II, Front Cap, 3/4 x 1"; Pkg of 10	9046
38.0186.02	Gasket to fit A-dec® Century II Control Block; Pkg of 10	9007
38.0193.01	Tie Bolt Kit, to fit A-dec® Century II, 3 block	9149
38.0194.01	Tie Bolt Kit, to fit A-dec® Century II, 4 block	9117
38.0208.00	Spring, Extension	9121
38.0211.00	Valve Stem Assy to fit A-dec® Foot Control	9166
38.0213.00	Foot Control Spool	6022
38.0223.02	Control Block to fit A-dec® Century II	9146
38.0237.00	Foot Control Retaining Ring, Dark Surf	6107
38.0246.00	Foot Control Stem Assy	6096
38.0319.00	Foot Control Shroud, No Holes, Gray	6047
38.0319.02	Foot Control Shroud, No Holes, Dark Surf	6102
38.0320.00	Foot Control Shroud, 1-Hole for Button, Gray	6057
38.0320.02	Foot Control Shroud, 1-Hole for Toggle, Dark Surf	6103
38.0321.00	Foot Control Shroud, 2-Hole, Gray	6053
38.0321.02	Foot Control Shroud, 2-Hole, Dark Surf	6104
38.0450.00	Foot Control, Standard w/ Signal Relay, Gray Tubing	6400
38.0451.00	Foot Control, Chip Blower w/ Signal Relay, Gray Tubing	6405
38.0452.00	Foot Control, Wet/Dry w/ Signal Relay, Gray Tubing	6410
38.0453.00	Foot Control, Scaler w/ Signal Relay, Gray Tubing	6420
38.0454.00	Foot Control, Wet/Dry & Chip Blower w/ Signal Relay, Gray Tubing	6415
38.0504.07	Tie Bolt Kit, to fit A-dec® Century Plus, 3 block	9114
38.0504.08	Tie Bolt Kit, to fit A-dec® Century Plus, 4 block	9116
38.0504.09	Tie Bolt Kit, to fit A-dec® Century Plus, 5 block	9115
38.0507.01	Gasket, Clear, to fit A-dec® Century Plus Control Block; Pkg of 10	9158
38.0510.00	Drive Air Stem to fit A-dec® Century Plus Control Block	9311
38.0516.00	Stem Flow w/ O-Ring Assy	9257

A-DEC® PN	DESCRIPTION	DCI PN
38.0517.00	Air Bleed Cartridge to fit A-dec® Century Plus; Pkg of 3	9167
38.0518.00	Flush Check Valve Cartridge to fit A-dec® Century Plus Control Block; Pkg of 3	9168
38.0519.01	Diaphragm to fit A-dec® Century Plus Control Block; Pkg of 10	9161
38.0520.00	Coolant Water Cartridge to fit A-dec® Century Plus Control Block; Pkg of 3	9169
38.0526.00	Air Coolant Stem w/ O-Ring to fit A-dec® 500	9313
38.0537.01	Service Kit to fit A-dec® Century Plus Control Block	9154
38.0550.01	Gasket, Red, to fit A-dec® Century Plus Control Block; Pkg of 5	9157
38.0604.00	Foot Control Toggle Assy, 3-Way, Dark Surf	6110
38.0610.00	Foot Control Button Assy for Chip Blower, 2-Way, Dark Surf	6111
38.0612.00	Foot Control Button Assy for Scaler, 3-Way, Dark Surf	6112
38.0648.00	Dry Block Kit to fit A-dec® Century Plus	9315
38.0711.01	Diaphragm to fit A-dec® Performer Control Block, Pkg of 5	9319
38.0763.00	Foot Control Shroud, 1-Hole for Button, Dark Surf	6106
38.1601.00	Foot Control, Wet/Dry & Scaler, Dark Surf	6306
38.1799.01	Cartridge Retaining Ring to fit A-dec® 500; Pkg of 5	9305
38.1780.00	Water Cartridge to fit A-dec® 500 Block Water Cartridge	9307
38.1783.00	Dry Cartridge to fit A-dec® 500 Block	9306
38.1785.01	Drive Air Stem to fit A-dec® 300/500 Control Block	9323
38.1787.01	Diaphragm to fit A-dec® 500 Control Block; Pkg of 5	9309
38.1808.01	Adjustment Key to fit A-dec® 500; Pkg of 4	9314
38.1832.00	Foot Control Toggle Assy, Gray	6132
38.1833.01	Diaphragm to fit A-dec® 300 Control Block; Pkg of 5	9308
39.0790.00	Non-Slip Pad, 6" x 11.5"	8222
40.0270.00	Syringe Water Heater, Air Actuated On/Off, 110/120 VAC	3211
40.0281.00	Flow Restrictor	7022
40.0756.01	Diaphragm to fit A-dec® Vacuum Drain; Pkg of 5	9318
40.0772.00	Stem to fit A-dec® Vacuum Valve w/ O-Ring	9162
40.0849.00	Cuspidor Bowl	5311
42.0085.00	Cuspidor Screen	5312
42.0537.03	Toggle Valve, Momentary, Rear Ported, 2-Way, Black	7168

A-dec®, Cascade®, Century Plus®, Century®, Continental®, Decade®, Performer®, Preference®, Preference Collection®, Radius®, A-dec 500® and A-dec 300® are registered trademarks of A-dec®, Inc. DCI has no affiliation with A-dec and A-dec has not authorized DCI replacement parts to be used on or in connection with A-dec® products.

A-DEC® PN	DESCRIPTION	DCI PN
42.0683.03	Toggle Valve, Momentary, Rear Ported, 2-Way, Gray	7169
42.0701.00	Valve Mounting Bracket, Double	7079
50.0056.00	Rubber Gasket 4-Hole Terminal	0123
50.0116.00	Gasket 3-Hole Terminal Rubber	0122
50.0271.00	Handpiece Pressure Tester w/ 0-60 PSI Gauge	7263
54.0014.00	Gasket to fit A-dec®/W&H Lisa Sterilizer	2186
54.0049.00	Water Pump to fit A-dec®/W&H Lisa Sterilizer	9303
54.0051.00	Vacuum Pump Service Kit to fit A-dec®/W&H Lisa Sterilizer (HX10P3)	9420
54.0066.01	Inline Water Filter to fit A-dec®/W&H Lisa Sterilizer	9422
54.0067.00	Air Intake Filter to fit A-dec®/W&H Sterilizer	2812
55.1934.00	Drawer Push Latch w/ Screws	6807
56.0339.00	Bracket 2 Position Assy 1/4 x 3/8	7113
61.0197.00	Hydraulic Oil	2691
61.1679.00	Toe Board Cover to fit A-dec® Model 1040	2806
61.2065.00	Chair Limit Switch, Back Function, to fit A-dec® Cascade 1040	9242
61.3048.00	Replacement Membrane to fit A-dec® Chair Foot Control	2943
65.0208.00	Assistant Stool Cylinder, 45mm Dia.	2962
65.0209.00	Assistant Stool Cylinder, 45mm Dia. to fit A-dec®	2963
65.0227.00	Doctor Stool Cylinder, 45mm Dia.	2964
65.1625.03	Caster, Soft Wheel for Hard Floors, Surf	2948
65.1625.04	Caster, Soft Wheel For Hard Floors, Gray	2946
75.0035.01	Cuspidor Screen 2 1/2", Gray; Pkg of 144	5313
75.0911.01	Diaphragm to fit A-dec® Air Switch Century Plus; Pkg of 5	9320
82.0305.02	Toggle Routing Valve, 2-Way, Gray	7001
90.0003.00	3/8" Compression Tube x 10-32 Female	7112
90.0010.00	Repair Kit to fit A-dec® Foot Control I	9141
90.0012.00	Service Kit to fit A-dec® Auto-Pac & Auto Block Air Valve	9142
90.0014.00	Service Kit to fit A-dec® Auto-Pac & Auto Block Water Valve	9143
90.0030.00	Service Kit to fit A-dec® Air Filter Regulator	9139
90.0040.00	Service Kit to fit A-dec® Air & Water Regulator	9145
90.0070.00	Service Kit to fit A-dec® Water Filter Regulator	9138
90.0090.00	Shut Off Valve Service Kit	9140

A-DEC® PN	DESCRIPTION	DCI PN
90.0304.00	Front Cap Kit to fit A-dec® Century II Control Block	9147
90.0312.00	Repair Kit to fit A-dec® Foot Control II	9049
90.0313.00	Repair Kit to fit A-dec® Foot Control, Lever Style	9144
90.0319.00	Repair Kit to fit A-dec® Vacuum Drain Actuator	9137
90.0321.00	Rebuild Kit to fit A-dec® Century II Block, w/o Water Retraction	9052
90.0370.00	Q.D. Kit to fit A-dec®, Bottled Water	9293
90.0460.03	750ml Water Bottle Kit	9327
90.0463.01	Lamp Socket to fit A-dec® 6300	2887
90.0593.00	Service Kit to fit A-dec® Foot Control III	9082
90.1031.00	Capacitor to fit A-dec® Chairs	9245
90.1039.00	Power Switch, 125 Vac 15 Amp	8114
90.1043.00	Intensity Switch to fit A-dec® 6300, High / Med / Low	2885
90.1043.00	Switch 3 Position Replaced by 2885	9183
90.1053.00	Replacement A-dec® Cascade 6300 Cable Kit for Lights Prior to April 1, 2004	9583
90.1054.00	Replacement A-dec® Performer & Pre-Cascade 6300 Cable Kit from Light Through Flexarm to Postbox	9581
90.1314.00	Replacement Upgrade Toggle Kit A-dec® 371 Light Cable Assy	9582
97.0200.00	Air Filter Regulator Diaphragm Replacement Kit	7217
97.0280.02	Wilkerson Filter Element & O-Ring	7226
98.0010.00	Tool to fit A-dec® Syringes	9286
98.0072.00	Sleeve Tool, Plastic, 1/8" & 1/4"	8060
98.0090.01	Lubricant, Silicone, .04 oz; Pkg of 5	8034
98.0180.00	3-Hole HP Metal Nut	121N
98.0190.00	4-Hole HP Nut Auto Tapered	120N
98.0261.01	ISO 5-Hole Power Optic HP Tubing, Coiled, Dark Surf	8760
98.0262.02	ISO 5-Hole Power Optic HP Tubing, 7', Dark Surf	8953
98.0262.14	ISO 5-Hole Power Optic HP Tubing, 12', Dark Surf	8955
98.0305.00	HP Tubing, 3-Hole w/ CT, Asepsis Coiled, Black	321CT
98.0305.01	HP Tubing, 3-Hole w/ CT, Asepsis Coiled, Gray	322CT
98.0310.00	3-Hole Terminal Metal Connector Only	0121
98.0445.00	HP Tubing, 4-Hole w/ CT, Asepsis Coiled, Black	431CT
98.0445.01	HP Tubing, 4-Hole w/ CT, Asepsis Coiled, Gray	432CT
98.0450.00	4-Hole Terminal	0120

A-dec®, Cascade®, Century Plus®, Century®, Continental®, Decade®, Performer®, Preference®, Preference Collection®, Radius®, A-dec 500® and A-dec 300® are registered trademarks of A-dec®, Inc. DCI has no affiliation with A-dec and A-dec has not authorized DCI replacement parts to be used on or in connection with A-dec® products.



A-DEC® PN	DESCRIPTION	DCI PN
98.0510.00	HP Tubing, 3-Hole w/ CT, Asepsis Straight, Black	321T
98.0536.00	HP Tubing, 4-Hole w/ CT, Asepsis Straight, Black	431T
98.0660.00	Tubing HP Exhaust Muffler	0949
98.0867.02	Control Adjustment Key to fit A-dec® Cascade / Decade 4400; Pkg of 5	9324
98.0879.00	HP Tubing, 4-Hole w/ CT, Asepsis Straight Dark Surf	435T
98.0885.00	ISO-C 6-Pin Power Optic HP Tubing, 7', Dark Surf	8990
98.1093.00	HP Tubing, 3-Hole w/ CT, Asepsis Straight, Gray	322T
98.1094.00	HP Tubing, 4-Hole w/ CT, Asepsis Straight, Gray	432T
98.1095.00	ISO 5-Hole Power Optic HP Tubing, 7', Gray	8933
98.1096.00	ISO-C 6-Pin Power Optic HP Tubing, 7', Gray	8996
98.1111.00	ISO 5-Hole Power Optic HP Tubing, 12', Gray	8977
98.1112.00	ISO-C 6-Pin Power Optic HP Tubing, 12', Gray	8998
98.1113.00	HP Tubing, 4-Hole w/ CT, 12', Asepsis Straight, Gray	445T
99.0528.00	Holder Assy, Standard, Black	5945
99.0528.01	Holder Assy, Standard, Gray	5965
99.0537.00	Holder, Auto HP, w/ Lockout Toggle, Black	5940
99.0537.01	Holder, Auto HP, w/ Lockout Toggle, Gray	5960
99.0541.00	Holder Replacement, Auto HP, Black	5941
99.0541.01	Holder Replacement, Auto HP, Gray	5961
99.0547.00	Holder, Electric Auto, Normally Open, Black	5966
99.0547.01	Holder, Electric Auto, Normally Open, Gray	5967
99.0550.00	Holder Replacement, Standard, Black	5942
99.0550.01	Holder Replacement, Standard, Gray	5962
1.02675200	In-line Filter to fit A-dec®/W&H Assistina, 1/4"	2814

**Pelton & Crane® Products**

P&C® PN	DESCRIPTION	DCI PN
2218	O-Ring 55-85 Buna-n Bulk Y	11749
2252	O-Ring, Viton, .053 I.D. x .064 Width; Pkg of 12	2252
3025	Block Syringe Assy	3025
3085	Syringe Button w/ Spring, Quick Clean	3085
4007	Union Tee 5/16 Comp	0136
4014	Pelton & Crane Door Seal, OCM, 8"	2100
4146	Relief Valve, Midmark / Ritter M9 & M11, Pelton & Crane® OCM & OCR	2816
4341	Pelton & Crane® Door Seal, OCR, 10"	2101
4430	HP Tri-Block Diaphragm	4430
4433	HP Quad-Block Diaphragm	4433
4924	Pelton & Crane® Head Gasket; Pkg of 3	2671
4925	Pelton & Crane® Valve Plate Gasket; Pkg of 3	2672
4930	Pelton & Crane® Motor End Gasket; Pkg of 3	2674
5070	Pelton & Crane® Motor Isolator Spring; Pkg of 12	2673
5088	Standard Autoclavable Saliva Ejectors, w/ Quick Disconnect & Threaded Tip	5088
5159	1/4" MPT x FPT Street Elbow	0840
5171	Economy Autoclavable Extended, Vacuum Valve Lever	5171
5174	Swivel Q.D. HVE w/ O-Ring, P&C	5174
5670	Economy Autoclavable Saliva Ejector Lever	5670
5810	Vacuum Canister Kit Black	5810
5866	Vacuum Canister Cap w/ O-Ring, Bracket Mounted, Gray	5866
5888	Vacuum Canister Cap w/ O-Ring, Bottom & Side Mounted, Gray	5888
5998	Stem w/ O-Rings for Auto HP Holder Valve, Normally Open	5998
6132	Foot Control Toggle Assy, Gray	6132
6702	Pelton & Crane® Knuckle Washer, LF II; Pkg of 12	8698
6777	Pelton & Crane® Light Shield, LF I	8600
7054	Side Port Needle Valve	7054
7084	Air Electric Switch, 10 PSI, Normally Open	7084
7096	Power Switch, 125 Vac 15 Amp	8114
7132	Pelton & Crane® Water Relay w/ Flow Control	7139

A-dec®, Cascade®, Century Plus®, Century®, Continental®, Decade®, Performer®, Preference®, Preference Collection®, Radius®, A-dec 500® and A-dec 300® are registered trademarks of A-dec®, Inc. DCI has no affiliation with A-dec and A-dec has not authorized DCI replacement parts to be used on or in connection with A-dec® products.



P&C® PN	DESCRIPTION	DCI PN	P&C® PN	DESCRIPTION	DCI PN
7427	Pelton & Crane® Chairman Chair Switch, Black Toggle	9248	12208	Valve Cleaning HVE Brush	5620-1
7428	Pelton & Crane® Chairman Chair Switch, White Toggle	9247	12209	Valve Cleaning SE Brush; Pkg of 5	5621
7898	Pelton & Crane® Chairman Chair Switch, Auto Position, Red Push Button	9249	12209	Valve Cleaning SE Brush	5621-1
7899	Pelton & Crane® Chairman Chair Switch, Auto Return, Black Push Button	9254	12354	Actuator Lever for 5960, Gray	5972
11032	1/4" Poly Q.D. Panel Mount w/ Shut-off, Female	0011	12490	Toggle Valve, Momentary, 3-Way, Normally Closed, Black	7025
11064	10-32 Coupler, Male; Pkg of 5	0062	12490	Valve Momentary 3-Way N.C.	7025-1
11064	10-32 Coupler, Male	0062-1	12517	Needle Valve w/ Knob, Gray	7052
11069	10-32 Cross Connector, Female	0064	12527	Water Relay, Retracting	7350
11069	10-32 Cross Connector, Female	0064-1	12624	Rectangular Air Gauge	7270
11070	10-32 Tee Connector, Female	0065	12638	Cart Frame, Small U-Frame	8006
11092	1/8" Barb x 10-32 Female x 1/8" Barb Tee; Pkg of 5	0076	12643	Tray, Stainless Steel, 9-3/4" x 13-1/2"	8013
11092	1/8" Barb x 10-32 Female x 1/8" Barb Tee	0076-1	12736	Block Pin Mount-Anodize / Grn	12736
11094	1/16" In-line Barb	0077-1	12822	Storage Tub, Includes Hinge, Dividers, & Lid	8410
11097	1/8" In-line Barb; Pkg of 10	0078	12830	Bar Holder Tub	8399
11097	1/8" In-line Barb	0078-1	12923	Bushing .50 I.D. .625 O.D. 1" LG Brz	8284
11100	1/16" x 1/8" In-line Barb; Pkg of 10	0079	12929	Pin Spring 3/16 O.D. x 1/2 LG SS Y	12929
11100	1/16" x 1/8" In-line Barb	0079-1	12953	Nut Hex 6-32 SST	9714
11155	4-Hole Terminal	0120	13006	Washer .510 x .990 x .031THK White Delrin	13006
11217	Barb Press In 3/16"	0985	13007	Washer .201 x .46 x .062 Nylatron	13007
11217	Barb Press In 3/16"	11217	13053	SCR FH SOC 10-32 x 3/8 SST Y	13053
11217	Barb Press In 3/16"	0985	13060	SCR SET SOC 10-32 x 1/4 OP STL	9844
11493	Garden Hose Washer	0850-1	13066	SCR SOC CAP 6-32 x 1/2 SSTY	13066
11624	Supply Tubing, 1/4", Poly Clear	1403	13070	SCR BH SOC 10-32 x 1/4 SSTY	13070
11723	O-Ring, Buna-n, .176 I.D. x .070 Width, -008; Pkg of 12	2205	13075	SCR BH SOC 10-32 x 1/2 SST	9795
11727	O-Ring, Buna-n, .426 I.D. x .070 Width, -013; Pkg of 12	2207	13077	Screw SST	9861
11737	O-Ring, Buna-n, .180 I.D. x .040 Width; Pkg of 12	2212	13083	SCR.BH.SOC 10-32 x 3/8 SST	9072
11779	O-Ring, Buna-n, .676 I.D. x .070 Width, -017; Pkg of 12	2237	13085	SCR BH SOC 8-32 x 1/4 SST	13085
11797	O-Ring, Buna-n, 2.109 I.D. x .139 Width; Pkg of 12	2246	13203	Automatic HP Tri-Block	4421
11797	-227 O-Ring Bulk	2246-1	13269	SCR BH SOC 6-32 x 3/8 SST	9794
12149	Cuspidor Screen	5312	13501	Toggle Cartridge Valve, Momentary, 3-Way, Normally Closed, Gray	7813
12159	Knob Only, Needle Valve, Gray	7069	13606	SCR BHSC 1/4-20 x 3/4 SSTY	13606
12173	Block Syringe Alternative-Elct	3032	13612	Toggle Valve, On/Off, 3-Way, Gray	7016
12188	Cuspidor Bowl	5311	13612	Toggle Cartridge Valve, On/Off, 3-Way, Normally Closed, Gray	7803
12208	Valve Cleaning HVE Brush; Pkg of 5	5620	13613	Toggle Valve, On/Off, 3-Way, Gray	7016
			13614	Toggle Routing Valve, 2-Way, Gray	7001
			13707	1/16" Cross Connector, Metal	0952





P&C® PN	DESCRIPTION	DCI PN
13777	Bushing, Light Post, 1-7/8 x 1-3/8	8471
13779	Vacuum Canister Side Port w/ Bracket	5872
13866	Economy Autoclavable Saliva Ejector w/ Quick Disconnect	5660
14129	Swivel SE w/ O-Ring Anodized	5671
14149	SCR FH SOC 6-32 x 1/4 SST Y	14149
14183	Pin .062 DIA x .35 LG SST	9647
14219	Cap Bottle w/ PS-22 Seal 28 mm x 19.0 mm	8126
14391	Screw Button HD SOC 6-32 x 3/4	9754
14528	Tubing Stripper	8621
14571	Toggle Valve, Side Port, 3-Way, Gray	7156
14693	O-Ring, Buna-n, .270 I.D. x .070 Width; Pkg of 12	2260
14693	O-Ring, 5-052 Buna	2260-1
14827	Tip Assist. Arm	8268
14845	Block, Mount, Tri-Block	14845
14846	SCR BH SOC 6-32 x 1/2 SST	14846
14880	Water Relay, Non-Retracting	7068
014901	Pelton & Crane® Light Reflector Bushing, LF II; Pkg of 2	8700
14911	Flow Restrictor	7022
15155	Adjustable Cuspidor Hinge	4152
15179	Side Port Needle Valve	7054
15180	2-Way N.C. Toggle Valve Gray	7158
15181	Shroud Upper Cuspidor	6709
15197	Knob Only, Needle Valve, Gray	7069
15205	Pin-Stop	15205
15227	SCR SOC CAP 10-32 x 5/8 SST Y	15227
15532	Pivot Telescoping Arm	15532
15541	Pin Dowell .250 DIA x 7/8 LG SST Y	15541
15542	Pin Dowell .1875 DIA x 3/4 LG SST Y	15542
15591	Clip FC Support	15591
15599	Shuttle Valve, 1/8"	7090
15613	SCR. SOC CAP 1/4-20 x 3/4 SST	15613
15622	Cart Frame, Standard H-Frame	8001
15640	Screw, Flat Head, Socket Head, 1/4-20 x 1 SST	15640
15701	Valve Moment, 3-Way NC Side Port Gray Toggle	7013
15717	Syringe Quick Disconnect Sleeve, Autoclavable	3325
15805	Toggle Cuspidor Aluminum	7024

P&C® PN	DESCRIPTION	DCI PN
15889	750 ml Plastic Bottle w/ Cap & Pick-Up Tube	8128
15975	Cart End Cap, Dome Shape, Gray	9224
16010	Toggle Valve, Momentary, 3-Way w/ Special Toggle	7009
16011	Toggle Valve, Momentary, 2-Way w/ Special Toggle	7014
16024	Vacuum Canister 1/2" Plug HVE Port	5811
16065	Plug Dome .375 Gray	9239
16087	SCR SET CP 1/4-28 x 1/4 SST	16087
16135	Valve Rear Ported 3-Way	7162
16218	Utility Center, Premium, Less Frame & Cover	8327
16253	SCR. FH. PHIL. #2 x .375 LG TYPE A SST Y	16253
16311	Washer for Water Bottle Cap	8136
16366	Solids Collector Disposable Screen	5823
16420	Holder, 3-Position, Holds SE & HVE by Base	8333
16421	Holder, 4-Position, Holds 2 HVE's by Base	8335
16479	Holder, Auto HP, Molded, Normally Closed, White	4561
16480	Holder, Standard, Molded, White	4566
16660	Barb, 1/16 for Water System Manifold	0165
16661	Barb, 1/8 for Water System Manifold	0166
16749	Pelton & Crane® Gas Spring Adjusting Tool	8697
16850	Nut 4-Hole Plated (Brass)	16850
17019	O-Ring, Buna-n, .799 I.D. x .103 Width; Pkg of 12	2297
17019	O-Ring, Buna-n, .799 I.D. x .103 Width	2297-1
18997	Automatic HP Quad-Block	4425
19035	Foot Control, Wet / Dry, Sterling Tubing	6322
19035	FC Disc Type Wet / Dry w/ 10' Sterling Gray Tubing	6323
19035	FC Disc Type Wet / Dry w/ 10' Sterling Gray Tubing	6323
19037	Foot Control, Wet / Dry & Chip Blower, Sterling Tubing	6324
19189	2-Way N.C. Toggle Valve Gray	7158
19189	Toggle Valve, Momentary, Rear Ported, 2-Way, Gray	7169
19315	Toggle Valve, On/Off, 2-Way, Gray	7012
19316	Push Button Valve, Momentary, 2-Way, Normally Closed, Black	7030-1
19350	Holder Auto Molded Assy (White)	19350
19350	Holder Auto Molded White w/ Marus, Gray Tubing	4567
19509	FC Disc Type Wet / Dry w/ 10' Sterling Gray Tubing	6323
19511	Holder, Standard, Molded, Gray	4568

P&C® PN	DESCRIPTION	DCI PN	P&C® PN	DESCRIPTION	DCI PN
19514	Holder, Auto HP, Molded, Normally Closed, Gray	4869	45004	Deluxe Power Pack	8937
19682	Bottle Adapter w/ Washer, Water Bottle Quick-Switch	8943	045431	Venturi Y Tube Assy	5245
19685	Pin Dowel .125 x 1.5 LG	9662	045606	Cart Frame, Small U-Frame	8006
19685	Pin Dowel .125 x 1.5 LG; Replaced by 9662	19685	45831	Flow Adjusting Screw w/ O-Ring	2110
19819	Stem w/o Gage Port Q.D.	19819	045962	FC Tubing, 3-Hole, Poly Sterling	349
22438	Pelton & Crane® Light Reflector, LFI & LF +	8610	045972	Vacuum Tubing, 1-3/4" I.D., Corrugated Sterling	719
23940	Pelton & Crane® Light Reflector Bushing, LF II; Pkg of 2	8700	045980	HVE Autocl. Premium w/ Q.D P&C	5072
040262	Transformer, Input 110-120V, Output 9VDC 1 AMP	8966	045982	HVE Short Autocl w/ Q.D P&C	5200
040267	5-Hole Lamp Module, Red Gasket	8813	045992	HP Muffler & Oil Collector	7321
040274	Bottle 2 Liter w/o Logo Blow Molded	8169	046015	Premium Autoclavable Saliva Ejectors 3/16" Quick Disconnect Swivel	5092
040343	Vacuum Tubing, 1/2" I.D., Smooth Asepsis Sterling	742	046015	Adapter S.E. P&C, Dull Finish	20213
040423	FC Tubing, 2-Hole, Poly Sterling	246	46017	3/8" Poly Q.D. w/ Shut-off, Male	0012
040735	Swivel Q.D. SE P&C Anodized	17986	047038	Doctor's Stool Cylinder	2953
041202	Syringe, Standard, Quick-Clean, Less Tubing & Kit	3430	047039	Assistant's Stool Cylinder	2952
41207	Syringe Repair Kit, Quick-Clean	3066	47185	Holder Valve, Auto HP, Normally Open, Side Port	5947
041759	Caster, Soft Wheel For Hard Floors, Gray	2946	47186	Holder Valve, Auto HP, Normally Open, Rear Port	5989
041772	Assistant Stool Cylinder, 45mm Dia.	2962	047425	Solids Collector Disposable Covered Screen, 2 1/8"	5889
041789	Doctor Stool Cylinder, 45mm Dia.	2964	47732	Bottle Water Blow Molded .750 ml, w/ Grip, w/o Logo	8637
041812	Vacuum Tubing, 3/4" I.D., Corrugated Sterling	715	49855	Mini Regulator, 10-32 Input, Self-Relieving	7205
042067	5-Hole Lamp Module, Black Gasket	8773	49871	Holder Auto Electric Molded N.O. Marus, Gray	4570
042103	Foot Control, Wet/Dry & Chip Blower, Sterling Tubing	6324	50468	Counter Top Mounted HVE, Chrome Bezel	5781
042811	Vacuum Tubing, 1/2" I.D., Asepsis Gray	731	50581	Counter Top Mounted HVE, Nickel Bezel	5782
042812	Vacuum Tubing, 5/8" I.D., Asepsis Sterling	739	50677	Automatic HP Quad-Block	4425
042929	Rectangular Air Gauge	7270	050678	Pelton & Crane® Water Relay w/ Flow Control	7132
42942	H-Frame Assembly DCI	15622	50678	Pelton & Crane® Water Relay w/ Flow Control	7132
42942	Cart Frame, Standard H-Frame	8001	50684	Round Pressure Gauge, Panel Mount, 0-100 PSI	7265
043217	HP Muffler & Oil Collector	7321	50978	10-32 x 1/8" MPT Pipe Tee	0899
043990	Shut Off Valve Bowl Rinse 1500 Cuspidor	043990	51820	Valve Assy 3000 Unit Head Handle P&C	5959
43990	Time Delay Valve, Cuspidor Assy	9275	51886	Rear Ported Valve, 3-Way, Gray	7161
044251	Saliva Ejector Basket, Plastic; Pkg of 10	5755	52244	Automatic HP Quin-Block	4427
044251	Saliva Basket Plastic Bulk	5755-1	52771	Block Syringe Assy	3025
044255	Vacuum Valves 1/2" Quick Disconnect Swivel	5082	52772	Water Relay Combo Valve Repair Kit	7133
044255	Swivel Pelton w/o Pin w/ O-Ring	5138	53668	Manual Shut-Off Valve, 1/2" FPT Inlet	7100
044255	Swivel Q.D. HVE Alum w/ O-Ring	5173	054294	Standard Autoclavable Vacuum Valves Lever & Spool Assembly	5168
44257	10-32 Swivel Elbow	0167	054295	Standard Autoclavable Saliva Ejector Lever & Spool Assembly	5169



P&C® PN	DESCRIPTION	DCI PN	P&C® PN	DESCRIPTION	DCI PN
56977	Valve Pilot Assy P&C	5979	4700147	Pelton & Crane® Temperature Gauge, OCM & OCR	2118
58306	Valve Pilot N.O. Assy P&C	5928	4700840	Filter Element, 40 Micron	7247
58451	Air Electric Switch, 10 PSI, Normally Closed	7089	4700840	Filter Element, 40 Micron; Pkg of 6	7248
58463	Duck Bill Barb	0168	5472621	SE Premium w/ Swivel Assy	5095
61223	Toggle Valve Replacement Cartridge, On/Off, 3-Way, Normally Closed, Blue w/ Gray Toggle	7903	9431388	Solids Collector Disposable Screen Pelton & Crane® Spirit ; Pkg of 144	6821
61484	Barb 1/16 Double Ended Duckbill	0177	9432311	Pelton & Crane® Reservoir Filter	2157
062804	Pelton & Crane® Premium Autoclavable Saliva Ejector, Flush Top, Long Quick Disconnect	5232	9442583	Saliva Ejector Tip Push-on Autoclavable, Gray	5754
062806	Precision Comfort Premium Autoclavable Saliva Ejectors 3/16" Quick Disconnect Swivel w/ O-Ring	5217	002R004	10-32 x 1/16", Barb; Pkg of 100	0187
62808	Adapter Standard HVE w/o Pin Pelton & Crane®	5180	002R015	Kit 8-32 x 1/16" Barb/Washer; Pkg of 10	0084
120208	Valve Cleaning HVE Brush; Pkg of 5	5620	002R019	1/8" Barb Tee, Plastic; Pkg of 10	0083
1539241	Pelton & Crane® Door Seal, Delta, Delta XL, Validator, 8"	2102	002R019	1/8" Barb Tee, Plastic	0083-1
1539407	Pelton & Crane® Door Seal, Delta, Delta XL, Validator, 10"	2103	002R022	10-32 x 1/16" Barb Elbow, Plastic; Pkg of 10	0080
1881031	Pelton & Crane® Fill / Vent Water Filter	2111	002R022	10-32 x 1/16" Barb Elbow, Plastic	0080-1
1897763	1/16" In-line Barb; Pkg of 10	0077	003R012	1/8" MPT Adapters x 3/8" Compression Tube	0100
1897763	1/16" In-line Barb	0077-1	004R002	1/4" Poly Q.D. w/ Shut-off, Male 1/4"	0014
1898928	1/8" Uni-Clamp, 2-Piece; Pkg of 10	0089	004R006M	1/4" Q.D. Panel Mount x 10/32 w/ Shut-off, Female	0006
1898928	1/8" Uni-Clamp, 2-Piece	0089-1	005R001	1/4" Clamp Sleeve	0070-1
3003410	Holder, Auto HP, w/ Lockout Toggle, Gray	5960	007R003	O-Ring, Buna-n, .056 I.D. x .060 Width, -003; Pkg of 12	2201
3303075	O-Ring, Buna-n, .042 x .050 Width, -002; Pkg of 12	2230	007R006	O-Ring, Buna-n, .114 I.D. x .070 Width, -006; Pkg of 12	2203
3305153	Kit Syringe Autocl w/ Tip P&C	3063	007R010	O-Ring, Buna-n, .239 I.D. x .070 Width, -010; Pkg of 12	2214
3305161	Syringe Tubing Sleeve, Autoclavable	3036	007R013	O-Ring, Buna-n, .426 I.D. x .070 Width, -013; Pkg of 12	2207
3306177	Syringe Tip, Autoclavable, Quick-Change, Long; Pkg of 5	3061	007R016	O-Ring, Buna-n, .614 I.D. x .070 Width, -016; Pkg of 12	2236
3321598	Pelton & Crane® Light Shield, LF II; Pkg of 2	8601	007R019	O-Ring, Buna-n, .801 I.D. x .070 Width, -019; Pkg of 12	2238
3321820	Pelton & Crane® LFII Dimmer Switch	2960	010R013	10-32 Washer, Plastic; Pkg of 100	0072
3321853	Power Switch, 125 Vac 15 Amp	8114	010R082-1	Washer for Water Bottle Cap	8136
3321879	Pelton & Crane® Light Bulb, 24 VAC 150 Watt	8683	015R017	Potentiometer	9258
3321887	Pelton & Crane® Light Reflector, LF II	8932	017R020	Caster, Cart, Gray	2946
3322281	Pelton & Crane® Door Spacer, Delta, Delta XL, Validator, 8" & 10"	2104	020R010	Manual Shut-Off Valve, 1/2" FPT Inlet	7100
3322646	Pelton & Crane® LF II Dimmer Switch Knob	2961	15537BL	Mount Clamp Tray-Anodized / Grained	12778
3324782	Repair Kit, Autoclavable HVE	5145	15538BL	Mount Pin Tray-Anodized / Grained	12781
3324816	Repair Kit, Autoclavable SE	5645	20-5501	1/8" Clamp Sleeve; Pkg of 10	0071
3324915	Regulator 1/8 NPT 4 Port w/ Plugs	12589	20-5501	1/8" Clamp Sleeve	0071-1
3324915	Norgren Regulator Only, Non-Relieving	7220	30R360	Non-Slip Pad, 6" x 11.5"	8222
3336679	Holder Assy, Vacuum, Gray	5970	3349D	Syringe Less Tubing & Kit, Continental, Autoclavable	3349
3336992	Pelton & Crane® Light Socket, LF I, LF II, LF III	8636			
4205360	FC Disc Type Wet / Dry / Chip Blow	6316			

P&C® PN	DESCRIPTION	DCI PN
3450D	Syringe, Continental, Quick Clean, Less Tubing & Kit	3450
46R143	Solids Collector Disposable Screen, 2 1/8"; Pkg of 100	5887
5811D	Vacuum Canister 1/2" Plug HVE Port	5811
55R012	Standard Autoclavable Saliva Ejectors w/ Quick Disconnect	5090
55R027M	Mini Regulator, 10-32 Input, Non-Relieving	7203
55R030M	Rectangular Air Gauge	7270
55R044M	Round Pressure Gauge, 0-160 PSI	7260
55R102M	Check Valve w/Ball, 1/16" Barb	7140
55R197	Flow Control Valve w/ Knob, Gray	7056
55R346	Single Shut Off Valve Assembly & Filter, Air	9187
55R347	Single Shut Off Valve Assembly & Filter, Water	9188
60R188	Holder Valve, Auto HP, Normally Closed, Side Port	5948
60R218	Valve Pilot Non-Exhausting	60R218
62R049	Stud Filter Cover	62R049
62R050	Filter Element, 40 Micron	7247
62R053	Filter Cover Nut	62R053
62R054	9 Hole Gasket; Pkg of 10	9004
62R064	Diaphragm, 1"; Pkg of 10	9002
62R071	Water Valve, Housing, Black Body	9094
62R074	Spring, Conical .260 / .350 O.D.; Pkg of 10	9095
62R076	Valve Relay Assy Black 1 Hole N	9130





## RETURN PROCEDURE

### OVERSTOCK RETURNS

Items must be in original condition to be eligible for return; no credit will be issued on used, installed, damaged or incomplete returns (no partial packages).

Customized, obsolete, discontinued and upholstery items will not be accepted for credit. Returns will not be accepted once one year has passed since the original invoice date.

15% Restocking fee will be applied on overstock Reliance Operatory Equipment returns.

▶ Before returning the product, call DCI Customer Service for a Return Authorization Number. Please have the following information when you call:

- Customer number
  - Part numbers and quantities for all return items
  - The corresponding DCI invoice or order number
- ▶ Carefully package all return items to prevent shipping damage. Please contact DCI Customer Service for proper packaging materials if needed.
- ▶ Write the Return Authorization Number on the outside of the package and reference the number on any accompanying items and paperwork.
- ▶ Ship to DCI at the shipping address below.

### ONE YEAR GUARANTEE

DCI has put significant time and effort into designing, manufacturing or selecting all the fine products within this catalog. Therefore we are able to fully guarantee every product we sell to be free of manufacturing defects for one year from the time of purchase (except fiber optic tubing which is warranted for six months and power optic light bulbs, lamp modules and light bulbs which have an "out of box" warranty). Should any product fail, DCI will repair or replace the product at no charge to the customer.

▶ Before returning the product, call DCI Customer Service for a Return Authorization Number. Please have the following information when you call:

- Reason for return/type of failure
  - Customer number
  - Part numbers and quantities for all return items
  - The corresponding DCI invoice or order number
- ▶ Write the Return Authorization Number on the outside of the package and reference the number on any accompanying items and paperwork.
- ▶ Ship to DCI at the shipping address below.

#### **RETURNS SHIPPING ADDRESS:**

**ATTN:** Returns 705 S. Springbrook Road, Building B, Newberg, OR, 97132-0228, U.S.A.

**MAILING ADDRESS:** DCI, P.O. Box 228, Newberg, OR, 97132-0228, U.S.A.

### THIRD PARTY TRADEMARK NOTICE

A-dec®, Cascade®, Century Plus®, Century®, Continental®, Decade®, Performer®, Preference®, Preference Collection®, Radius®, A-dec 500® and A-dec 300® are registered trademarks of A-dec®, Inc. of Newberg, Oregon. Dentech® is a registered trademark of Alliance H., Inc. of Sumas, Washington. Midmark® is a registered trademark of Midmark Corp. of Versailles, Ohio. Tapmaster® is a registered trademark of Tapmaster Inc. of Calgary, Canada. Pelton & Crane™ is a trademark of Pelton & Crane of Charlotte, North Carolina. Marus™ is a trademark of Marus Dental International of Newberg, Oregon. DENTSPLY® is a registered trademark of DENTSPLY International Inc. of York, Pennsylvania. Belmont® is a registered trademark of Takara Belmont USA, Inc. of Somerset, New Jersey. Tuttnauer® is a registered trademark of Tuttnauer USA Company, Ltd. of Hauppauge, New York. DentalEZ® is a registered trademark of DentalEZ, Inc. of Malvern, Pennsylvania. SciCan® is a registered trademark of SciCan Ltd. of Canonsburg, Pennsylvania. RAMVAC® is a registered trademark of RAMVAC Dental Products, Inc. of Spearfish, South Dakota. The parts described in this catalog are manufactured by DCI to fit products manufactured and sold by third parties under the foregoing third party trademarks.



FOR THE LATEST VERSIONS, CHECK OUT OUR  
ONLINE RELIANCE ORDER GUIDE AND PARTS CATALOG

RELIANCE ORDER GUIDE



PARTS CATALOG



**DCI Corporate Office**

705 S Springbrook Road  
Newberg, OR 97132  
customerservice@dcionline.com

**1-800-624-2793**

Mon to Fri 5 A.M. - 5 P.M. PST

