

SERIES 4 AUTOMATIC AND MANUAL CART

Instructions for Use



R4220 / R4240 / R4245 / R4511 / R4540 / 4220 / 4221 / 4240 / 4242 / 4245 / 4511 / 4523 / 4540 / 4542

GENERAL INFORMATION

APPLICABLE MODEL

R4XXX, 4XXX

INTENDED APPLICATION AND USE

The dental delivery system is a device intended to support the instruments used by the dental practitioner, delivering those instruments to an accessible position during a dental procedure. This device may control and be the means of delivering compressed air, water, vacuum and low voltage electricity to a variety of instruments commonly used in dental practice.

ASSEMBLY INSTRUCTIONS



NOTE: If dental delivery system destination is in the United States, no assembly of U-frame to dental delivery system is required. Cart is shipped fully assembled. Assembly needed if shipped outside of the United States.

1. Assemble U-frame according to Figure 1.
2. Using 5/32" hex key, attach cart base to U-frame mounting plate using the 4 supplied button head screws.

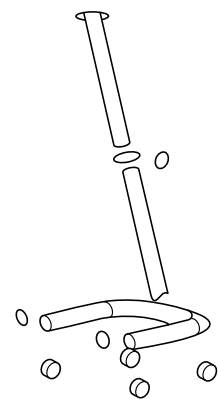


FIGURE 1

INSTALLATION INSTRUCTIONS

Package contains:

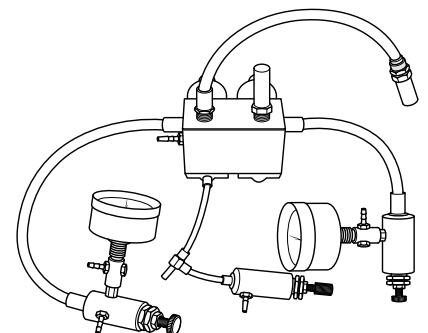
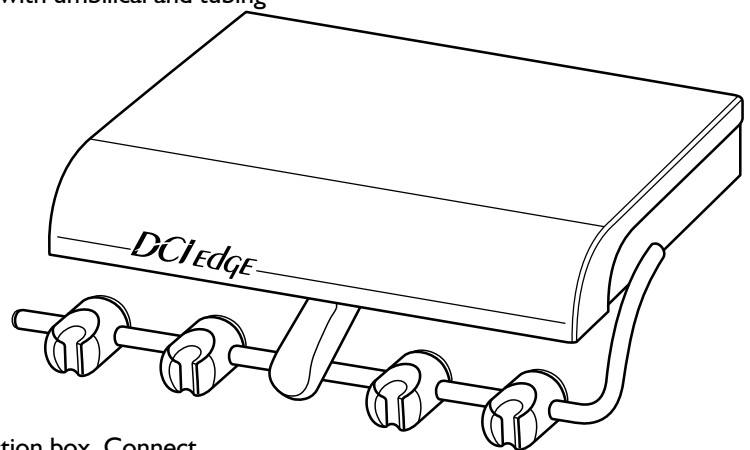
- Automatic or Manual control dental delivery system with umbilical and tubing
- 750 ml self contained water system
- Precision Comfort syringe
- Wet/Dry foot control
- Stainless steel tray with non slip pad
- Syringe repair kit
- Adjustable height U-frame
- Utility center with box and regulators

Tools needed:

- 1/4" and 1/8" sleeve tool
- 5/32" hex key

Instructions

1. **Umbilical tubing:** Run umbilical tubings directly into junction box. Connect proper tubings to utility center:
 - 1/4" Blue - Water supply
 - 1/8" Clear - Unregulated-Input air supply
 - 1/8" Yellow - Unregulated-Output air to shut-off blocks
 - 1/4" Gray - Regulated air input to drive air and air coolant
 - 8 conductor low voltage power cord - as needed. (Automatic dental delivery system only)
2. **Water and Air Supply:** Open the manual shut-off valves in the utility center. Adjust regulated air to 80 psi and regulated water to 40 psi. When adjusting for a lower pressure, make the adjustment, and then press the syringe button to relieve the pressure to get an accurate pressure reading.



OPERATING INSTRUCTIONS AND DENTAL DELIVERY SYSTEM FEATURES

HANDPIECE HOLDERS

The asepsis handpiece holders are designed to resist chemical discoloration and be easy to clean. In the automatic dental delivery system, the handpiece is activated when removed from the holder and stepping on the foot control disc. In the manual dental delivery system, handpiece selection is achieved using the handpiece selector switch. The positions of the individual handpiece holders are adjustable, loosen the set screws, move the instrument holder to the desired location, and retighten the screws. You will need a 1/8" hex key. See Figure 2.

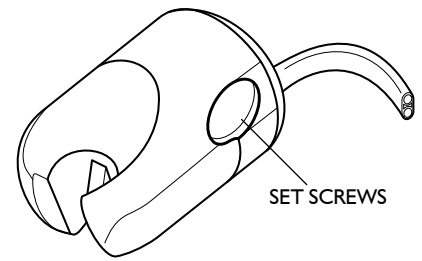


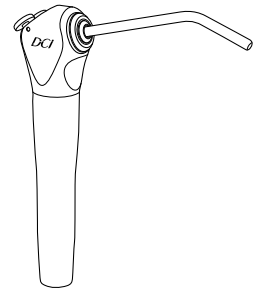
FIGURE 2

CONTROLS

The *master on/off toggle* controls air and water to the entire system. It is located on back of the dental delivery system. The *water coolant flow control knobs* control water to a specific handpiece and are located on the underside of the control dental delivery system, near the front. The *handpiece #2 Water on/off switch* is located on the underside near the front on the left side (Manual Version Only). The *handpiece flush toggle* is located on the back of the dental delivery system - used to flush handpieces (automatic dental delivery system only). The *drive air pressure gauge* indicates the operating pressure of the selected handpiece. It is located on the left side of the control dental delivery system chassis. The *drive air adjustment screws* are located on the inside of the control dental delivery system, in the center on the auto dental delivery system and on the bottom front of the dental delivery system in the manual version. To gain access in the automatic dental delivery system - lift cover and lock cover latch in the up position. Handpiece drive air pressure should be adjusted to the handpiece manufacturer's recommendation.

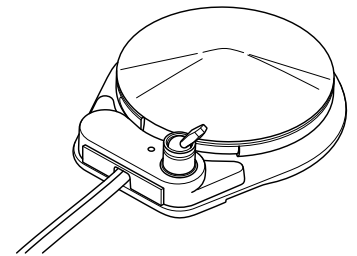
SYRINGE

The Precision Comfort syringe is packaged in a shipping envelope, with operating instructions and a repair kit attached. The syringe goes in the holder on the far left side of the instrument holder bar. Adjustment screws for the air and water flow to the syringe are located on the underside of the control dental delivery system, in the front left area. Use the 3/32" hex driver provided with the dental delivery system to turn the hex screws counterclockwise to increase the flow of air or water, clockwise to decrease the flow.



FOOT CONTROL IN AUTOMATIC DENTAL DELIVERY SYSTEMS

The foot control is equipped with a wet/dry toggle. When the toggle is positioned toward the blue dot, water will be provided to the active handpiece. With the toggle positioned away from the blue dot, water is turned off. Handpiece speed is controlled with the foot control disc. Varying pressure on the foot control disc controls speed. Air coolant is also provided when you step on the foot control disc. Foot Control cradle is located on the base of the U-frame.



FOOT CONTROL IN MANUAL DENTAL DELIVERY SYSTEMS

Both air coolant and drive air are supplied in varied rates dependant on foot pressure on the disc. Foot Control cradle is located on the base of the U-frame.

DENTAL DELIVERY SYSTEM COVER AND CHASSIS

The control head can be cleaned with most commonly available surface disinfectants. Do not use any Sodium Hypochloride solutions, or any cleansers containing alcohol. These may cause paint and finish discoloration.

DENTAL DELIVERY SYSTEM WATER LINE MAINTENANCE

Distilled water is not recommended for use in dental delivery systems. The Center for Disease Control and the American Dental Association can provide recommendations on when to flush your system, for how long and what products to use.

CLEANING AND MAINTENANCE

Do not use powdered cleansers, scouring pads, or abrasive scrubbers on any of the finished metal surfaces in this dental delivery system, i.e., the syringe or the foot control disc. Sodium Hypochloride will also damage these surfaces.

The handpiece oil collector is located on underside of dental delivery system in center, unscrew base to reveal gauze, replace weekly if necessary with 2" x 2" gauze pad.

