

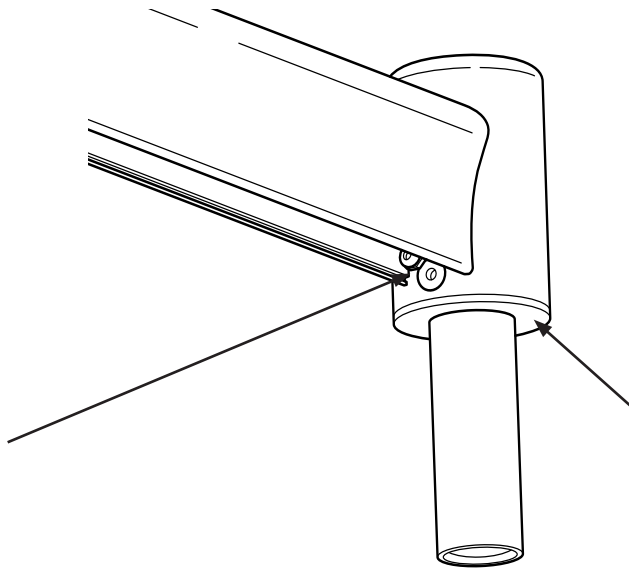
DCI TOP POST MOUNT ADAPTER 8923 (OPTIONAL) AND 8956 (OPTIONAL) FOR 8733-8736 FLEX ARM SYSTEMS

Installation Instructions



Removal of top post mount adapter and conversion to thru post mount - use left side notes starting at step 1.
Thru post mount conversion to top post mount - use right side notes starting at step 1.

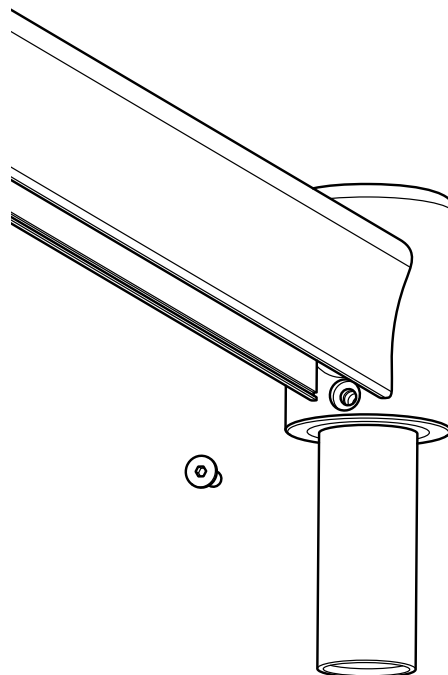
STEP 1.
Slide umbilical cover away from hub.
Locate socket head screw. Remove
umbilical tubing from adapter.



STEP 4.
Tighten socket head screw and route
umbilical tubing through side hole
in hub and down through bottom of
adapter. Add nylon washer to post
mount adapter. Assembly is now
ready for installation.

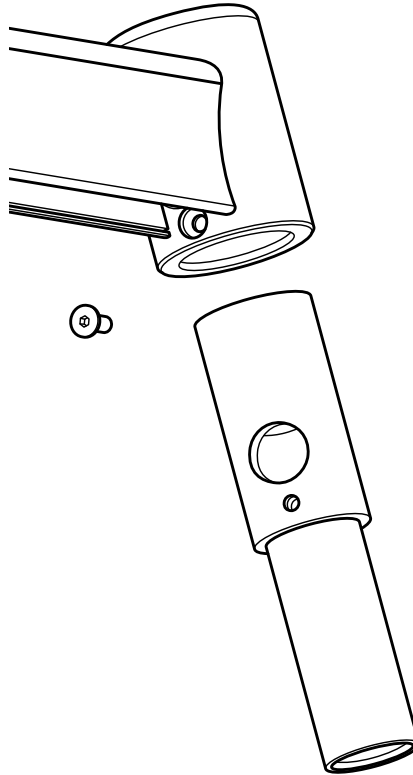
NYLON WASHER

STEP 2.
Remove socket head screw.



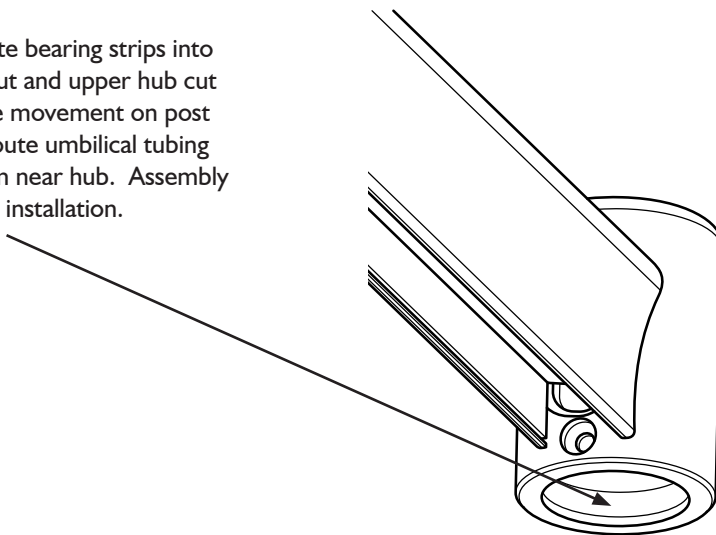
STEP 3.
Screw in socket head screw.

STEP 3.
Slide out adapter.



STEP 2.
Slide adapter into thru post hub
from the bottom of the hub. Align
mounting hole.

STEP 4.
Insert appropriate bearing strips into
lower hub cut out and upper hub cut
out to allow free movement on post
without play. Route umbilical tubing
from base of arm near hub. Assembly
is now ready for installation.



STEP 1.
Remove bearing strips - upper and
lower.

