

maximum allowable. Pressure can be decreased by turning the knurled knob on the regulator counter-clockwise (the regulator is inside the PMU). Do not increase the pressure.

The top of the bottle is threaded into a fitting inside the PMU. To remove the bottle for filling, turn it counter-clockwise to unscrew it from the fitting. Unscrew the bottle slowly to avoid a sudden release of air pressure.

With the bottle removed, you may hear a faint hissing sound as pressurized air bleeds through the clear tubing in the bottle fitting. This is normal.

After filling, thread the short length of clear tubing into the mouth of the bottle. Then, screw the bottle back into the threaded fitting. Snug the bottle down into the threads to provide a seal. The bottle will pressurize automatically.

Access (Figure 5)

Both of the side covers on the PMU are Removable for access to the syringe block and the utility connections; Locate the black knobs on the underside of the PMU. Turn them counterclockwise until you feel the threads disengage. Do not attempt to remove the knobs; they are designed to stay in place when the covers are removed.

Pull the side covers off. The syringe flow adjustment screws are on the syringe block. To make adjustments, use the 3/32" ball driver provided with the system.

To replace the covers, fit them back on to the chassis. Push up on the black knobs and turn gently until the threads engage. Tighten the knobs.

Cleaning and Maintenance of the 6600

Cuspidor

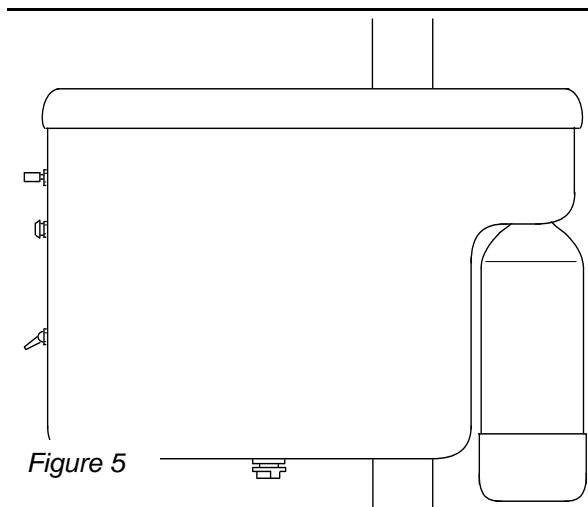
To prevent buildup of any debris, daily flushing of the cuspidor is recommended. Eco Vac Vacuum

System Cleaner (DCI catalog numbers 5835 and 5837 is a non-toxic, environmentally safe cleaner which biologically degrades waste into natural elements.

Post Mount Utility Center

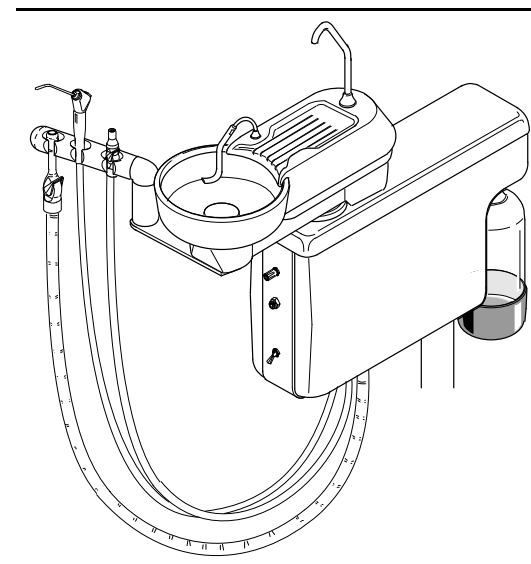
The solids collector contains a removable screen, which should be emptied, cleaned and disinfected at least once a week. To remove the lid from the solids collector, shut off the central vacuum, or open one of the universal valves if you leave the central vacuum on. The screen can be cleaned and reused or replaced with a new one.

External surfaces of the solids collector can be cleaned with a solution of warm water and a mild detergent.

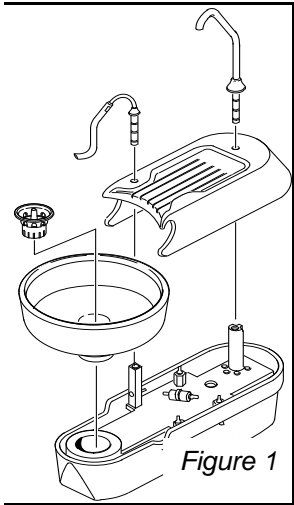


Committed to Innovation

Operating Instructions for the System 6000, Model # 6600



Gravity Drain Cuspidor (Figure 1)



Cup Filler

The cup filler on the cuspidor is operated by a momentary toggle. As you face the cuspidor bowl, there are two momentary toggles on the lower right side of the cuspidor housing. The toggle for the cup filler is toward the rear. Pull and hold the toggle toward you to turn the water on. Release the toggle to turn the water off.

Timed Bowl Rinse

The toggle for the timed bowl rinse is just in front of the water spout toggle. To activate the rinse, pull the toggle forward and release it.

The duration of the rinse can be adjusted. On the lower left side of the cuspidor housing, locate a control knob. Rotate the knob to adjust the duration of the rinse.

The rinse spout is moveable; position as desired.

Replaceable Screen

The screen in the bottom of the cuspidor bowl is disposable. Replacements are available in the DCI catalog, part number 5312.

Removable Spouts

The cup filler and the bowl rinse spouts are removeable for cleaning, disinfecting or autoclaving. Pull firmly on the spouts to remove them. To replace, insert the spout in its receptacle and push until the o-rings seat. The cup filler has a small hole on the underside of the flange above the o-ring fittings. This hole mates with a tab to ensure that the cup filler is properly oriented over the drain area.

The o-rings on the spouts are autoclavable.

Removable Bowl

The cuspidor bowl can be removed without tools. With the spouts removed, lift the cover off of the

cuspidor housing (see figure 1). To remove the bowl, pull it straight up to disengage the o-rings from the drain fitting.

To reinstall, push the bowl back into the drain fitting. Position the cover over the holes for the spouts, and press the spouts back into place.

Assistant's Instruments

The assistant's instruments are located in a tool bar mounted on the cuspidor housing. They include an HVE and an SE. All come with their own operating and maintenance instructions.

Holder Bar (Figure 2)

The holder bar position is adjustable in two degrees of motion. Twist the bar to rotate it. Pull or push on the bar to pivot. In addition, the entire holder bar assembly can be moved by repositioning the

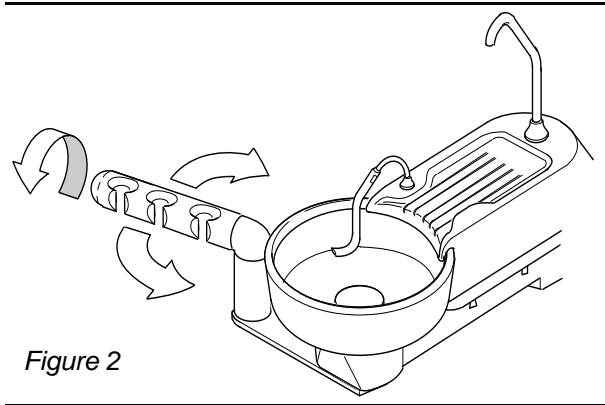


Figure 2

mounting bracket attached to the cuspidor housing.

For easy cleaning and maintenance, the holder bar can be disassembled. Pull the bar toward you while twisting slightly. The right angle fitting that the bar snaps into can be removed in the same way. To replace either part, align with the mating part and press together until the o-ring seats. There will be no gap between the two parts when they are properly seated (see Figure 3)

Post Mount Utility Center

Solids Collector

The solids collector is located in the top of the post mounted utility center, under the cuspidor housing.

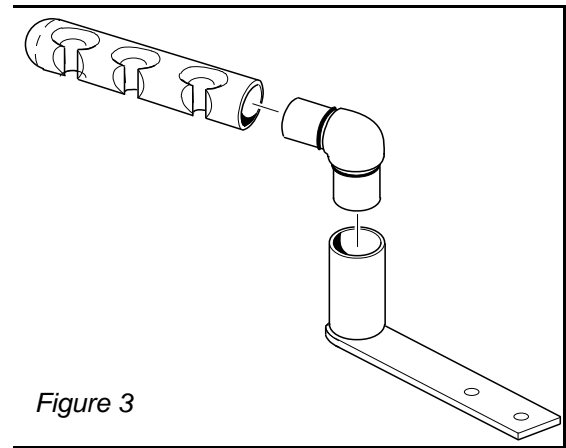
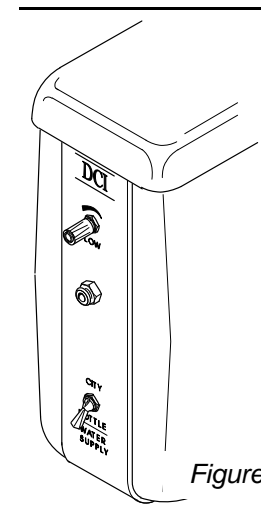


Figure 3

Push the cuspidor aside for access.

Water Outlet with Flow Control (Figure 4)

The water outlet is on the front panel of the post mounted utility center; the flow control knob is just above it. The outlet accepts a 1/4" quick disconnect fitting (DCI Part Number 0014).



Water Supply Selector

The post mounted utility is equipped with a self-contained water supply. The system can also run on city water. Desired supply is selected with a toggle, labeled "water supply", located on the front panel of the post mounted utility, below the quick-disconnect water outlet.

Self Contained Water Supply (Figure 5)

The reservoir for the self contained water supply is a 2-liter bottle, mounted on the Post Mounted Utility Center. Pressure in the bottle is controlled with a mini-regulator, which is pre-set to 40 psi, the