

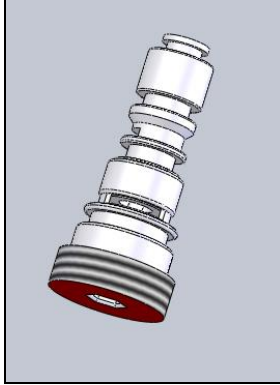


DCI REPAIR VALVES #9169, 9168, 9167

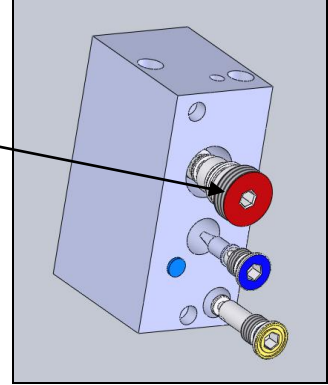
INSTALLATION INSTRUCTIONS

Be sure all o-rings in all assemblies have adequate silicone lubricant applied before assembly.

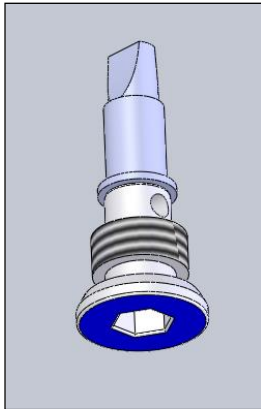
NOTE: Be sure to identify and turn off all pressure sources supplying the control block before proceeding  
Removal and installation of DCI Part # 9169



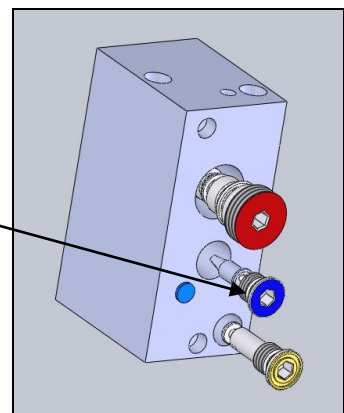
1. Remove existing Century Plus cartridge water valve assembly from Century Plus block, using 3/32 hex wrench. Be sure full removal of all components of valve.
- Important:
2. Before moving to next step – clean the Century Plus block water valve bore of all corrosion and debris including supply ports in block - otherwise new DCI valve may not function properly.
  3. Insert DCI 9169 into cleaned block turning valve with 3/32 hex wrench clockwise until tight.



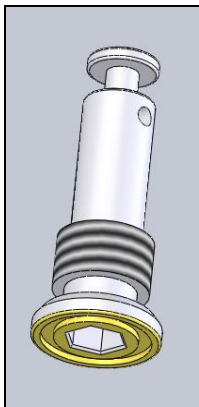
Removal and installation of DCI Part# 9168



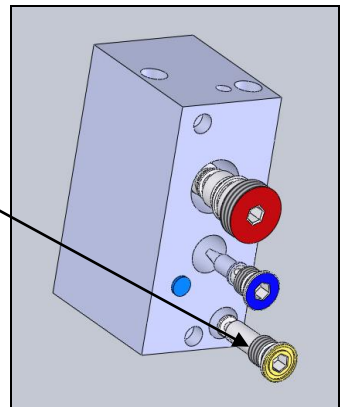
1. Remove existing Century Plus cartridge check valve assembly from Century Plus block, using 3/32 hex wrench. Be sure all components of valve have been removed.
- Important:
2. Before moving to next step – clean the Century Plus block check valve bore of all corrosion and debris including supply ports in block - otherwise new DCI valve may not function properly.
  3. Insert DCI 9168 into cleaned block turning valve with 3/32 hex wrench clockwise until tight.



Removal and installation of DCI Part # 9167



1. Remove existing Century Plus cartridge bleed valve assembly from Century Plus block, using 3/32 hex wrench. Be sure all components of valve have been removed.
- Important:
2. Before moving to next step – clean the Century Plus block bleed valve bore of all corrosion and debris including supply ports in block - otherwise new DCI valve may not function properly.
  3. Insert DCI 9167 into cleaned block turning valve with 3/32 hex wrench clockwise until tight.



Turn on all pressure supplying devices. Remove appropriate handpiece from holder, activate foot control and verify handpiece function as well as water coolant to handpiece. Hang up handpiece in holder, check that holdback function is operating, activate handpiece there should be no flow of air or water to handpiece. Verify no leakage of air or water of replaced components. System is now ready for use.