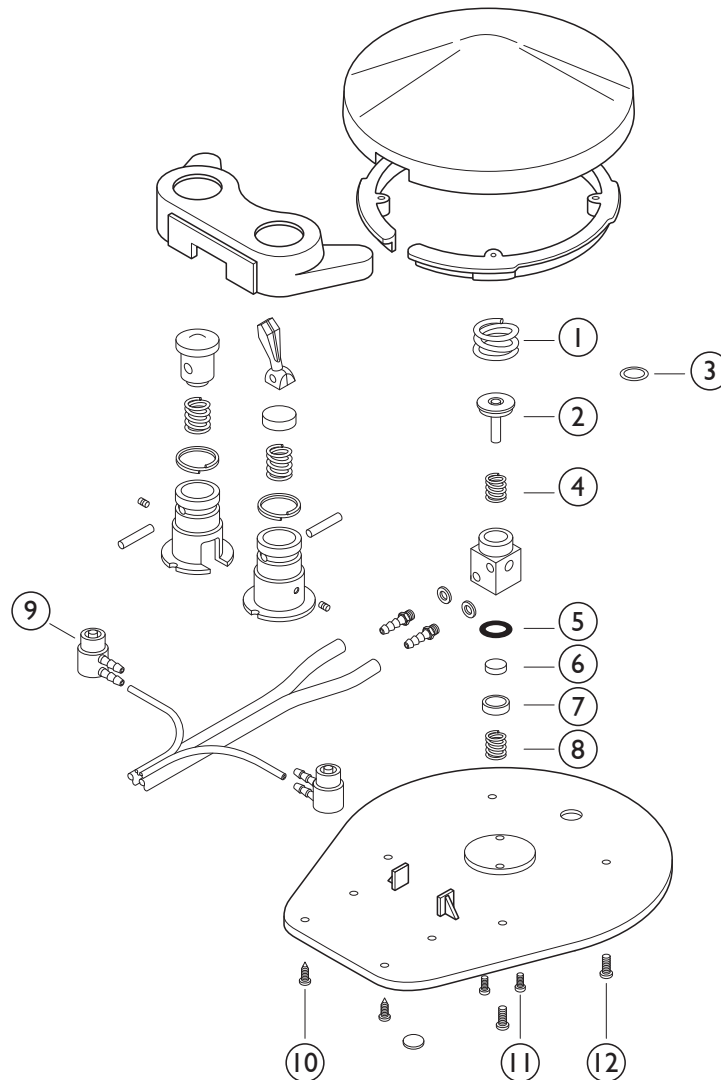


6166 MULTI-FUNCTION FOOT CONTROL REPAIR KIT



FOR 55R527, 55R531, AND 55R535 FOOT CONTROLS



REF. NO.	PART NO.	DESCRIPTION	QTY. PER ASSY.
1	6011	Large Spring	1
2	6018	Piston	1
3	2210	Piston O-Ring	1
4	6012	Conical Spring	1
5	2207	Body O-Ring	1
6	9010	Poppet	1
7	6016	Poppet Cap	1
8	6013	Toggle Spring	1
9	5948	Pilot Valve	1
10	9797	4 x 3/8 Plastite Pan Head Phillips	2
11	9746	6 x 1/2 Pan Head Phillips	2
12	6014	6-32 x 1/4 Pan Head Phillips	2