

LIGHT SWITCH/CABLE REPLACEMENT FOR THE 37I DENTAL LIGHT

Installation Guide



RECOMMENDED TOOLS

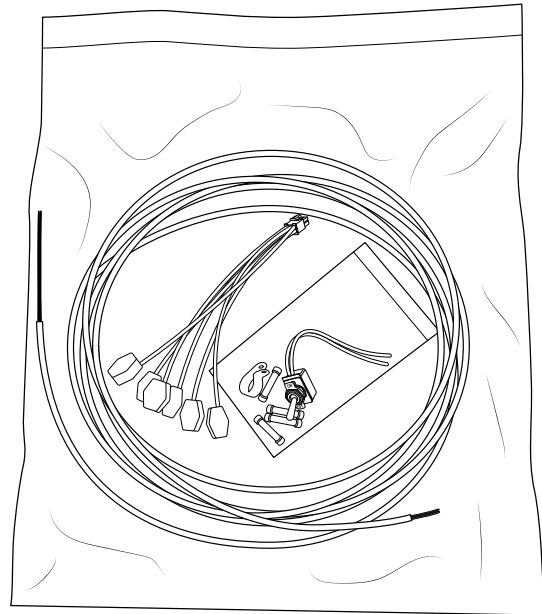
- SAE Hex Key Set
- Multi-Purpose Wire Stripper/Crimper
- Needle-Nose Pliers
- Wire Cutters
- 1/8 in. Fish Tape
- Adhesive Tape (Electrical or Masking)
- Voltage Detector (19v-1000v AC/5v-1000v DC)

LIGHT CABLE REMOVAL

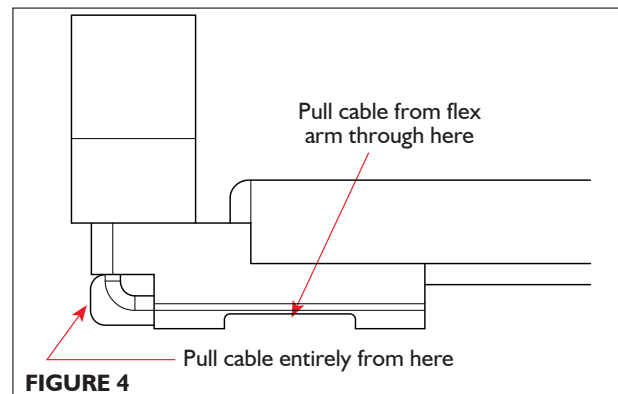
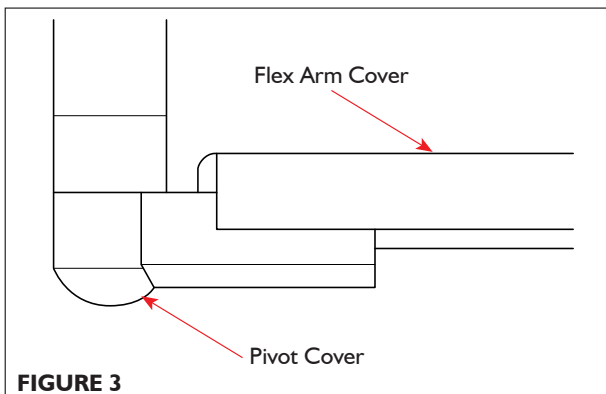
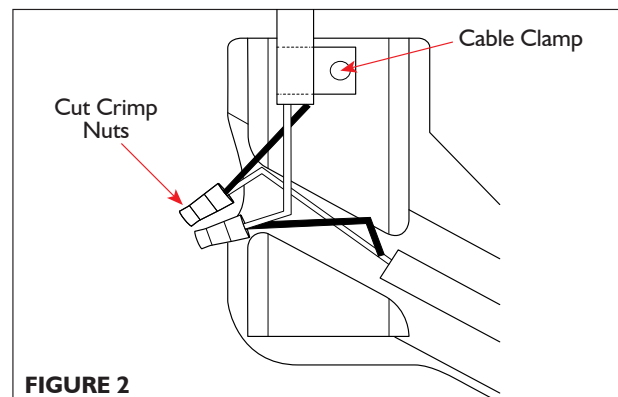
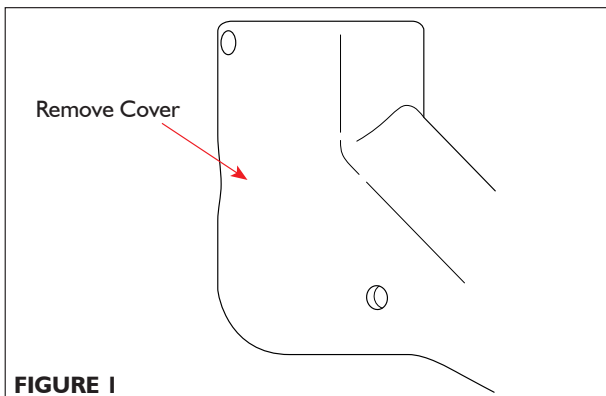
1. Turn off the power to the device then disconnect the cable from the power source.



WARNING: Failure to disconnect the device from its power source before attempting this procedure will result in electrical shock.



2. Remove the housing cover from the light with a 5/32 in. hex key to access the wiring. **Figure 1**
3. With wire cutters, remove the crimp nuts from the two wire sets inside of the housing. **Figure 2**
4. Remove the cable clamp from inside of the Yoke Housing with a 5/64 in. hex key. **Figure 2**
5. Remove the flex arm cover and the pivot cover using a 5/64 in. hex key. **Figure 3**
6. Using needle-nose pliers, gently pull the light cord through the bottom of the flex arm. **Figure 4**
7. Remove the cable entirely by pulling it out through the back of the flex arm. **Figure 4**



LIGHT CABLE INSTALLATION

8. Feed a fish tape through flex arm and through rigid arm.
9. Connect the end of the replacement light cord to the end of the fish tape with adhesive tape.
10. Using the fish tape, gently pull the light cord up through the light post and through the flex arm into the housing. Disconnect the fish tape. **Figure 5**
11. Reinstall the cable clamp to the housing to secure the light cord, and then gently pull any remaining slack back through the device. **Figure 6**
12. Reinstall the flex arm cover and the pivot cover to the flex arm. **Figure 7**

LIGHT SWITCH INSTALLATION

1. Using wire strippers, strip off 0.25 in. from both of the socket wires from the light head.
2. Using the supplied red butt connectors and a crimper (**Figure 8**):
 - Connect the Black cable wire to a White socket wire.
 - Connect the Violet cable wire to the remaining White socket wire.
 - Connect the White cable wire to the White Light Switch wire.



WARNING: Failure to properly connect the wiring may result in electrical shock and/or fire.

- Connect the Black & White cable wire to the Black & White Light Switch wire.
3. Align and seat the light switch into the housing. **Figure 8**
 4. Reinstall the housing cover. Ensure that the wiring is not being pinched between the covers. **Figure 9**
 5. Install a switch lever onto the light switch.

CONNECTING TO POWER

Connecting to a Chair Board or a Relay Board

1. Matching the light cable wire colors to the circuit board colors, plug each wire into the terminals:
 - Chair Board – J5 and J6.
 - Relay Board – J1 and J2.

Connecting to a Power Supply

1. Using the supplied adapter cable, insert the light cable wires into the WAGO connector. Ensure that the light cable wires correspond with the adapter cable wires.
2. Plug the adapter cable into the Red 6-Pin connector on the Power Supply.

Testing

1. Ensure that the light switch is in the “off” position, then connect the system to its power source.
2. Turn on the light and ensure that all of the functions work properly.

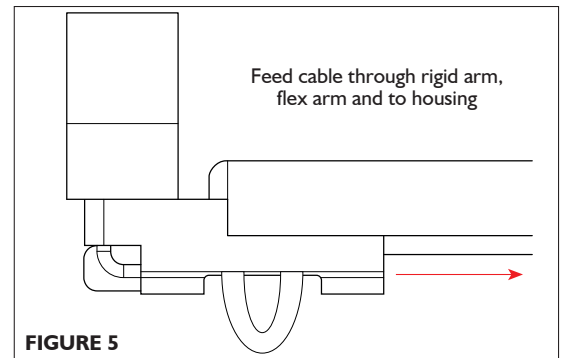


FIGURE 5

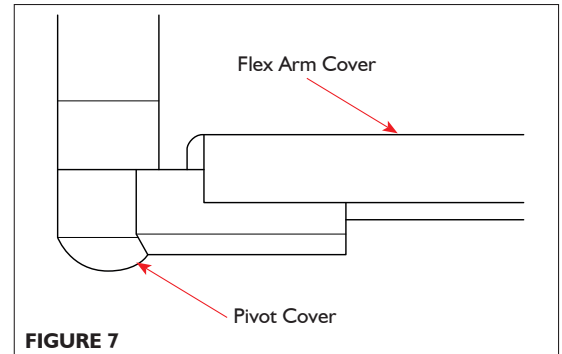


FIGURE 7

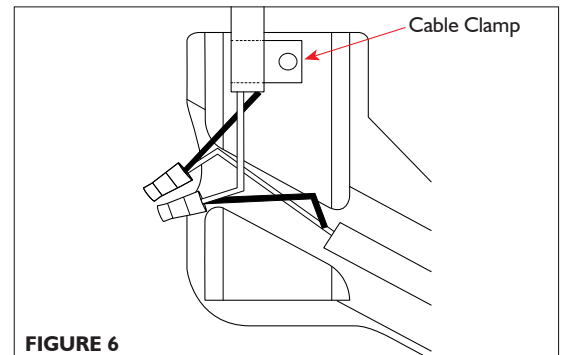


FIGURE 6

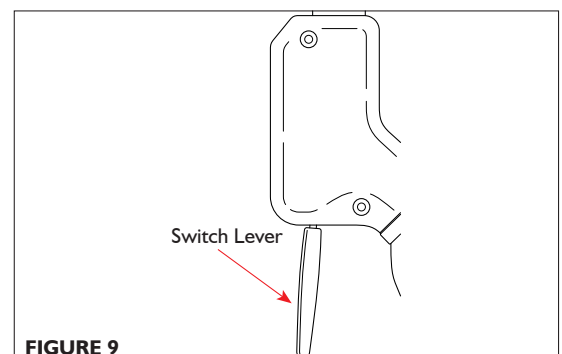
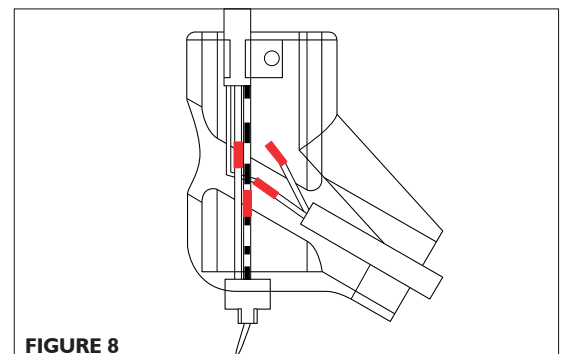


FIGURE 9