

# HVE KIT 5161

## Autoclavable



### Kit Includes:

- 3 HVE Valve Assemblies
- 2 Extra Center O-Rings
- 1 Swivel Quick Disconnect
- 1 Extra Tip O-Ring
- 1 Cleaning Brush
- 1 Extra Swivel O-Ring
- 1 Instructions
- 1 Extra HVE Bail

DCI Autoclavable valves are made of the finest materials available and can be sterilized by a variety of methods: steam autoclave, chemical vapor or dry heat.

**WARNING:** Failure to follow the precautions listed below will void the manufacturer's warranty.

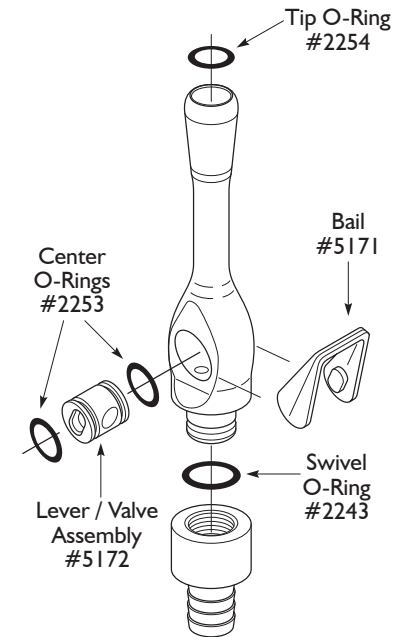
1. Avoid use of hypochlorite solutions or bleaching agents through the instrument. Prolonged use will cause damage to this instrument.
2. Sterilization temperatures should not exceed 270 degrees Fahrenheit (132 degrees Celsius).
3. Avoid contact of the instrument to sterilizer walls or being placed in close proximity of heating elements.

## CLEANING, DISINFECTING & STERILIZING

**Cleaning:** Clean all the surfaces with a mild detergent and water solution. Thoroughly rinse with clean water. Dry with a clean, soft, lint free cloth. **Caution:** Never use abrasive cleaners or pads.

**Disinfecting:** Always follow the manufacturers recommendation of the specific disinfectant you chose to use. Some disinfectants that will not adversely effect the performance of your vacuum valves are: BIREX SE, SPORICIDIN, COLDSPOR, PROCIDE SPRAY, STERALL SPRAY, ASEPTI-IDC, BIOCID, PROMEDYNE, IODO-FIVE, WESCODYNE & CAVICIDE.

**Sterilizing:** DCI Autoclavable Vacuum Valves can be sterilized by means of Steam Autoclave, Dry Heat, Ethylene Oxide, Gas or Chemical Vapor process. Regardless of the process you choose, temperatures should never exceed 270 degrees Fahrenheit or 132 degrees Celsius.



### SERVICE

- Lubrication:\***
1. To ensure smooth lever action, lubricate center o-rings.
  2. To ensure smooth Q.D. swivel, lubricate swivel o-ring.
  3. Replace any o-ring that becomes worn, nicked or cut.

\* Always use Silicone based lubricants such as DCI #8031.