

DCI III AUTO UNIT 4506

Installation and Operating Instructions

Package contains:

- Auto control unit with handpiece tubing and umbilical tubing
- Precision Comfort syringe
- Wet/Dry foot control
- Syringe repair kit

Tools needed:

- 1/4" and 1/8" sleeve tool
- Screwdriver or other appropriate hand tool for wall fasteners

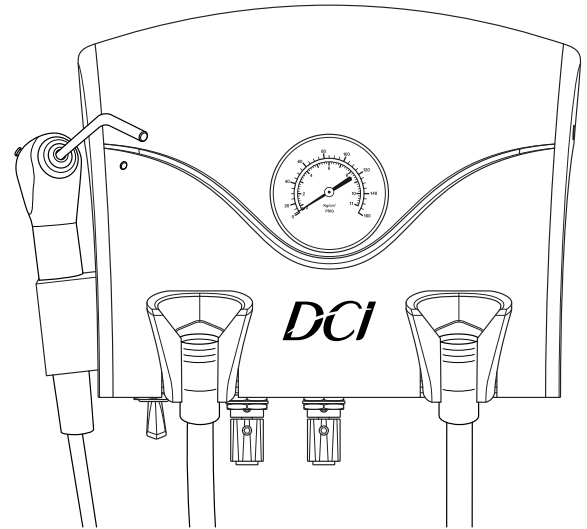


FIGURE 1

INSTALLATION INSTRUCTIONS

- 1. Cover:** Remove the screw retaining the cover to the chassis- located on the underside front using a 3/32" hex key. Lift cover up and remove from rear hinge.
- 2. Chassis:** Install unit chassis to wall using the two outside holes provided in the back of the chassis on a surface that will support the weight of the unit using appropriate fasteners for the material the unit is being mounted to. See Figure 2.
- 3. Umbilical tubing:** Run unit umbilical tubings into junction box. Connect proper tubings to utility center:
 - 1/8" Red - Water supply
 - 1/8" Clear - Unregulated Air Supply to master switch
 - 1/8" Yellow - Signal Air to shut-off blocks
 - 1/4" Gray - Regulated drive air/air coolant
 - 8 conductor low voltage power cord - as needed
- 4. Water and Air Supply:** Open the manual shut-off valves in the utility center. Adjust regulated air to 80 psi and regulated water to 40 psi. When adjusting for a lower pressure, make the adjustment, and then press the syringe button to relieve the pressure to get an accurate pressure reading.

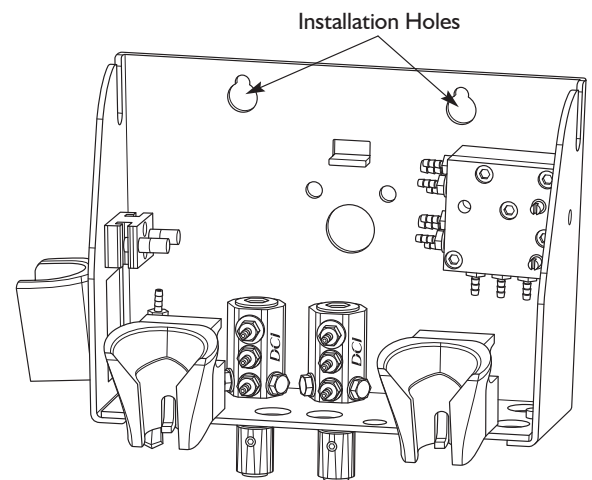


FIGURE 2

OPERATING INSTRUCTIONS AND UNIT FEATURES

HANDPIECE HOLDERS

The handpiece holders are designed to resist chemical discoloration and be easy to clean.

CONTROLS

The master on/off toggle controls air and water to the system. It is located on the underside of the control unit on the rear left side.

The water coolant flow control knobs to the handpiece are located on the underside of the control unit on the rear side. The one on the left controls the left side handpiece and the one on the right controls the right side handpiece.

The drive air pressure gauge indicates the operating pressure of the selected handpiece. It is located on the center of the unit cover.

The hand piece drive air adjustment and the syringe air and water flow controls are located inside the control unit. To gain access, remove the cover using a 3/32" hex key, lift the cover up and remove from rear hinge. Handpiece drive air should be adjusted to the handpiece manufacturer's recommendation. To adjust syringe air and water flow, turn the thumbscrews counterclockwise to increase air or water flow, clockwise to decrease flow. See Figure 3.

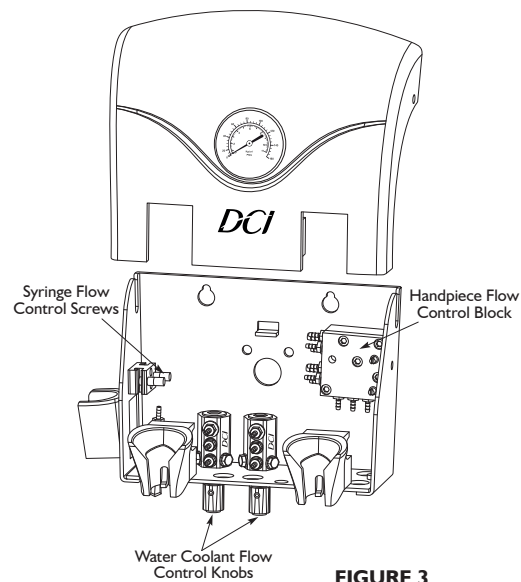


FIGURE 3

SYRINGE

The #4506 comes with a Precision Comfort syringe. The syringe is packaged in a shipping envelope, with operating instructions and a repair kit attached. The syringe goes in the holder on the far left side of the unit chassis. Adjustment screws for the air and water flow to the syringe are located inside. See Controls section for access and location of air and water flow.

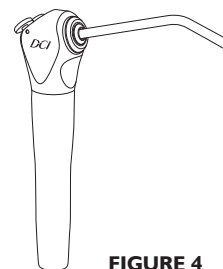


FIGURE 4

FOOT CONTROL

Handpiece speed is controlled with the foot control disc. Varying pressure on the foot control disc controls speed. Air coolant is also provided when you step on the foot control.

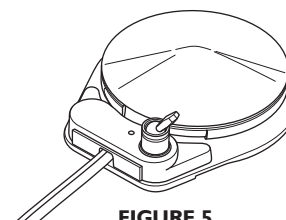


FIGURE 5

CONTROL HEAD

The control head can be cleaned with most commonly available surface disinfectants. Do not use any Sodium Hypochloride solutions, or any cleansers containing alcohol. These may cause paint and finish discoloration.

DENTAL UNIT WATER LINE MAINTENANCE

Distilled water is not recommended for use in dental units. The Centers for Disease Control and the American Dental Association can provide recommendations on when to flush your system, for how long, and what products to

CLEANING AND MAINTENANCE

Do not use powdered cleansers, scouring pads, or abrasive scrubbers on any of the finished metal surfaces in this unit, i.e. the syringe or the foot control disc. Sodium Hypochloride will also damage these surfaces.

