

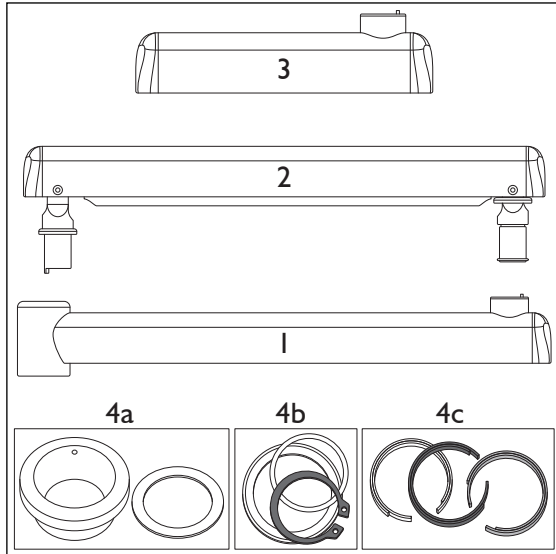
34 AND 50 INCH DCI FLEX ARM Installation & Operating Instructions



Tools needed:

- Allen wrench selection
- Post leveling tool

Kit Content:



Item	Description
1	Rigid Arm Assembly
2	Flex Arm Assembly
3	Unit Mount Rigid Arm
4	Hardware: <ul style="list-style-type: none"> a. Collar Stop Post, Stop washer b. Snap ring, Spacer, Knuckle Cover c. Bearing strips

- Installing Arm:** Place bearing strips into the grooves inside the hub portion and then slide the hub portion of the unit arm down the post on top of the collar. Note: Additional bearing strips are provided with different thicknesses due to variances in finishes on posts. Use appropriate bearing strips in the arm hub to provide smooth action with no hub to post play.

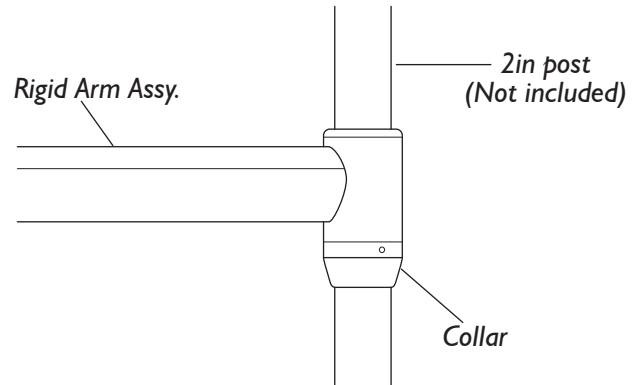


Figure 2. Steps 3 – 5 Rigid Arm to Post Installation

- Supply Tubing:** Refer to appropriate dental unit installation instructions for correct tubing hookup. The black tubing in flex arm should be routed to unit head and hooked up to a momentary 'brake' 3-way toggle that is normally open.
- Attach Flex Arm:** Attach the Flex Arm to the Unit Mount Rigid Arm. Replace covers on ends of Unit Mount Rigid Arm. Raise Knuckle cover and install two dowel pins into bracket assembly. See Figure 3.

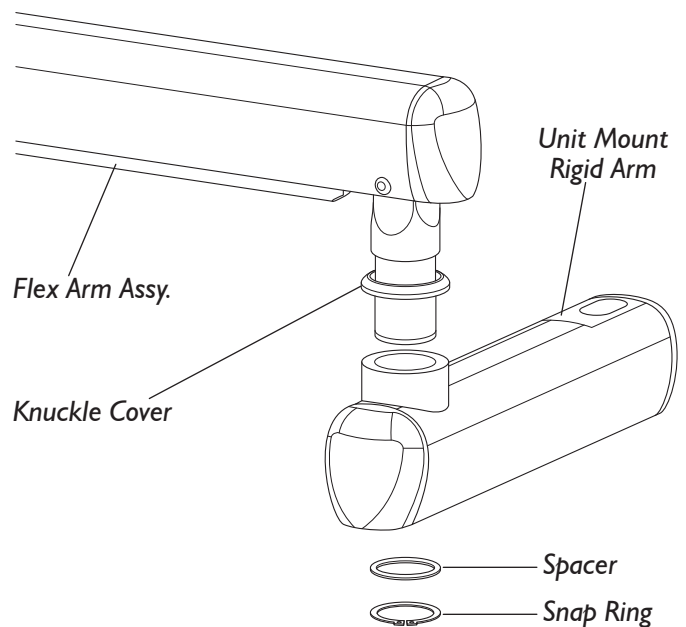


Figure 3. Attach Flex Arm to Unit Mount Rigid Arm

INSTALLATION INSTRUCTIONS

- Remove belly strips from the Flex Arm Assembly (Item 2) and Rigid Arm Assembly (Item 1).
- Remove end caps from Item 1 and Item 3.
- Post (not included):** Install a 2 inch post in the chair adapter of the dental chair. Level the post utilizing the manufacturer's post leveling adjustments. To prevent unit from drifting, the post must be leveled.
- Collar:** Slide the collar onto the post to the desired height of the rigid section of the flex arm in relation to the seat of the chair. Tighten the 3 set screws in the side of the collar with a 3/32in hex key. **Note:** Some chair seats will rise as the patient is put in the supine position. Be sure to place the collar with the chair in this position. Slide the plastic washer on top of the collar.

8. Install Flex Arm to Post Mount Rigid Arm:

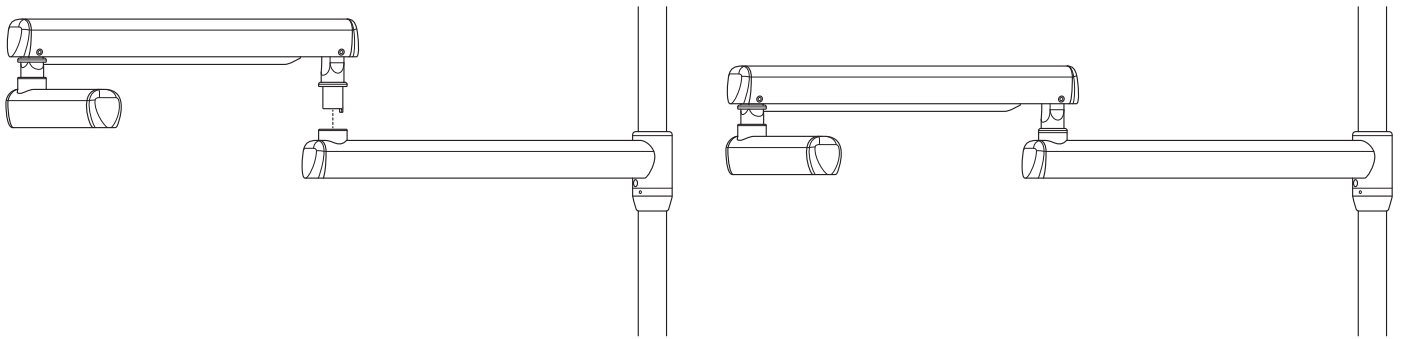


Figure 4. Install Flex Arm onto Post Mount Rigid Arm

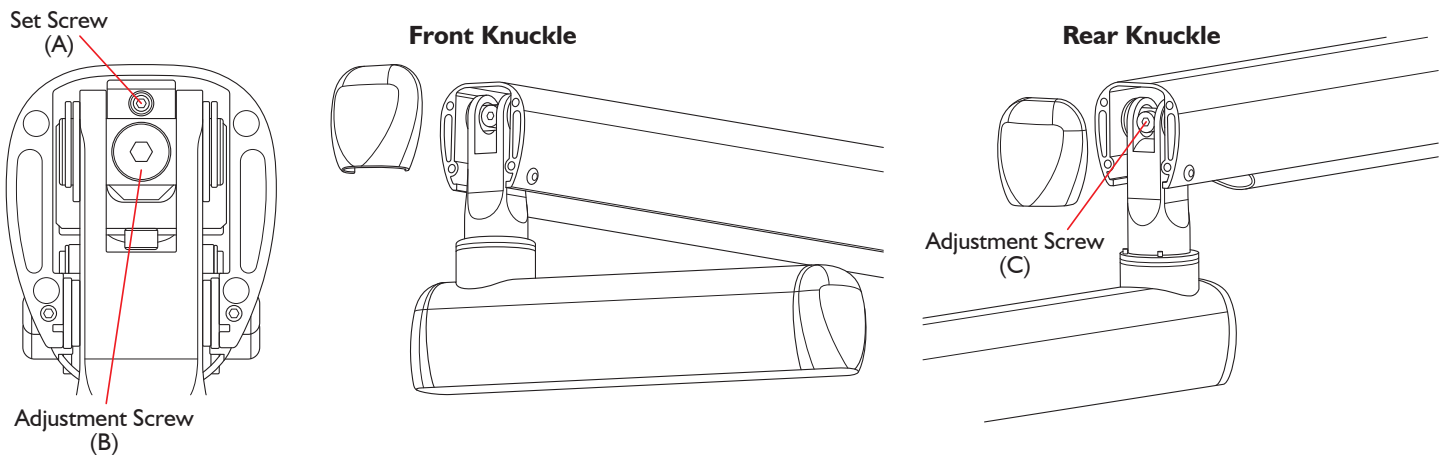
OPERATION OF FLEX ARM AND FEATURES

Flex Arm Spring Tension

The Flex Arm is preset at the factory, however it may be necessary to re-adjust tension to the user's needs. After adjusting the spring tension, the delivery system head must be leveled.

To Increase or Decrease Flex Arm Spring Tension:

1. Remove the Front and Rear Knuckle Covers from the flex arm.
2. Loosen the set screw, 5 turns, in the knuckle block, located above and behind the front knuckle adjustment screw **(A)**, with a 3/32in hex key.
3. **Decrease** the spring tension by rotating the adjustment screw **(B)** in the **front knuckle** clockwise with a 3/16in hex key.
4. **Increase** the spring tension by rotating the adjustment screw **(C)** in the **rear knuckle** clockwise with a 3/16in hex key.
5. When adjustment is complete, retighten the stop block set screw.
6. Replace the knuckle covers.



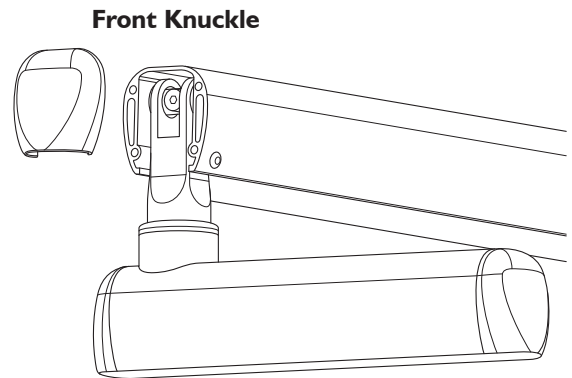
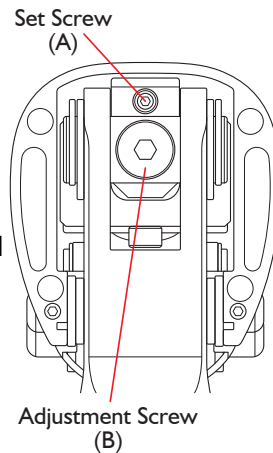
WARNING: Do not attempt to decrease spring tension by rotating the adjustment screw in the rear knuckle counterclockwise. This might thread the screw out of the control rod causing the delivery system to drop suddenly, damaging the equipment and the operator.

Delivery System Rigid Arm Leveling

Leveling of the delivery system will be necessary when the dental unit is first installed and any time that the flex arm spring tension has been adjusted.

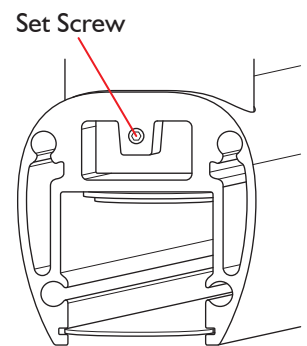
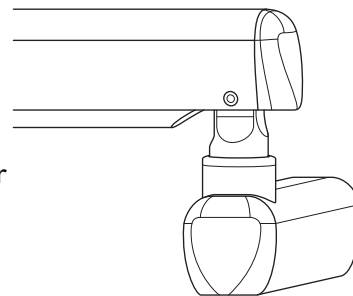
To Adjust Rigid Arm Angle:

1. Remove the Front Knuckle Cover from the flex arm.
2. Loosen the set screw, 5 turns, in the stop block located above and behind the front knuckle.
3. Using a small torpedo level, place it on the unit head in line with the short rigid arm and the front knuckle.
4. Increase or decrease the unit head angle by turning the adjustment screw in the front knuckle clockwise or counterclockwise.
5. When the unit head is level, retighten the set screw in the stop block to secure the adjustment.
6. Replace the knuckle cover.



Delivery System Rigid Arm Rotational Tension

1. Remove the rear cover from the short rigid arm.
2. Using a 3/32in hex key, increase or decrease swivel tension by turning the set screw clockwise or counter-clockwise.
3. When desired tension is achieved, replace the rear cover.



Flex Arm Rotational Tension

1. Remove the cover from the post mounted rigid arm.
2. Using a 3/32in hex key, increase or decrease swivel tension by turning the set screw clockwise or counter-clockwise.
3. When desired tension is achieved, replace the cover.

